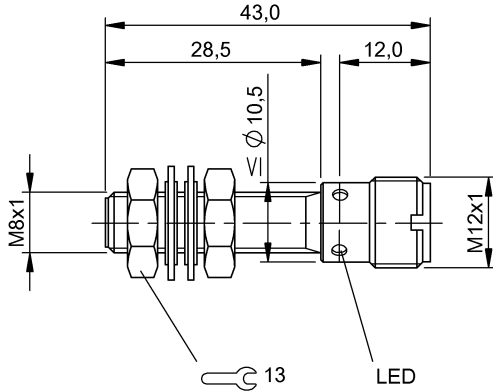


BES M08EE-PSC15B-S04G-003
Ordering code: BES00CH

Inductive sensor
 Global
 M08x43 mm

DC, direct current
 PNP/Normally open (NO)
 Sn= 1,5 mm
 Flush (shielded)

BALLUFF
sensors worldwide



Characteristic data

Assured operating distance Sa	1,2
Eff. switching distance Sr	1,5 mm
Tolerance Sr	±10 %
Hysteresis H max. (in % of Sr)	15 %
Repeat accur. R max. (% of Sr)	5 %
Ambient temperature	-25...70 °C
Temp. drift max. (% of Sr)	10 %
Switching freq. f max.	1000 Hz
Ready delay tv max.	20 ms
Utilisation category	DC 13
Function indicator	Yes
Power indicator	No
Short-circuit protected	Yes
Protected against polarity reversal	Yes
Protected against miswiring	Yes
Enclosure Type per IEC 60529	IP67
Principle of operation	Inductive

Electrical data

Operating voltage	10...30 V DC
Ripple max. (% of Ue)	15
Rated operating voltage Ue DC	24 V
Voltage drop static max.	2,5 V
Rated insulation voltage Ui	250 AC
Effective operating current Ie	200 mA

No-load current Io damped max.	9 mA
Max. no-load cur. Io undamped	3 mA
Off-state current Ir max.	20 µA
Minimum operating current Im	0 mA
Rated short circuit current	100 A
Output resistance Ra	33.0k + D
Load capacitance max. (at Ue)	0,5 µF

Mechanical data

Connection type	Connector
Connector type	M12x1-S04
Housing material	Stainless steel
Sensing surface material	PBT
Mounting length	28 mm
Shock rating	Shock, half-sinus, 30 gn, 11ms
Vibration rating	55 Hz, 1 mm ampl., 3x30 min
Degree of contamination	3
Tightening torque	8 Nm

Basic data

Basic standard	IEC 60947-5-2
----------------	---------------

Remarks

The sensor is functional again after the overload has been eliminated.
 With connector, e.g. BKS-S 20-... total length = switch length +18 mm.



BES M08EE-PSC15B-S04G-003
Ordering code: BES00CH

Inductive sensor
Global
M08x43 mm

DC, direct current
PNP/Normally open (NO)
Sn= 1,5 mm
Flush (shielded)

BALLUFF
sensors worldwide

