

Low voltage current transformers for industrial applications

Tube current transformers

ASR 14.3

NEW

Round conductor
Transformer width

Ø 14 mm
45 mm



ASR 20.3

Round conductor
Transformer width

Ø 21 mm
45 mm



ASR 201.3

without locking cap

Round conductor
Transformer width

Ø 21 mm
44 mm



ASR 21.3

Round conductor
Transformer width

Ø 22.5 mm
49.5 mm



ASR 21.5

Round conductor
Transformer width

Ø 21 mm
50 mm



ASR 22.3

ASR 22.3 2U

Round conductor
Transformer width

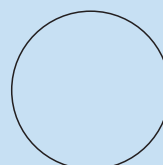
Ø 22.5 mm
61 mm



ASR 42.45

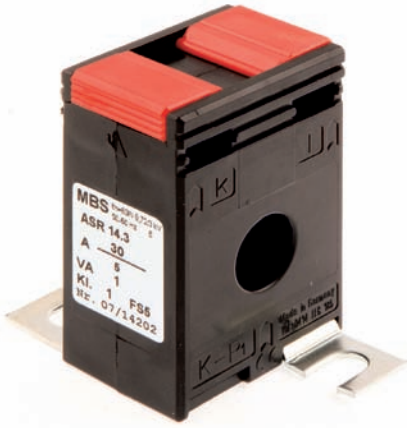
Round conductor
Transformer width
Transformer depth

Ø 42 mm
71 mm
45 mm

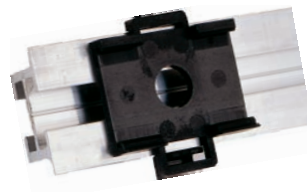
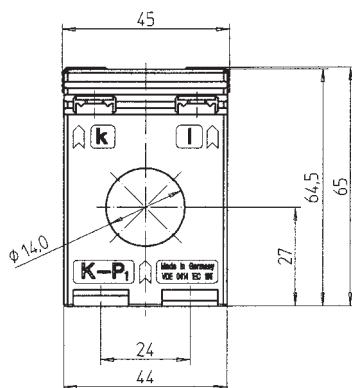
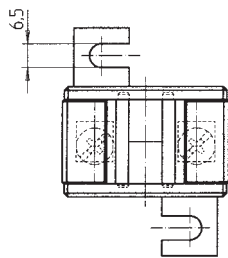
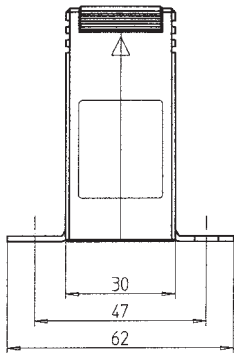


ASR 14.3

Tube current transformer



Secondary current		5A		1A	
Primary current A	Burden VA	Accuracy class		Accuracy class	
		1	0.5	1	0.5
		Art.-no.	Art.-no.	Art.-no.	Art.-no.
30	1	26080		26280	
40	1	26081		26281	
50	1.5	26082		26282	
60	1.5	26083		26283	
75	1.5	26084		26284	

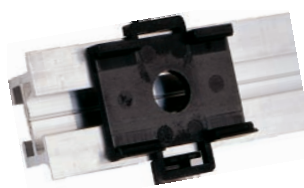
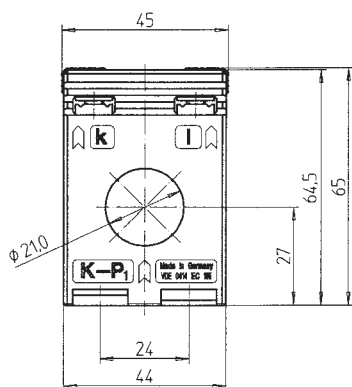
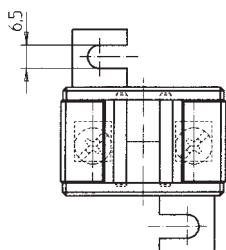
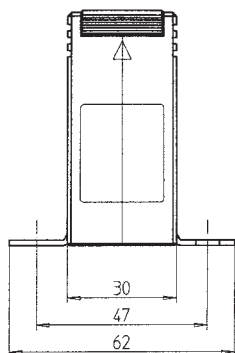


Snap-on mounting

Primary conductor	
Round conductor	Ø 14.0 mm
Transformer width	45 mm
Snap-on mounting	Art.-no. 55013 see page 204
Sealed shutter	—
Copper tubes	see page 204

ASR 20.3

Tube current transformer



Snap-on mounting

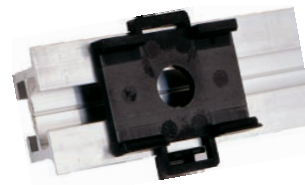
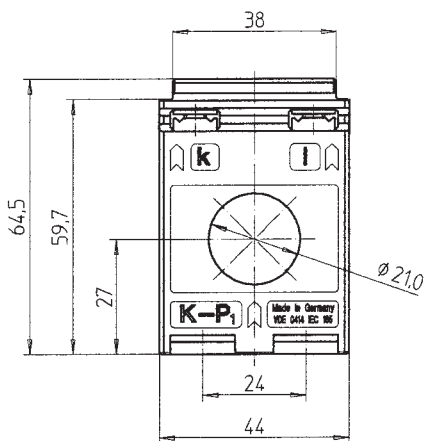
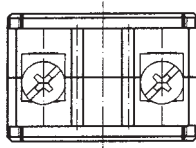
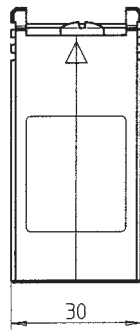
Secondary current		5A			1A		
Primary current A	Burden VA	Accuracy class			Accuracy class		
		3	1	0.5	3	1	0.5
		Art.-no.	Art.-no.	Art.-no.	Art.-no.		
50	1	26027			26227		
60	1		26028			26228	
	1.25	26029			26229		
75	1.25		26030			26230	
	1.5		26031			26231	
80	1.25		26032			26232	
	1.5		26033			26233	
100	1.5		26034	26011		26234	26211
	2.5		26035			26235	
125	1.5		26036	26013		26236	26213
	2.5		26037	26014		26237	26214
	3.75				26238		
150	1.5		26039	26015		26239	26215
	2.5		26040	26016		26240	26216
	3.75		26041			26241	
200	1.5		26042	26017		26242	26217
	2.5		26043	26018		26243	26218
	3.75		26044	26019		26244	26219
250	2.5		26045	26020		26245	26220
	5		26046	26021		26246	26221
300	2.5		26048	26022		26248	26222
	5		26049	26023		26249	26223

Primary conductor	
Round conductor	Ø 21.0 mm
Transformer width	45 mm
Snap-on mounting	Art.-no. 55013 see page 204
Sealed shutter	—
Copper tubes	see page 204



ASR 201.3

Tube current transformer



Snap-on mounting

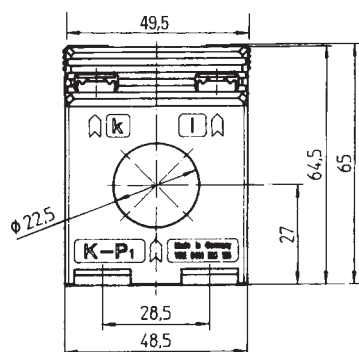
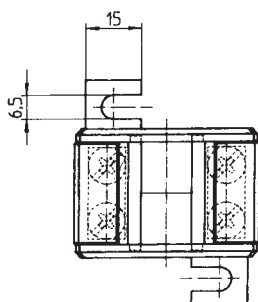
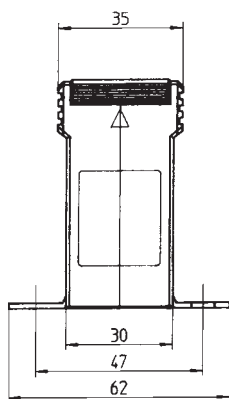
Secondary current		5A			1A		
Primary current A	Burden VA	Accuracy class			Accuracy class		
		3	1	0.5	3	1	0.5
		Art.-no.	Art.-no.	Art.-no.	Art.-no.		
50	1	27027			27227		
60	1		27028			27228	
	1.25	27029			27229		
75	1.25		27030			27230	
	1.5		27031			27231	
80	1.25		27032			27232	
	1.5		27033			27233	
100	1.5		27034	27011		27234	27211
	2.5		27035			27235	
125	1.5		27036	27013	27238	27236	27213
	2.5		27037	27014		27237	27214
	3.75						
150	1.5		27039	27015		27239	27215
	2.5		27040	27016		27240	27216
	3.75		27041			27241	
200	1.5		27042	27017		27242	27217
	2.5		27043	27018		27243	27218
	3.75		27044	27019		27244	27219
250	2.5		27045	27020		27245	27220
	5		27046	27021		27246	27221
300	2.5		27048	27022		27248	27222
	5		27049	27023		27249	27223

Primary conductor	
Round conductor	Ø 21.0 mm
Transformer width	44 mm
Snap-on mounting	Art.-no. 55013 see page 204
Sealed shutter	—
Copper tubes	see page 204

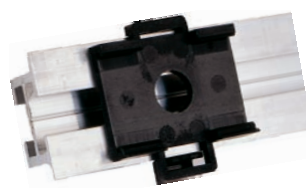


ASR 21.3

Tube current transformer



Secondary current		5A	1A
Primary current A	Burden VA	Accuracy class	Accuracy class
		1	1
		Art.-no.	Art.-no.
100	1	1023	1223
150	1.5	1024	1224
	2.5	1026	1226
200	1.5	1027	1227
	2.5	1028	1228
	5	1029	1229
250	1.5	1030	1230
	2.5	1031	1231
300	1.5	1032	1232
	2.5	1033	1233
	5	1034	1234
400	2.5	1035	1235
	5	1036	1236
	10	1037	1237
500	2.5	1038	1238
	5	1039	1239
	10	1040	1240
600	2.5	1041	1241
	5	1042	1242
	10		



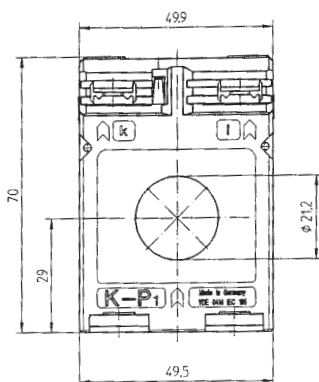
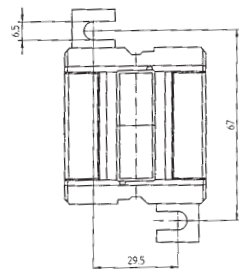
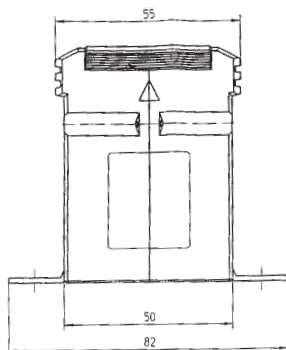
Snap-on mounting

Primary conductor	
Round conductor	Ø 22.5 mm
Transformer width	49.5 mm
Snap-on mounting	Art.-no. 55014 see page 204
Sealed shutter	—
Copper tubes	see page 204



ASR 21.5

Tube current transformer



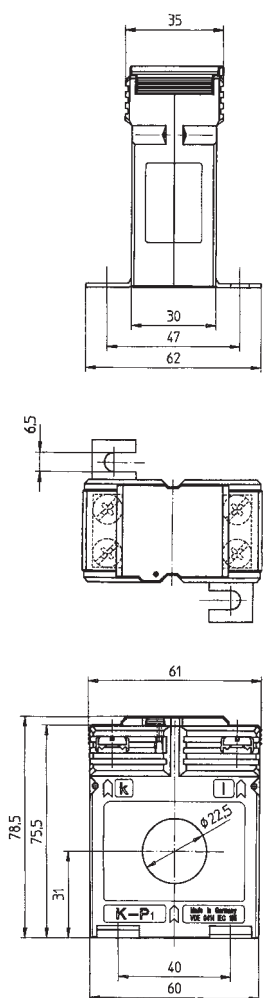
Secondary current		5A		1A	
Primary current A	Burden VA	Accuracy class		Accuracy class	
		1	0.5	1	0.5
		Art.-no.	Art.-no.	Art.-no.	Art.-no.
50	1.5	93050	93011	93250	93211
	2.5	93051		93251	
60	1.5	93052	93012	93252	93212
	2.5	93053		93253	
	3.75	93054		93254	
75	1.5	93055	93013	93255	93213
	2.5	93056		93256	
	3.75	93057		93257	
80	1.5	93058	93014	93258	93214
	2.5	93059		93259	
	5	93060		93260	
100	1.5	93061	93015	93261	93215
	2.5	93062	93016	93262	93216
	5	93063		93263	
125	1.5	93064	93017	93264	93217
	2.5	93065	93018	93265	93218
	5	93066		93266	
150	2.5	93067	93019	93267	93219
	5	93068	93020	93268	93220
	10	93069		93269	
200	2.5	93070	93021	93270	93221
	5	93071	93022	93271	93222
	10	93072	93023	93272	93223
	15	93073		93273	
250	2.5	93074	93024	93274	93224
	5	93075	93025	93275	93225
	10	93076	93026	93276	93226
	15	93077		93277	
300	2.5	93078	93027	93278	93227
	5	93079	93028	93279	93228
	10	93080	93029	93280	93229
	15	93081	93030	93281	93230
400	2.5	93082	93031	93282	93231
	5	93083	93032	93283	93232
	10	93084	93033	93284	93233
	15	93085	93034	93285	93234
500	2.5	93086	93035	93286	93235
	5	93087	93036	93287	93236
	10	93088	93037	93288	93237
	15	93089	93038	93289	93238
600	2.5	93090	93039	93290	93239
	5	93091	93040	93291	93240
	10	93092	93041	93292	93241
	15	93093	93042	93293	93242

Primary conductor	
Round conductor	Ø 21.0 mm
Transformer width	50 mm
Snap-on mounting	—
Sealed shutter	—
Copper tubes	see page 204



ASR 22.3

Tube current transformer



Secondary current		5A			1A	
Primary current A	Burden VA	Accuracy class			Accuracy class	
		1	0.5	0.2s	1	0.5
		Art.-no.	Art.-no.	Art.-no.	Art.-no.	Art.-no.
40	1	3034			3234	
50	1	3035			3235	
	1.5	3036			3236	
60	1	3037			3237	
	1.5	3038			3238	
75	1.5	3039			3239	
	2.5	3040			3240	
80	1.5	3041			3241	
	2.5	3042			3242	
100	1.5	3043	3011	V04-1304C	3243	3211
	2.5	3044	3134		3244	3334
	3.75	3045			3245	
150	1.5	3046	3012	V04-1604C	3246	3212
	2.5	3047	3013	V04-1604D	3247	3213
	5	3048	3138		3248	3338
200	1.5	3049	3014		3249	3214
	2.5	3050	3015	V04-1704D	3250	3215
	5	3051	3016	V04-1704F	3251	3216
	10	3051				
250	1.5	3052	3017		3252	3217
	2.5	3052	3018	V04-1804D	3252	3218
	5	3053	3019	V04-1804F	3253	3219
	10	3054	3020		3254	3220
	15	3055			3255	
300	2.5	3056	3022	V04-1904D	3256	3222
	5	3057	3023	V04-1904F	3257	3223
	10	3058	3024		3258	3224
	15	3059			3259	
400	2.5	3060	3025	V04-2004D	3260	3225
	5	3061	3026	V04-2004F	3261	3226
	10	3062	3027		3262	3227
	15	3063			3263	
500	2.5	3064	3028	V04-2104D	3264	3228
	5	3065	3029	V04-2104F	3265	3229
	10	3066	3030	V04-2104H	3266	3230
	15	3067			3267	
600	2.5	3068	3031	V04-2204D	3268	3231
	5	3069	3032	V04-2204F	3269	3232
	10	3070	3033	V04-2204H	3270	3233
	15	3071			3271	

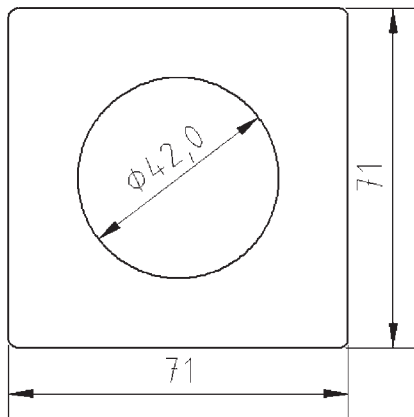
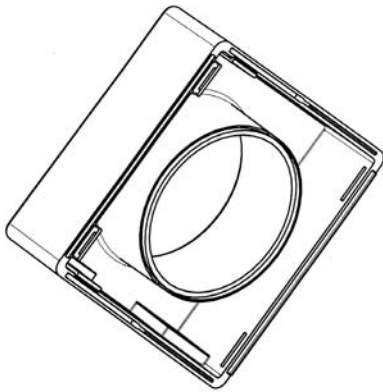
ASR 22.3 2U

Primary conductor	Ø 22.5 mm
Round conductor	Ø 22.5 mm
Transformer width	61 mm
Snap-on mounting	Art.-no. 53011 see page 204
Sealed shutter	Art.-no. 59040 see page 205
Copper tubes	see page 204
Protection plug-in current transformer	see page 125
Current transformer for tariff applications	see page 167

Secondary current		5A	1A
Primary current A	Burden VA	Accuracy class	Accuracy class
		1	1
		Art.-no.	Art.-no.
200-100	5-2.5	3111	3311
300-150	5-2.5	3112	3312
	10-5	3113	3313
400-200	5-2.5	3114	3314
	10-5	3115	3315
500-250	5-2.5	3116	3316
	10-5	3117	3317
600-300	5-2.5	3118	3318
	10-5	3119	3319

ASR 42.45

Tube current transformer



Secondary current		5A	1A
Primary current A	Burden VA	Accuracy class	Accuracy class
		1	1
		Art.-no.	Art.-no.
150	1.5	26500	26600
	2.5	26501	26601
200	1.5	26502	26602
	2.5	26503	26603
	5	26504	26604
250	1.5	26505	26605
	2.5	26506	26606
	5	26507	26607
	7.5	26508	26608
300	2.5	26509	26609
	5	26510	26610
	10	26511	26611
400	2.5	26512	26612
	5	26513	26613
	10	26514	26614
500	2.5	26515	26615
	5	26516	26616
	10	26517	26617
	15	26518	26618
600	2.5	26519	26619
	5	26520	26620
	10	26521	26621
	15	26522	26622
750	2.5	26523	26623
	5	26524	26624
	10	26525	26625
	15	26526	26626
800	5	26527	26627
	10	26528	26628
	15	26529	26629
	30	26530	26630
	1000	5	26531
1000	10	26532	26632
	15	26533	26633
	30	26534	26634

Connection cable 2.5 mm², 400 mm long.

The wire ends are complete with multi-bush wire ends.

Primary conductor	
Round conductor	Ø 42 mm
Transformer width	71 mm
Transformer depth	45 mm
Snap-on mounting	—
Sealed shutter	—