



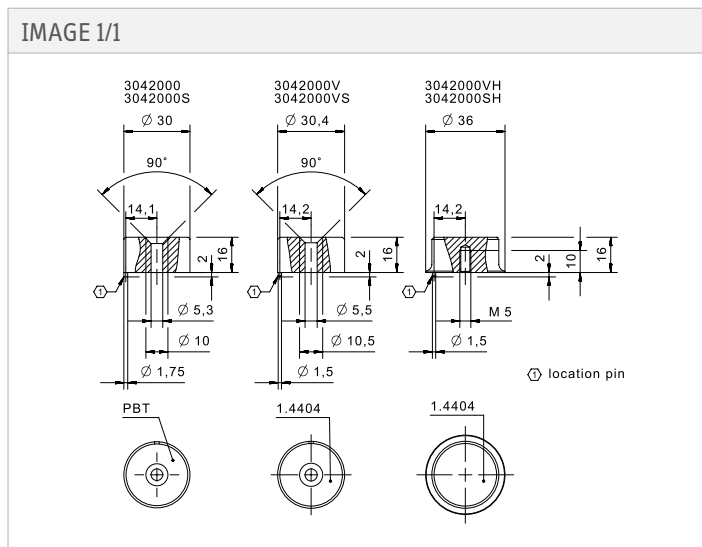
## Actuator 30420000

The 30420000 actuator is for use with the 120..2, 171 and 671 safety sensors and is suitable for a wide range of applications.

### Product characteristics

- Can be used in adverse environmental conditions thanks to the stainless steel housing
- Hygienic design available

### Technical drawing



## Product options

IMAGE 1/1

### ORDERING KEY

304 200 00		
S		Increased switching distance - plastic
V		Standard - stainless steel
V	S	Increased switching distance - stainless steel
V	H	Standard - stainless steel hygienic version
S	H	Increased switching distance - stainless steel hygienic version

## Properties

Attribute	30420000	30420000S	30420000SH	30420000V	30420000VH	30420000VS
Coding acc. to EN ISO 14119	Low					
Suitable for sensor type(s)	171 / 671 / 120..2 / 171K / 117					

## Mechanical data

Attribute	30420000	30420000S	30420000SH	30420000V	30420000VH	30420000VS
Dimensions	30x16		36x16	30.4x16	36x16	30.4x16

## Material information

Attribute	30420000	30420000S	30420000SH	30420000V	30420000VH	30420000VS
Housing material	PBT		1.4404			
Housing colour	schwarz		silber			

## Installation

Attribute	30420000	30420000S	30420000SH	30420000V	30420000VH	30420000VS
Mounting type	screwed					