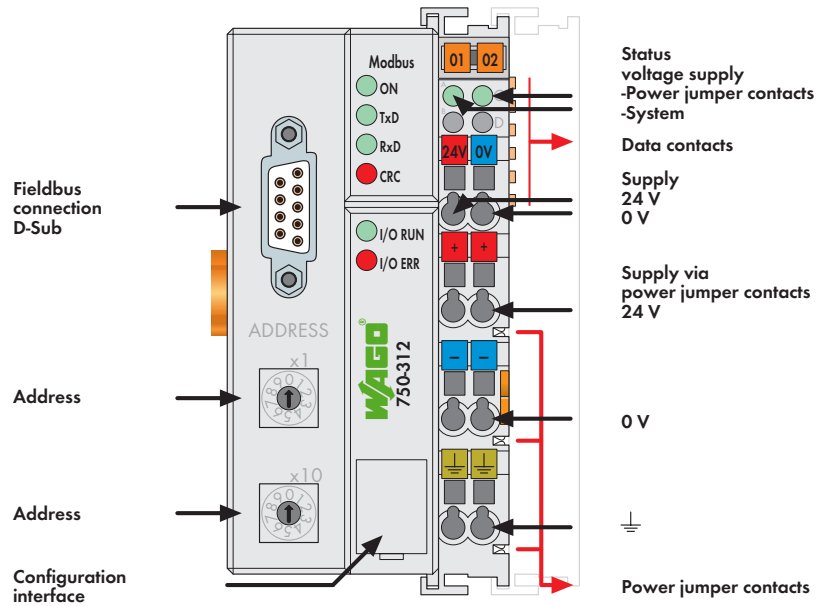


# 750-312, 750-314, 750-315, 750-316

## MODBUS Fieldbus Coupler

RS 232/485; 150 (1200) baud ... 19.2 (115.2) Kbaud; digital and analog signals




This buscoupler allows connection of the WAGO-I/O-SYSTEM as a slave to the MODBUS fieldbus.

The buscoupler automatically configures, creating a local process image which may include analog, digital or specialty modules. Analog and specialty module data is sent via words and/or bytes, digital data is sent bit by bit.

The data of the analog modules is stored in the process image which is created automatically according to the order in which the modules are connected to the buscoupler. The bits of the digital modules are sent byte by byte and added to the analog data. If the amount of digital information exceeds 8 bits, the buscoupler automatically starts with a new byte.

When implementing new installations, please consider 750-812, 750-814, 750-815 and 750-816 Fieldbus Controllers (page 78) with extended functions.

Description	Item No.	Pack. Unit
MODBUS / RS 485 / 150 ... 19200 Bd	750-312	1
MODBUS / RS 232 / 150 ... 19200 Bd	750-314	1
MODBUS / RS 485 / 1.2 ... 115.2 kBd	750-315	1
MODBUS / RS 232 / 1.2 ... 115.2 kBd	750-316	1
<b>Accessories</b>		
<b>Miniature WSB Quick marking system</b>		
 plain	248-501	5
with marking	see pages 352 ... 353	
<b>Approvals</b>		
Also see "Approvals Overview" in Section 1		
Conformity marking	CE	
Shipbuilding	ABS, BV, DNV, GL, KR, LR, NKK, PRS, RINA	
UL 508	UL 508	
ANSI/ISA 12.12.01	Class I, Div. 2, Grp. ABCD, T4	
IEC 60079-0, -15	BR-Ex nA II T4	750-314 750-315 750-316
EN 60079-0, -15	I M2 / II 3 GD Ex nA nL IIC T4	
EN 61241-0, -1		

System Data	
No. of couplers connected to Master	99 with repeater
Max. no. of I/O points	approx. 6000 (depends on master)
Transmission medium	Shielded Cu cable 2 (4) x 0.25 mm <sup>2</sup>
Max. length of fieldbus segment	1200 m (depends on baud rate/cable)
Baud rate	150 baud ... 19200 baud (750-312, 750-314) 1.2 Kbaud ... 115.2 Kbaud (750-315, 750-316)
Buscoupler connection	1 x D-Sub 9; socket

