

Ruggedized Hollow shaft encoder, Incremental

- Robust Ø58 mm encoder with hollow shaft
- Short-circuited protected outputs
- IP67 at housing, IP66 at shaft inlet



Encoder configuration

Type	RHI
Model	503 Standard
Shaft type	Ø14 mm blind hollow shaft
Flange type	58/59-flange with stator coupling
Resolution	4096 ppr
Power supply	9-30 Vdc
Output signal	HTL
Connection type	M12 connector 8-pin
Connecting direction	Radial
Number of channels	6

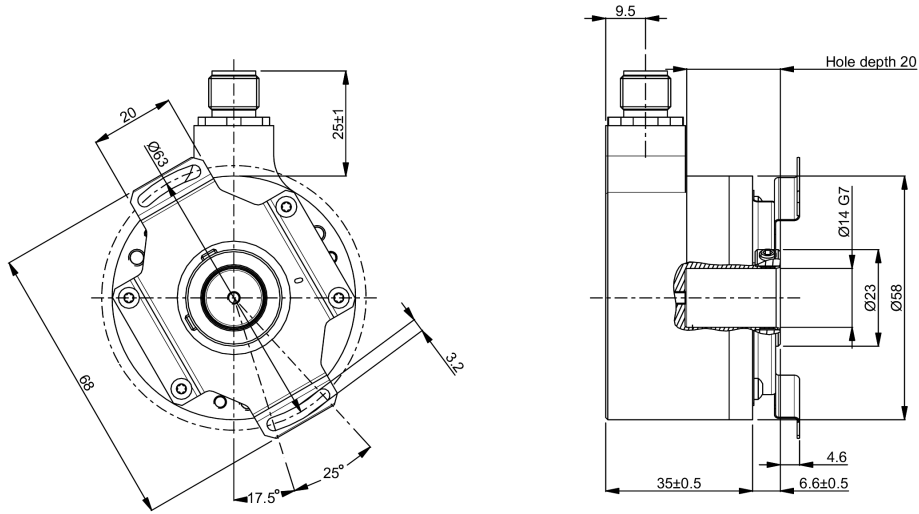
Mechanical data

Operating temperature	-40 °C...+70 °C
Ingress protection class [IEC 60529]	IP67 (IP66 at shaft inlet)
Vibration [IEC 60068-2-64]	≤ 300 m/s ²
Shock [IEC 60068-2-27]	≤ 2000 m/s ²
Shaft load (axial/radial)	10 N / 20 N
Rotational speed max	6000 rpm
Shaft material	Stainless steel
Cover material	Aluminium
Weight	300 g

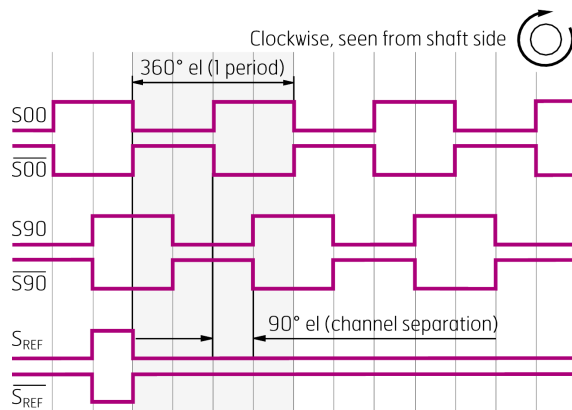
Electrical data

Polarity protected	Yes
Short circuit protected	Yes
Current consumption	50 mA at 24 Vdc (Max. 75 mA)
Incremental output load (max)	± 40 mA
Output frequency max	300 kHz
Cable length max	100 m at 100 kHz
Channel separation	90 °el ± 25 °el
Dividing error	± 50 °el
MTTFd value [Years]	1111

Dimensions

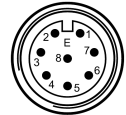


Output signal



Pin Configuration

Function	Pin
S90 inverted	1
Sref	2
S90	3
S00	4
S00 inverted	5
Sref inverted	6
0 Volt	7
+E Volt	8



Order information

Part number

574978-03