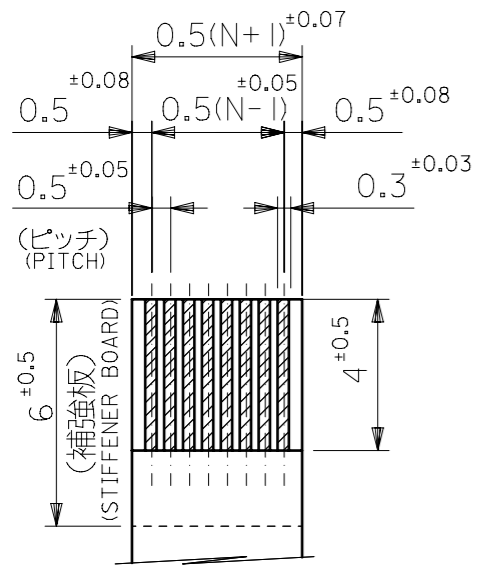


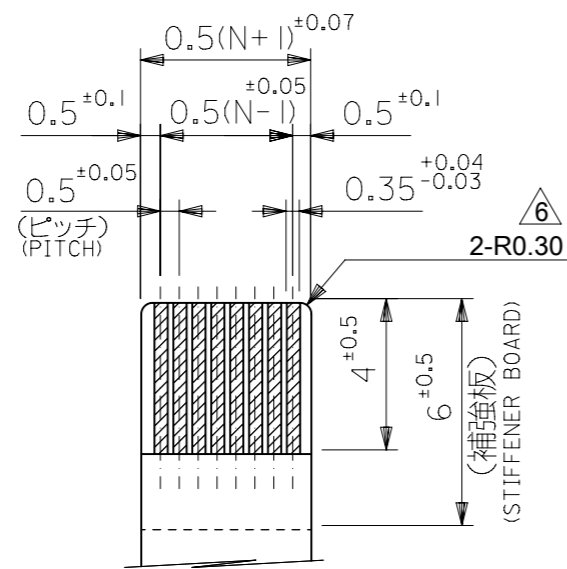
注記 NOTES

- 材質 MATERIAL
 ハウジング : ポリアミド (PA)、ガラス充填、ナチュラル (白)、UL94V-0
 HOUSING : POLYAMIDE, GLASS FILLED, NATURAL, UL94V-0
 アクチュエータ : ポリフェニレンサルファイド (PPS)、ガラス充填、ナチュラル、UL94V-0
 ACTUATOR : POLYPHENYLENE SULFIDE, GLASS FILLED, NATURAL (BROWN), UL94V-0
 ターミナル : 銅合金 (t=0.2)
 TERMINAL : COPPER ALLOY (t=0.2)
 金具 : 銅合金 (t=0.4)
 NAIL : COPPER ALLOY (t=0.4)
- めっき仕様 PLATING
 ターミナル TERMINAL
 錫銀ビスマスめっき (1.0μm以上)
 下地 : ニッケルめっき (1.0μm以上)
 TIN SILVER BISMUTH PLATING
 (1.0 MICROMETER MINIMUM)
 UNDER PLATE : NICKEL PLATING
 (1.0 MICROMETER MINIMUM)
 金具 FITTING NAIL
 錫めっき (1.0μm以上)
 下地 : ニッケルめっき (1.0μm以上)
 TIN PLATING
 (1.0 MICROMETER MINIMUM)
 UNDER PLATE : NICKEL PLATING
 (1.0 MICROMETER MINIMUM)
- △3 ソルダーテール半田付け面のズレ量、及び金具半田付け面のズレ量は、基準面 G に対し上方向0.05MAXIMUM、下方向0.15MAXIMUMとする。
 MISALIGNMENT OF SOLDER TAILS AND FITTING NAILS FROM DATUM-G UPPER DIRECTION : 0.05MAXIMUM
 LOWER DIRECTION 0.15MAXIMUM.
- △4 偶数極に適用
 APPLY FOR EVEN CIRCUIT
- △5 パターンはくり止めよう金具
 FITTING NAIL FOR PREVENTION OF PEELING OF P.C.B PATTERN.
- △6 R0.3はFPCの導体部にかからないこと
 R0.3 MUST NOT BE OVERLAPED TO PATTERN OF FPC.
7. ソルダーテールの平坦度は、0.12 MAXIMUMとする。
 SOLDER TAIL COPLANARITY IS 0.12 MAXIMUM.
8. ELV及びRoHS適合品
 ELV AND RoHS COMPLIANT.

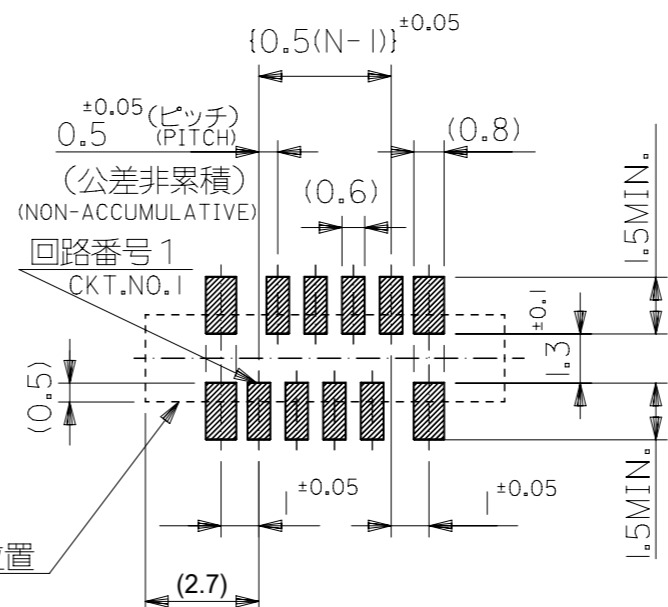
THIS DRAWING CONTAINS INFORMATION THAT IS PROPRIETARY TO MOLEX ELECTRONIC TECHNOLOGIES, LLC AND SHOULD NOT BE USED WITHOUT WRITTEN PERMISSION									
DIMENSION UNITS		SCALE		CURRENT REV DESC:					
mm		8:1		<div style="text-align: center; font-size: 24pt; font-weight: bold;">molex</div> EMBOSS TAPE PACKAGED FOR 0.5MM FPC CONN ZIF/ S/T HOUSING ASSY PRODUCT CUSTOMER DRAWING DOCUMENT NUMBER: SD-52559-059 DOC TYPE: PSD DOC PART: 001 REVISION: C INITIAL REVISION: DRWN: NASANUMA 2013/02/23 APPR: KMORIKAWA 2013/03/15					
GENERAL TOLERANCES (UNLESS SPECIFIED)									
ANGULAR TOL ± 3.0°									
4 PLACES ± 0.2									
3 PLACES ± 0.2									
2 PLACES ± 0.2									
1 PLACE ± 0.25									
0 PLACES ± 0.3									
DRAFT WHERE APPLICABLE MUST REMAIN WITHIN DIMENSIONS		THIRD ANGLE PROJECTION		DRAWING		SERIES		MATERIAL NUMBER	
				A3-SIZE		52559		SEE SHEET 2	
DOCUMENT STATUS		RELEASE DATE		CUSTOMER		SHEET NUMBER			
P1		2018/05/14 04:50:47		GENERAL MARKET		1 OF 5			



適合FFC推奨寸法
APPLICABLE FFC
RECOMMENDED DIMENSION.
(仕上がり厚さ: 0.3±0.05)
(THICKNESS: 0.3±0.05)



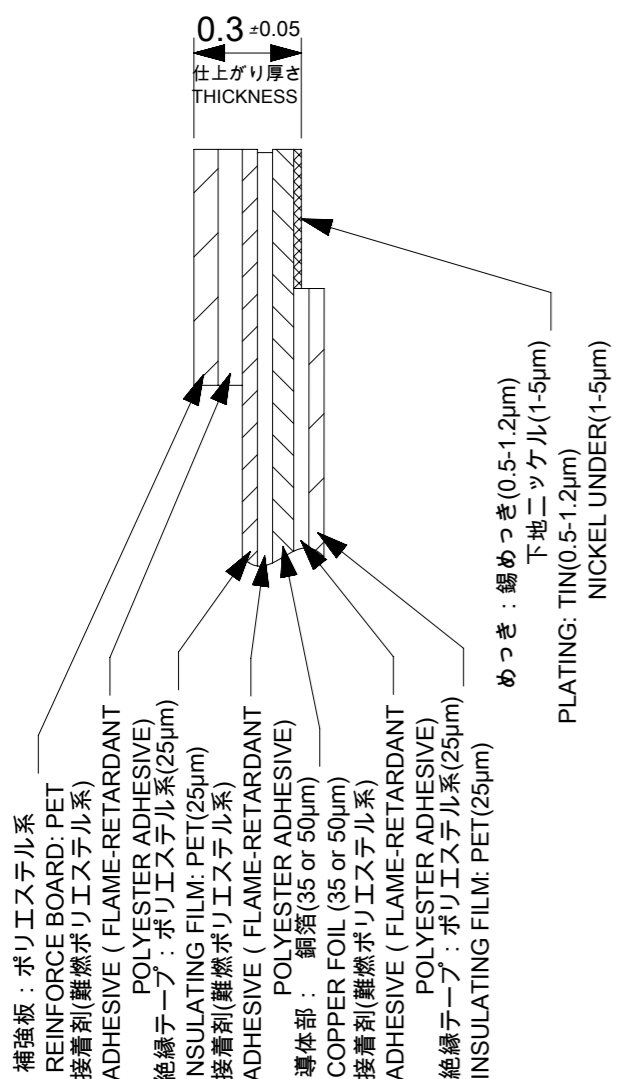
適合FPC推奨寸法
APPLICABLE FPC
RECOMMENDED DIMENSION.
(仕上がり厚さ: 0.3±0.05)
(THICKNESS: 0.3±0.05)



コネクタ位置
CONNECTOR
POSITION

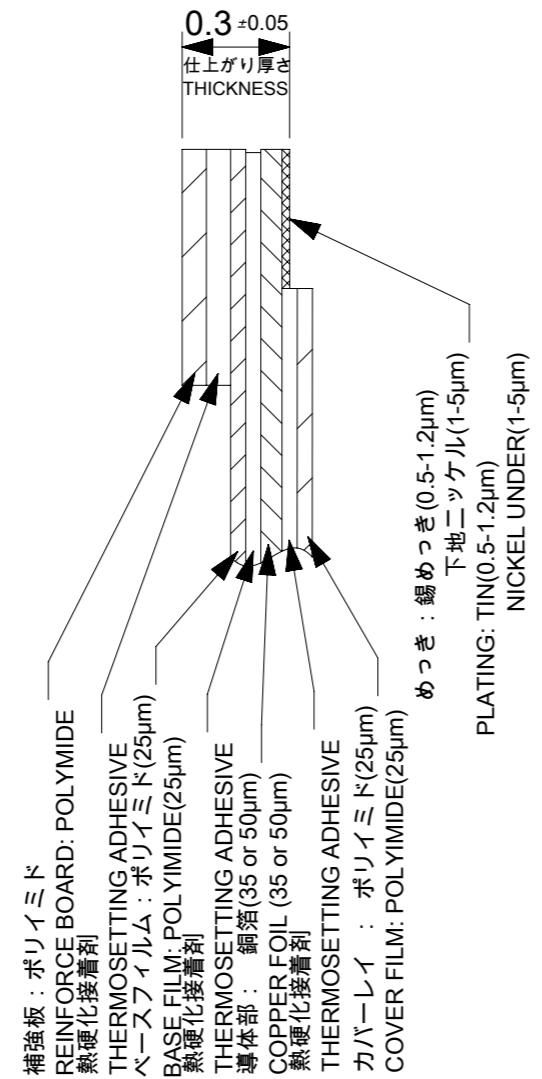
推奨基板レイアウト
(マウンド面)

RECOMMENDED P.C. BOARD
PATTERN DIMENSION
(MOUNTING SIDE)
マスク厚 : 150µm
マスク開口率 : 100%
SCREEN THICKNESS : 150µm
SCREEN OPEN RATIO : 100%



FFC構成推奨仕様

RECOMMENDED STRUCTURE OF FFC



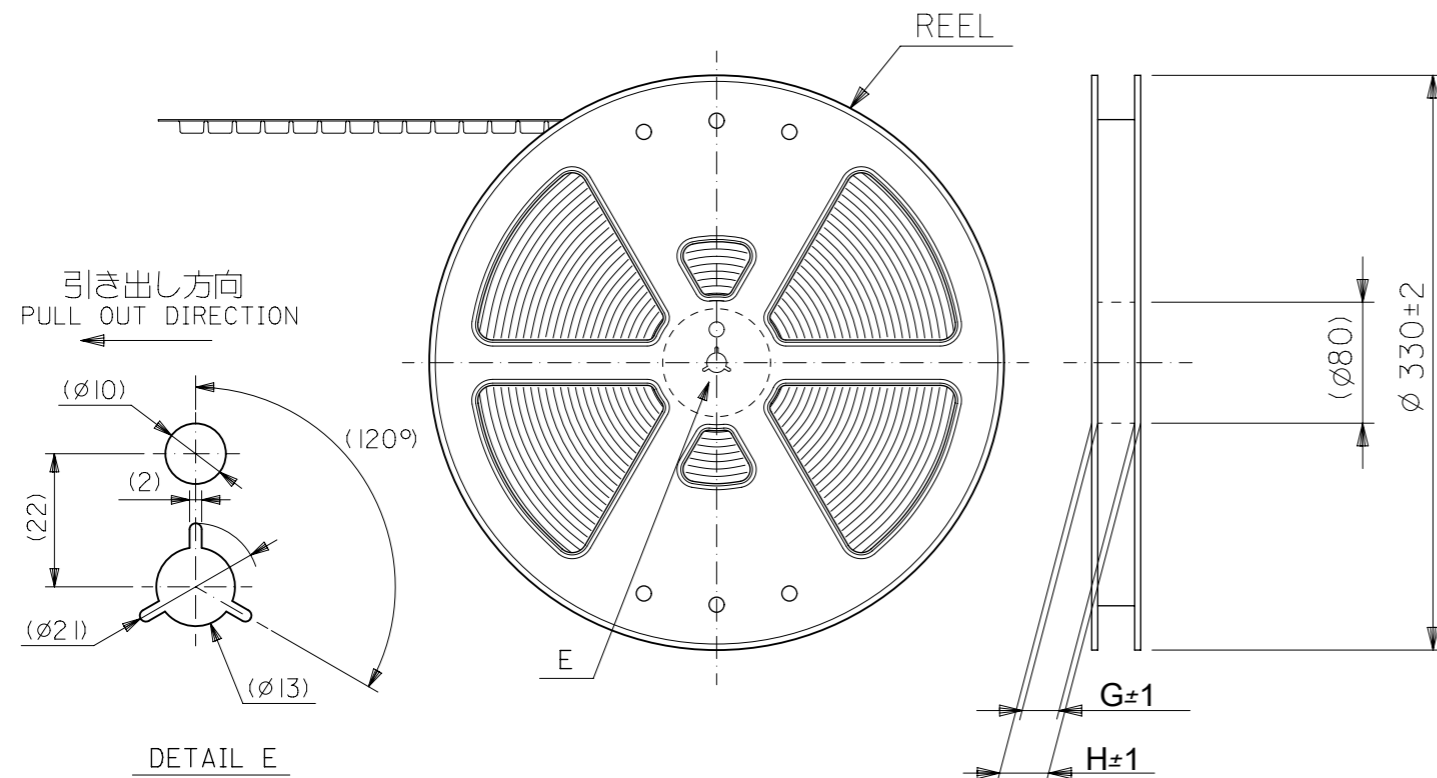
FPC構成推奨仕様

RECOMMENDED STRUCTURE OF FPC

FPC/FFCについて:
抜き方向は、導体側から補強板側を推奨致します。
尚、接着剤の接点部への付着は導通不良の原因になりますので、
染み出しが無い様お願い致します。
ABOUT FPC/FFC:
RECOMMENDED PUNCHER DIRECTION:
FROM CONDUCTOR SIDE TO STIFFNER SIDE
PLEASE PUT APPROPRIATE AMOUNT OF ADHESIVE ON ADHEREND
BECAUSE THERE IS A POSSIBILITY THAT THE EXTRA ADHESIVE
CAUSES THE DEFECT IN ELECTRICAL CONTINUITY.

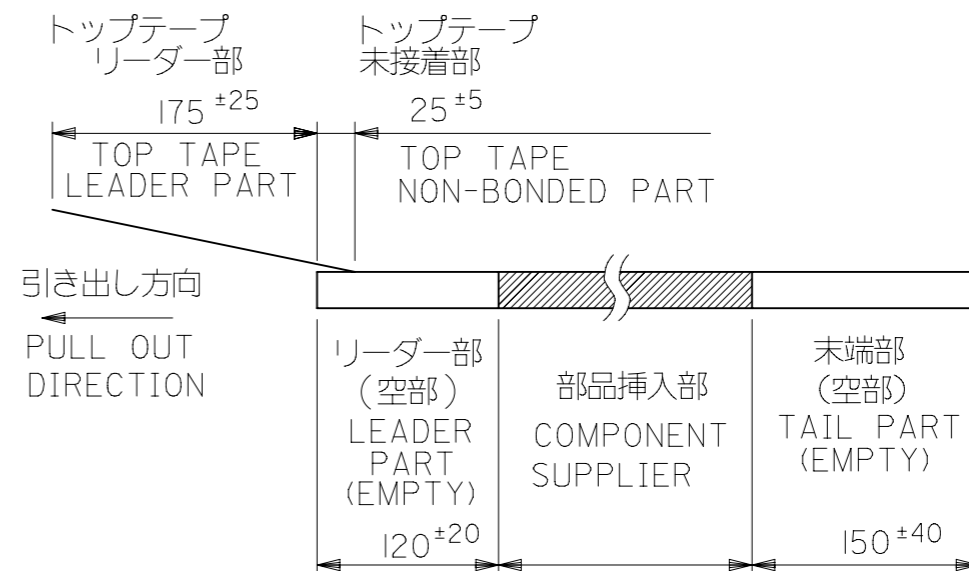
22.2	21.4	17.15	16.0	52559-3334	33
19.7	18.9	14.65	13.5	52559-2834	28
18.2	17.4	13.15	12.0	52559-2534	25
17.7	16.9	12.65	11.5	52559-2434	24
16.7	15.9	11.65	10.5	52559-2234	22
15.7	14.9	10.65	9.5	52559-2034	20
14.7	13.9	9.65	8.5	52559-1834	18
12.7	11.9	7.65	6.5	52559-1434	14
12.2	11.4	7.15	6.0	52559-1334	13
9.7	8.9	4.65	3.5	52559-0834	8
D	C	B	(A)	ORDER No.	極数 CKT.

THIS DRAWING CONTAINS INFORMATION THAT IS PROPRIETARY TO MOLEX ELECTRONIC TECHNOLOGIES, LLC AND SHOULD NOT BE USED WITHOUT WRITTEN PERMISSION									
DIMENSION UNITS		SCALE		CURRENT REV DESC:					
mm		5:1		molex					
GENERAL TOLERANCES (UNLESS SPECIFIED)				EMBOSS TAPE PACKAGED FOR 0.5MM FPC CONN ZIF/ S/T HOUSING ASSY					
ANGULAR TOL ± 3.0°				EC NO: 176518		PRODUCT CUSTOMER DRAWING			
4 PLACES ± 0.2				DRWN: TNAKAGAWA01 2018/05/10		DOCUMENT NUMBER			
3 PLACES ± 0.2				CHK'D: RTAKEUCHI 2018/05/14		SD-52559-059			
2 PLACES ± 0.2				APPR: RTAKEUCHI 2018/05/14		DOC TYPE DOC PART REVISION			
1 PLACE ± 0.25				INITIAL REVISION:		PSD 001 C			
0 PLACES ± 0.3				DRWN: NASANUMA 2013/02/23		MATERIAL NUMBER			
DRAFT WHERE APPLICABLE MUST REMAIN WITHIN DIMENSIONS				APPR: KMORIKAWA 2013/03/15		CUSTOMER			
THIRD ANGLE PROJECTION		DRAWING		SERIES		SHEET NUMBER		GENERAL MARKET	
A3-SIZE		52559		2 OF 5					



注記 NOTES

1. 梱包状態はアクチュエータがロックした状態とする。
IN THE PACKAGE, ACTUATOR SHOULD BE LOCKED.
2. 梱包数量：1000個/リール
NUMBER OF CONNECTORS:1000PCS/REEL
3. リードテープ長さ LEAD TAPE LENGTH

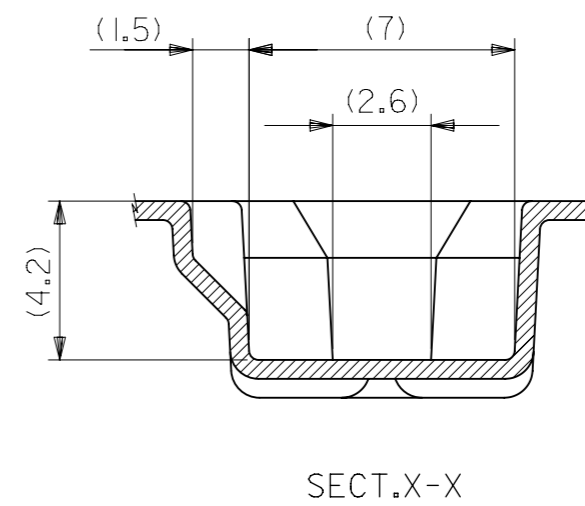
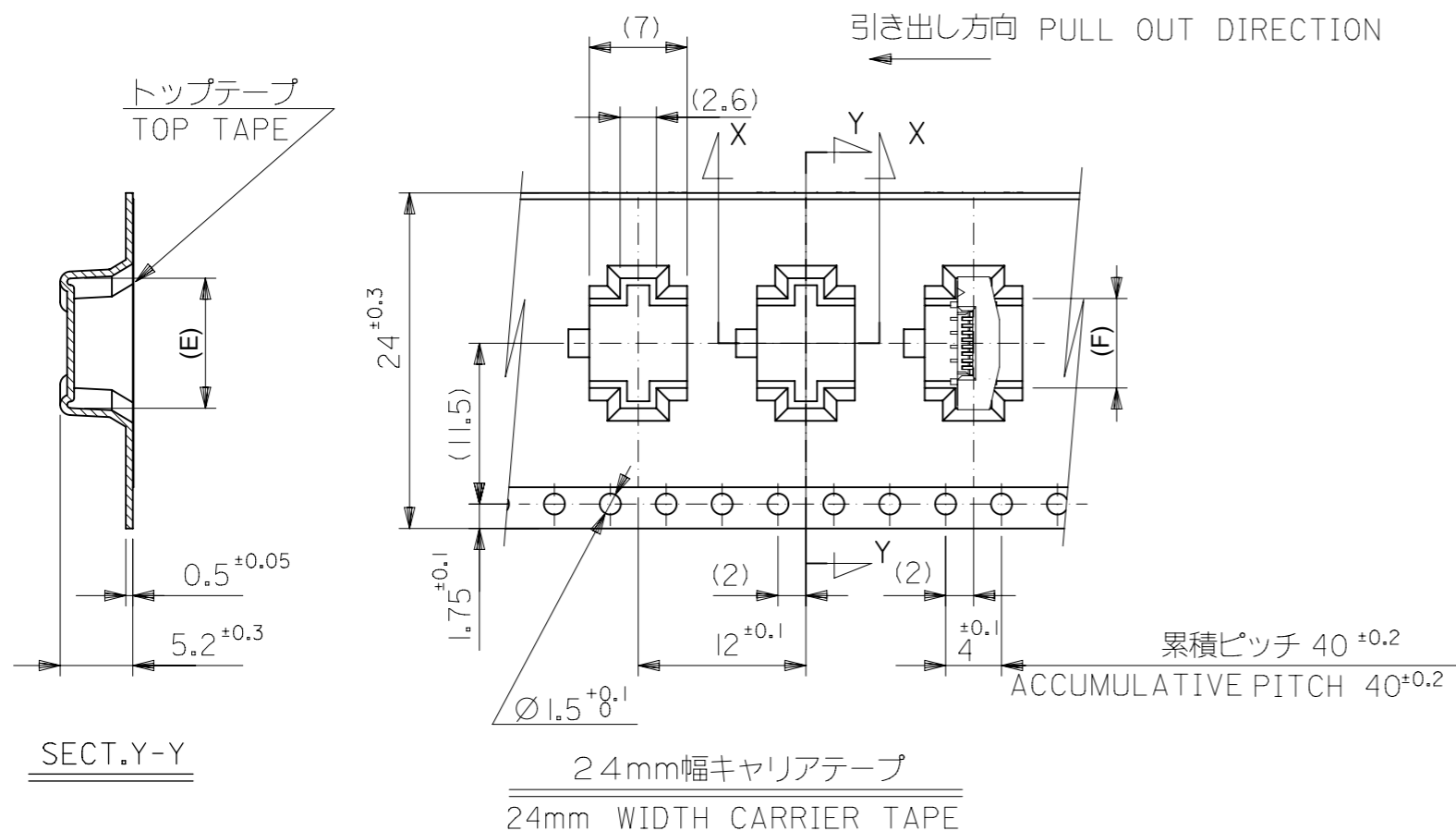


4. トップテープの剥離強度については、IEC60286-3に準拠
TOP TAPE PEEL FORCE IS DEFINED BY IEC60286-3.

5. 材料 キャリアテープ：ポリプロピレン (PP)
トップテープ：PET, PE, PEF
リール：ポリスチレン (PS) <リサイクル材を含む>
MATERIAL CARRIER TAPE:POLYPROPYLENE
TOP TAPE:PET,PE,PEF
REEL:POLYSTYREN(PS)
<RECYCLE MATERIAL CONTAINED>

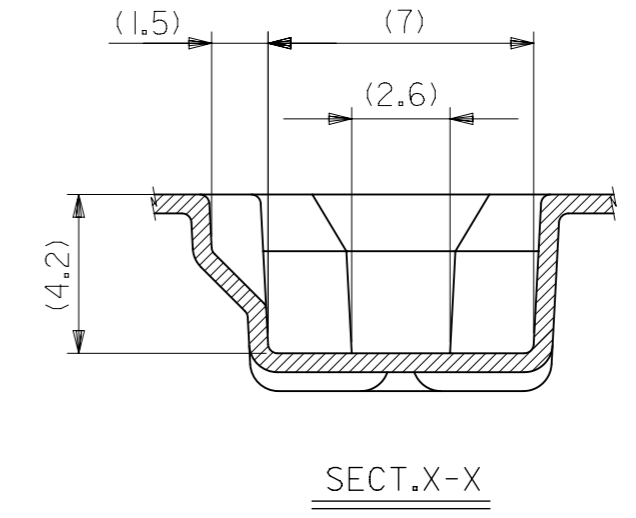
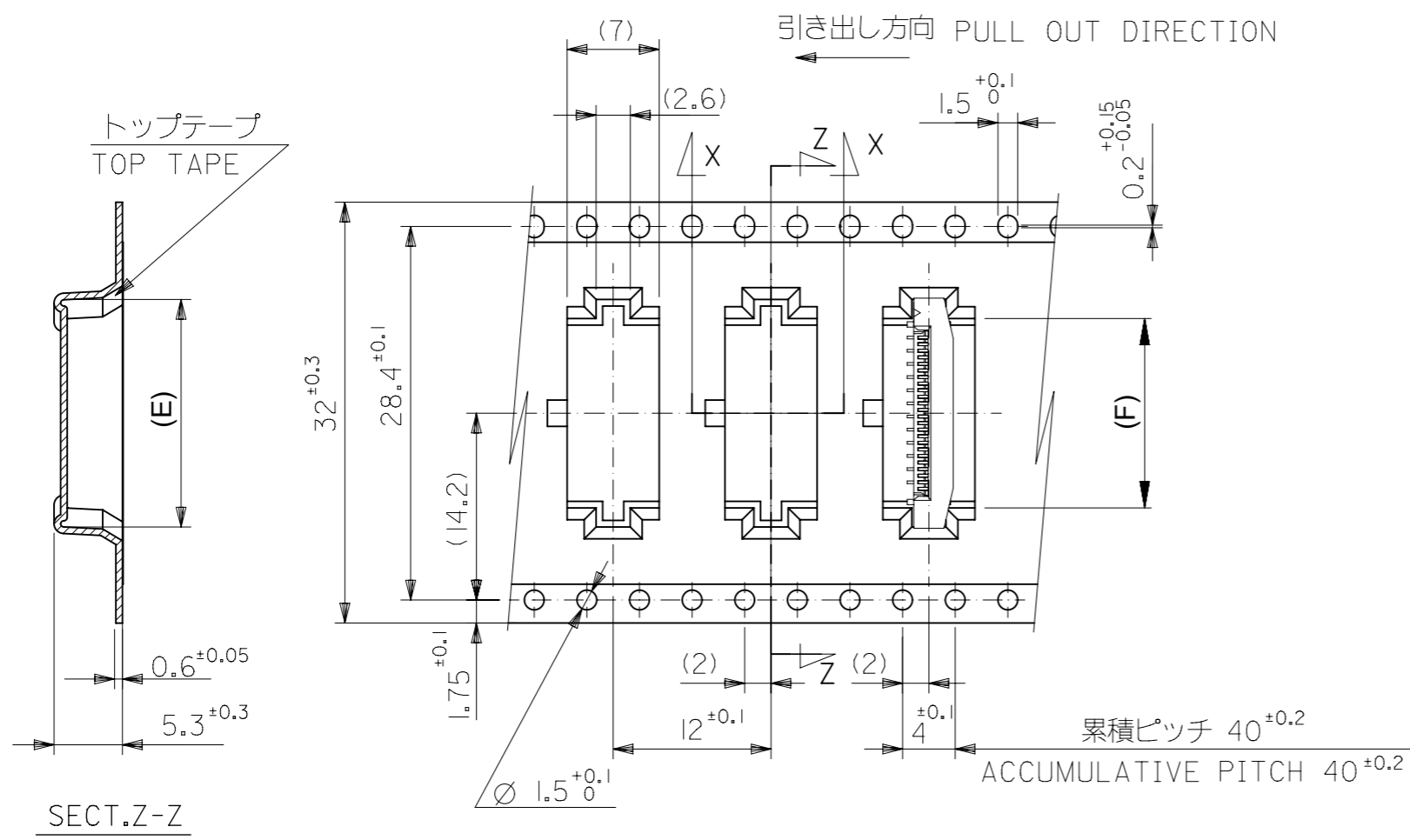
6. 本製品は乾燥剤入り、ハイバリア梱包仕様である。
THIS PRODUCT IS HIGH BARRIER PACKAGE WITH DESICCANT.

THIS DRAWING CONTAINS INFORMATION THAT IS PROPRIETARY TO MOLEX ELECTRONIC TECHNOLOGIES, LLC AND SHOULD NOT BE USED WITHOUT WRITTEN PERMISSION									
DIMENSION UNITS		SCALE		CURRENT REV DESC:				molex	
mm		±±							
GENERAL TOLERANCES (UNLESS SPECIFIED)				EC NO: 176518				EMBOSS TAPE PACKAGED FOR 0.5MM FPC CONN ZIF/ S/T HOUSING ASSY	
ANGULAR TOL ± 3.0°				DRWN: TNAKAGAWA01 2018/05/10				PRODUCT CUSTOMER DRAWING	
4 PLACES ± 0.2				CHK'D: RTAKEUCHI 2018/05/14				DOCUMENT NUMBER	
3 PLACES ± 0.2				APPR: RTAKEUCHI 2018/05/14				SD-52559-059	
2 PLACES ± 0.2				INITIAL REVISION:				DOC TYPE	
1 PLACE ± 0.25				DRWN: NASANUMA 2013/02/23				PSD	
0 PLACES ± 0.3				APPR: KMORIKAWA 2013/03/15				DOC PART	
DRAFT WHERE APPLICABLE MUST REMAIN WITHIN DIMENSIONS				THIRD ANGLE PROJECTION		DRAWING		REVISION	
				A3-SIZE		SERIES		C	
				52559		MATERIAL NUMBER		SHEET NUMBER	
				SEE SHEET 4-5		CUSTOMER		3 OF 5	
				GENERAL MARKET					



24	29.4	25.4	13.4	16.3	52559-2234	22		
			12.4	15.3	52559-2034	20		
			11.4	14.3	52559-1834	18		
			9.4	12.3	52559-1434	14		
			8.9	11.8	52559-1334	13		
			6.4	9.3	52559-0834	8		
CARRIER TAPE WIDTH			H	G	(F)	(E)	ORDER No.	CKT

THIS DRAWING CONTAINS INFORMATION THAT IS PROPRIETARY TO MOLEX ELECTRONIC TECHNOLOGIES, LLC AND SHOULD NOT BE USED WITHOUT WRITTEN PERMISSION		CURRENT REV DESC:		molex				
DIMENSION UNITS	SCALE	EC NO: 176518						EMBOSS TAPE PACKAGED FOR 0.5MM FPC CONN ZIF/ S/T HOUSING ASSY
mm	±±	DRWN: TNAKAGAWA01 2018/05/10		PRODUCT CUSTOMER DRAWING				
GENERAL TOLERANCES (UNLESS SPECIFIED)		CHK'D: RTAKEUCHI 2018/05/14		DOCUMENT NUMBER				
ANGULAR TOL	± 3.0°	APPR: RTAKEUCHI 2018/05/14		SD-52559-059		DOC TYPE	DOC PART	REVISION
4 PLACES	± 0.2	INITIAL REVISION:		2013/02/23		PSD	001	C
3 PLACES	± 0.2	DRWN: NASANUMA		2013/03/15		SHEET NUMBER		
2 PLACES	± 0.2	APPR: KMORIKAWA		2013/03/15		4 OF 5		
1 PLACE	± 0.25	DRAFT WHERE APPLICABLE MUST REMAIN WITHIN DIMENSIONS		THIRD ANGLE PROJECTION	DRAWING	SERIES	MATERIAL NUMBER	CUSTOMER
0 PLACES	± 0.3	A3-SIZE		52559	SEE TABLE	GENERAL MARKET		



32mm幅キャリアテープ
32mm WIDTH CARRIER TAPE

32	37.4	33.4	18.9	21.8	52559-3334	33		
			16.4	19.3	52559-2834	28		
			14.9	17.8	52559-2534	25		
			14.4	17.3	52559-2434	24		
CARRIER TAPE WIDTH			H	G	(F)	(E)	ORDER No.	CKT

THIS DRAWING CONTAINS INFORMATION THAT IS PROPRIETARY TO MOLEX ELECTRONIC TECHNOLOGIES, LLC AND SHOULD NOT BE USED WITHOUT WRITTEN PERMISSION

DIMENSION UNITS mm	SCALE ±±	CURRENT REV DESC:		molex		
GENERAL TOLERANCES (UNLESS SPECIFIED)		EC NO: 176518				
ANGULAR TOL	± 3.0 °	DRWN: TNAKAGAWA01 2018/05/10		PRODUCT CUSTOMER DRAWING		
4 PLACES	± 0.2	CHK'D: RTAKEUCHI 2018/05/14		DOCUMENT NUMBER		
3 PLACES	± 0.2	APPR: RTAKEUCHI 2018/05/14		SD-52559-059		
2 PLACES	± 0.2	INITIAL REVISION:		DOC TYPE	DOC PART	REVISION
1 PLACE	± 0.25	DRWN: NASANUMA 2013/02/23		PSD	001	C
0 PLACES	± 0.3	APPR: KMORIKAWA 2013/03/15		SHEET NUMBER		
DRAFT WHERE APPLICABLE MUST REMAIN WITHIN DIMENSIONS		THIRD ANGLE PROJECTION	DRAWING	SERIES	MATERIAL NUMBER	CUSTOMER
			A3-SIZE	52559	SEE TABLE	GENERAL MARKET