

# 3610RL (92<sup>□</sup> x 25<sup>L</sup>)



EMINEBEA.COM

## General Specifications

### Motor Protection:

Automatic Restoration/Reverse  
Connection Prevention

**Insulation Resistance:** 10M Ω or over with a DC500V Megger

**Dielectric Withstand Voltage:** AC 700V 1s

### Allowable Ambient Temperature Range:

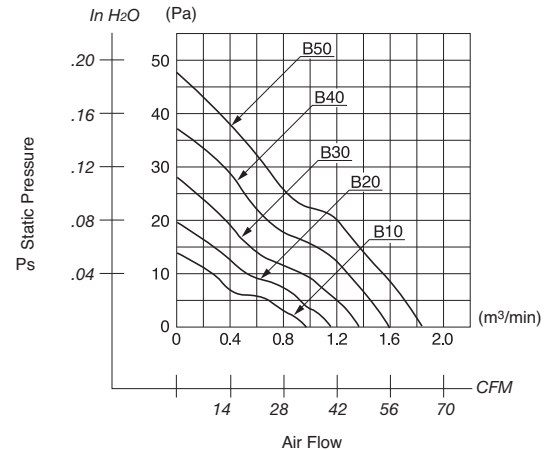
B50 Class: -10°C ~ +50°C (Operating)  
B10~B40 Class: -10°C ~ +70°C (Operating)  
All Class: -40°C ~ +70°C (Storage)  
(non-condensing environment)

## Expected Life

### Failure Rate: 10%

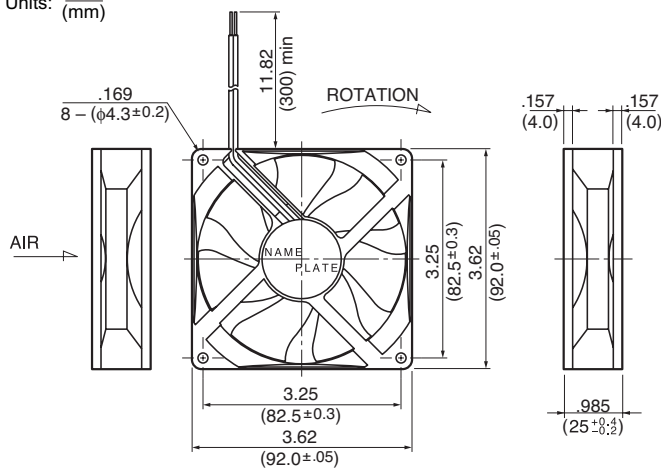
25°C 60,000 Hours (F00)

## Characteristic Curves

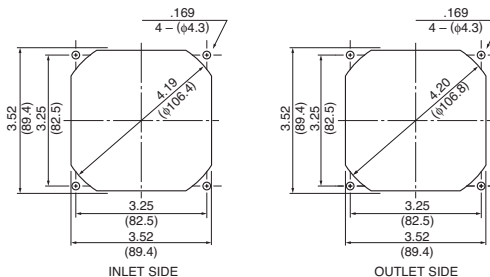


## Outline

Units:  $\frac{\text{inch}}{\text{mm}}$



## Panel Cut-outs



## Material

Casing : Plastic (Black) 94V-0  
Impeller : Plastic (Black) 94V-0  
Bearing : Ball Bearing  
Lead Wire : UL1007, AWG24, +Red, -Black

## Specifications

MODEL	Product No.	Rated Voltage	Operating Voltage	Current	Input Power	Speed	Max. Air Flow		Max. Static Pressure		Noise	Mass
		(V)	(V)	(A) <sup>*1</sup>	(W) <sup>*1</sup>	(min <sup>-1</sup> ) <sup>*1</sup>	CFM <sup>*1</sup>	(m <sup>3</sup> /min) <sup>*1</sup>	in H <sub>2</sub> O	(Pa) <sup>*1</sup>	(dB) <sup>*1</sup>	(g)
3610RL-04W-B10-	X00	12	6.0 ~ 13.8	0.09	1.08	1700	34.60	0.98	.05	14.4	22.0	85
3610RL-04W-B20-	X00	12	6.0 ~ 13.8	0.14	1.68	2000	14.31	1.17	.08	20.0	27.0	85
3610RL-04W-B30-	X00	12	6.0 ~ 13.8	0.20	2.40	2350	48.73	1.38	.11	27.6	32.0	85
3610RL-04W-B40-	X00	12	6.0 ~ 13.8	0.28	3.36	2750	56.85	1.61	.15	37.5	35.5	85
3610RL-04W-B50-	X00	12	6.0 ~ 13.2	0.46	5.52	3150	64.97	1.84	.19	47.8	39.5	85
3610RL-05W-B10-	X00	24	10.0 ~ 27.6	0.05	1.20	1700	34.60	0.98	.05	14.4	22.0	85
3610RL-05W-B20-	X00	24	10.0 ~ 27.6	0.07	1.68	2000	41.31	1.17	.08	20.0	27.0	85
3610RL-05W-B30-	X00	24	10.0 ~ 27.6	0.10	2.40	2350	48.73	1.38	.11	27.6	32.0	85
3610RL-05W-B40-	X00	24	10.0 ~ 27.6	0.17	4.08	2750	56.85	1.61	.15	37.5	35.3	85
3610RL-05W-B50-	X00	24	10.0 ~ 26.4	0.25	6.00	3150	64.97	1.84	.19	47.8	39.5	85

Rotation: Clockwise

Airflow Outlet: Air Out Over Struts

\*1: Average Values in Free Air