



## Encoder accessories

 Encoder accessories (PDF 139 KB)



DSK48

### Double loop coupling DSK48

for encoder with shaft  $\varnothing$  10 mm, 12 mm or 14 mm.

No moving parts, thermally and electrically insulating, smooth running, maintenance-free.

Good resistance to

Gasoline, oil, benzene, toluene, aromatic and non aromatic hydrocarbons, alcohols, glycols, solvents and many chemicals.

[→ Print version](#)

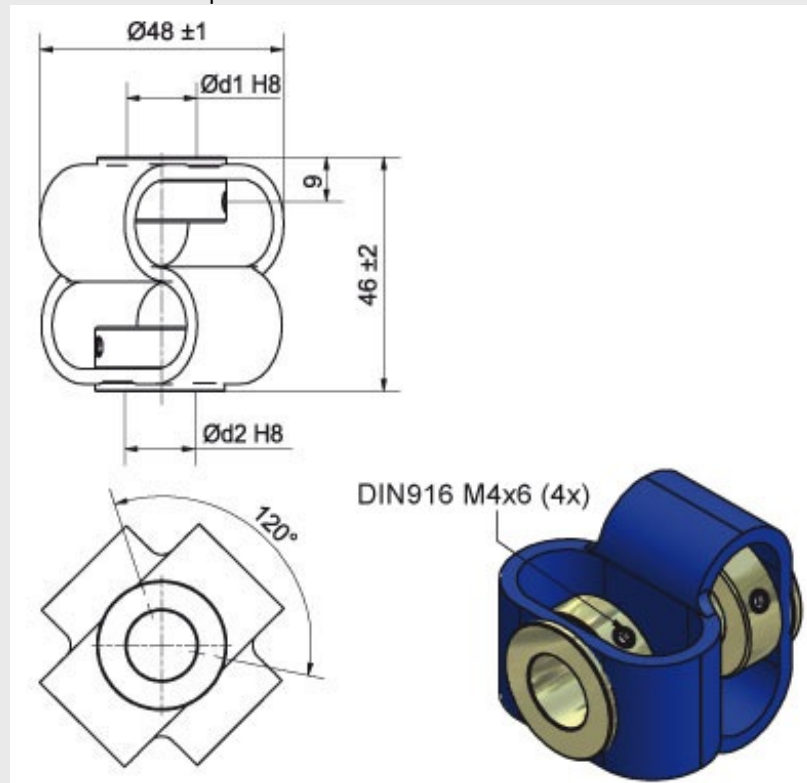
### Product data

Max. operating speed	3000 rpm
Max. torque	200 Ncm
Max. offset of shafts radial	$\pm 3.0$ mm
Max. offset of shafts axial	$\pm 4.0$ mm
Max. offset of shafts angular	$\pm 12^\circ$
Torsion spring stiffness	28 Nm/rad
Radial spring stiffness	7 N/mm
Moment of inertia	106 gcm <sup>2</sup>
Max. clamping torque	200 Ncm
Weight	85 g

Material	flange: steel galvanized connecting element: polyurethane
Operating temperature	-30 °C up to +80 °C
Order number(s)	
DSK48 10 10	double loop coupling: Ø d1 = 10 mm, Ø d2 = 10 mm
DSK48 10 12	double loop coupling: Ø d1 = 10 mm, Ø d2 = 12 mm
DSK48 12 12	double loop coupling: Ø d1 = 12 mm, Ø d2 = 12 mm

### Drawings

All dimensional specifications in mm





For further information please contact our local distributor.  
Here you find a list of our [distributors worldwide](#)

---

Wachendorff Automation GmbH & Co. KG - Industriestrasse 7 - D-65366 Geisenheim  
wdg@wachendorff.de - Tel. +49 6722 996525 - Fax +49 6722 996570