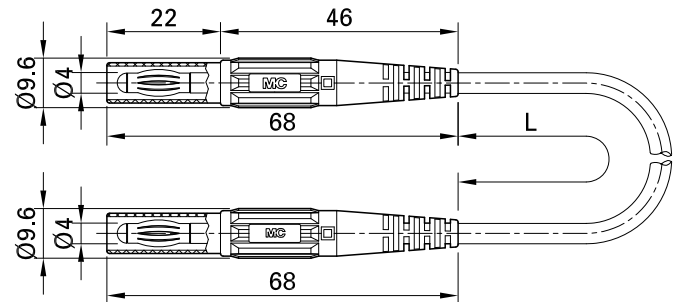
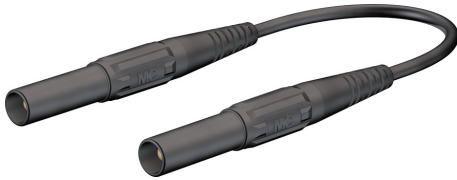


XMS-414

Item number 66.9014-*

Highly flexible, with insulation in silicone with in-line Ø 4 mm
MULTILAM plug with rigid insulating sleeve on both ends.

Technical data	
Diameter of plug system	4 mm
Rated Values	1000 V, CAT III, 19 A
Surface treatment electrical contact	Ni
Base material electrical contact	CuZn
Lead cross section	1.0 mm ²
Lead lengths <input type="text"/>	50 cm; 100 cm; 150 cm; 200 cm
Lead insulation	SIL
Colours *	<input type="checkbox"/> 21 <input type="checkbox"/> 22 <input type="checkbox"/> 23
Test accessory acc. to	IEC EN 61010-031
Approvals	UL, CE
Remarks	Other color and/or length combinations available on request.