

ABSOLUTE MAGNETIC ENCODER FOR TURRET

ABST Series are applicable to determine the absolute turret position.

Features

- Memorize the turret position without battery
- Provide different resolution choices
- Provide various code types for option
- Changeable calculating direction by control signal
- Reference points can be set by external signal
- Provide reverse polarity protection



Specification

ABS Encoder for Turret		
Electrical	Detection System	Absolute
	Resolution	4 , 6 , 8 , 10 , 12 , 16 , 24 , 32
	Direction	CW or CCW
	Output Code	±Gray , ±Binary , ±BCD
	Power Supply	DC 24V ± 10%
	Current Consumption	200mA or less
	Response	1.5KHz (max)
	Output Circuits	PNP & NPN
	Output Current	20mA max.
Mechanical	Max. Speed.	600RPM
	Material	Aluminum alloy
	Shaft Diameter	Type F , S , E = Ø10h7 , Type M = Ø6h7
	Shaft Loading	Axial : 2kgf , Radial : 4kgf
	Cable	Ø6.5 , 12 wires , 28AWG
	Wight	600g (with 1m cable)
Environmental	Protection	IP65
	Operating Temperature	0°C /+50°C
	Storage Temperature	-10°C /+60°C (w/o condensation)
	Humidity	35% / 85%
	Vibration	55Hz, 1.5mm X, Y, Z each direction 2h
	Shock	50G X, Y, Z each direction 3 times



FUTURE LIFE TECHNOLOGY CO., LTD.

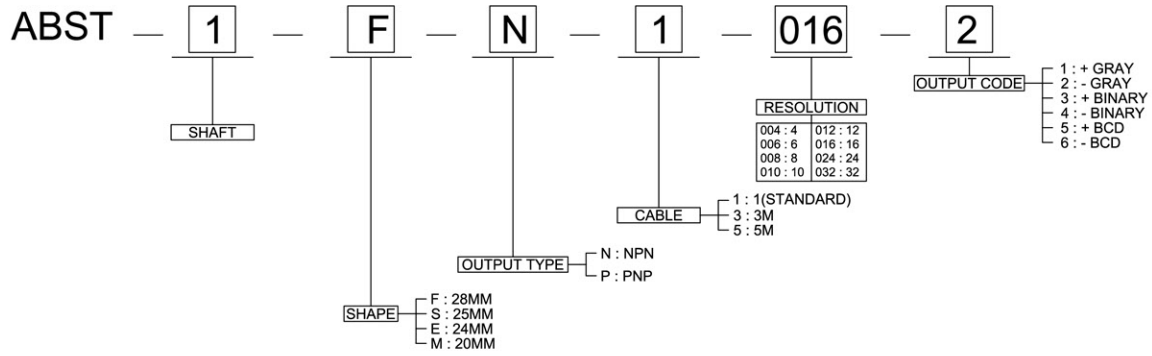
13Fl, No. 963, Jong-Jeng Rd., Jong-Ho Dist., New Taipei City, Taiwan 23544

TEL : 886 + 2-8227-5339 FAX : 886 + 2-8227-5572 Email : amaker@ms24.hinet.net

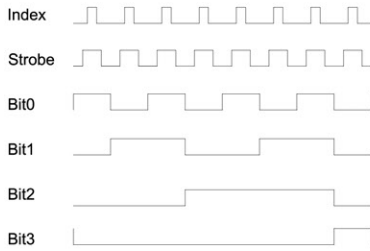


ABSOLUTE MAGNETIC ENCODER FOR TURRET

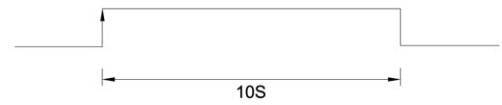
Ordering Information



Output Signals (Binary 8,PNP)



Reset Signal



Reset signal more than 10 seconds, it will change direction and reset current angle.

Electrical Connections

No.	Color	Function	No.	Color	Function
1	Black	24V	2	Brown	0V
3	Red	Bit0	4	Orange	Bit1
5	Yellow	Bit2	6	Green	Bit3
7	Blue	Bit4	8	Purple	Bit5
9	Gray	Bit6	10	White	Index
11	Brown / Black	RESET	12	Red / Black	Strobe

External Dimensions (mm)

