

4712KL (119[□] x 32^L)

NMB

NMBTC.COM / 248.919.2250

General Specifications

Motor Protection:

Auto Restart/Polarity Protection

Insulation Resistance: 10M^Ω or over with a DC500V Megger

Dielectric Withstand Voltage: AC 700V 1s

Allowable Ambient Temperature Range:

-10 C ~ +70 C (Operating)

-40 C ~ +70 C (Storage)

(non-condensing environment)

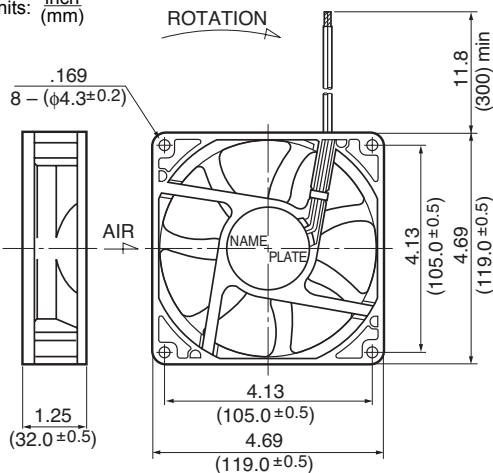
Expected Life

Failure Rate: 10%

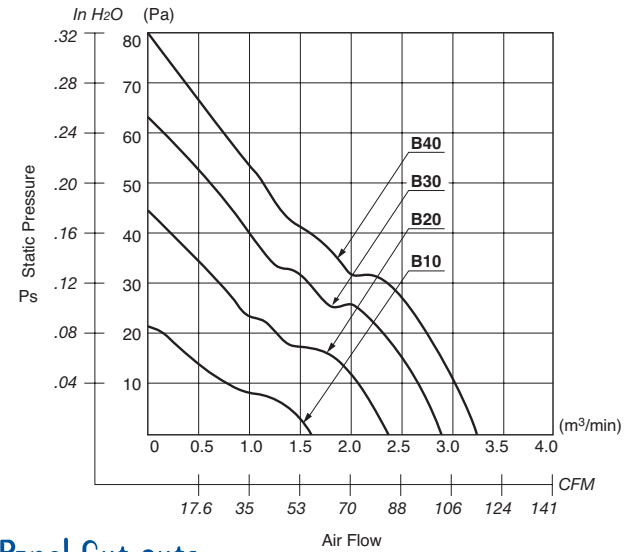
25°C 100,000 Hours (P00)

Outline

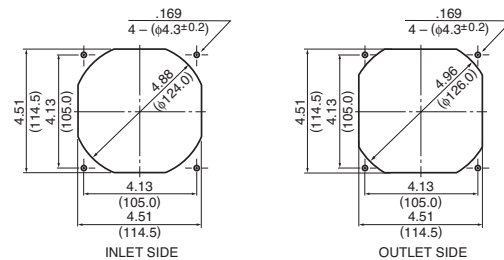
Units: $\frac{\text{inch}}{\text{mm}}$



Characteristic Curves



Panel Cut-outs



Material

Casing : Plastic (Black) 94V-0

Impeller : Plastic (Black) 94V-0

Bearing : Ball Bearing

Lead Wire: UL1007, AWG24, +Red, -Black

Specifications

MODEL	Product No.	Rated Voltage	Operating Voltage	Current	Input Power	Speed	Max. Air Flow		Max. Static Pressure		Noise	Mass
		(V)	(V)	(A) ^{*1}	(W) ^{*1}	(min ⁻¹) ^{*1}	CFM ^{*1}	(m ³ /min) ^{*1}	in H ₂ O	(Pa) ^{*1}	(dB) ^{*1}	(g)
4712KL-04W-B10-	X00	12	6.0 ~ 13.8	0.16	1.92	1600	56.1	1.59	.09	22.0	29.0	240
4712KL-04W-B20-	X00	12	6.0 ~ 13.8	0.32	3.84	2300	82.2	2.33	.17	42.0	39.0	240
4712KL-04W-B30-	X00	12	6.0 ~ 13.8	0.48	5.76	2800	99.9	2.83	.24	60.0	44.0	240
4712KL-04W-B40-	X00	12	6.0 ~ 13.8	0.69	8.28	3100	112.0	3.17	.33	82.0	47.0	240
4712KL-05W-B10-	X00	24	12.0 ~ 27.6	0.09	2.16	1600	56.1	1.59	.09	22.0	29.0	240
4712KL-05W-B20-	X00	24	12.0 ~ 27.6	0.17	4.08	2300	82.2	2.33	.17	42.0	39.0	240
4712KL-05W-B30-	X00	24	12.0 ~ 27.6	0.28	6.72	2800	99.9	2.83	.24	60.0	44.0	240
4712KL-05W-B40-	X00	24	12.0 ~ 27.6	0.34	8.16	3100	112.0	3.17	.33	82.0	47.0	240
4712KL-07W-B10-	X00	48	28.0 ~ 55.2	0.07	3.36	1600	56.1	1.59	.09	22.0	29.0	240
4712KL-07W-B20-	X00	48	28.0 ~ 55.2	0.11	5.28	2300	82.2	2.33	.17	42.0	39.0	240
4712KL-07W-B30-	X00	48	28.0 ~ 55.2	0.16	7.68	2800	99.9	2.83	.24	60.0	44.0	240
4712KL-07W-B40-	X00	48	28.0 ~ 55.2	0.21	10.08	3100	112.0	3.17	.33	82.0	47.0	240

Rotation: Clockwise

Airflow Outlet: Air Out Over Struts

*1: Average Values in Free Air