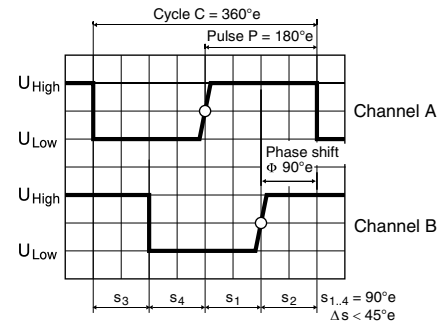
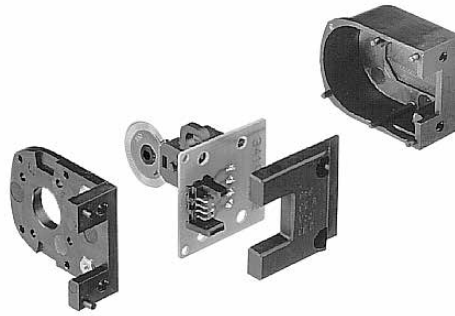
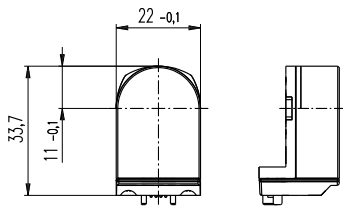


Encoder Enc 22 100 CPT, 2 Channels



Direction of rotation cw (definition cw p. 60)

- Stock program
- Standard program
- Special program (on request)

Part Numbers

	103935	110520	110521
--	--------	--------	--------

Type	103935	110520	110521
Counts per turn	100	100	100
Number of channels	2	2	2
Max. operating frequency (kHz)	20	20	20
Max. speed (rpm)	12000	12000	12000
Shaft diameter (mm)	3	2	3



maxon Modular System				
+ Motor	Page	+ Gearhead	Page	Overall length [mm] / ● see Gearhead
RE 25	125/127			68.6
RE 25	125/127	GP 26, 0.75 - 4.5 Nm	340	●
RE 25	125/127	GP 32, 0.75 - 4.5 Nm	342	●
RE 25	125/127	GP 32, 0.75 - 4.5 Nm	343	●
RE 25	125/127	GP 32, 1.0 - 6.0 Nm	346	●
RE 25	125/127	GP 32 S	374-379	●
A-max 19, 1.5 W	144			43.3
A-max 19, 1.5 W	144	GP 19, 0.1 - 0.3 Nm	330	●
A-max 19, 1.5 W	144	GP 22, 0.1 - 2.0 Nm	333/335	●
A-max 19, 1.5 W	144	GS 24, 0.1 Nm	339	●
A-max 19, 1.5 W	146	GP 22 S	372/373	●
A-max 19, 2.5 W	146			45.9
A-max 19, 2.5 W	146	GP 19, 0.1 - 0.3 Nm	330	●
A-max 19, 2.5 W	146	GP 22, 0.1 - 2.0 Nm	333/335	●
A-max 19, 2.5 W	146	GS 24, 0.1 Nm	339	●
A-max 19, 2.5 W	146	GP 22 S	372/373	●
A-max 22	148/150			46.3
A-max 22	148/150	GP 22, 0.1 - 0.3 Nm	331	●
A-max 22	148/150	GP 22, 0.2 - 0.6 Nm	332	●
A-max 22	148/150	GP 22, 0.1 - 2.0 Nm	331-335	●
A-max 22	148/150	GS 24, 0.1 Nm	339	●
A-max 22	148/150	GP 22 S	372/373	●
A-max 26	152-158			59.1
A-max 26	152-158	GP 26, 0.75 - 4.5 Nm	340	●
A-max 26	152-158	GS 30, 0.07 - 0.2 Nm	341	●
A-max 26	152-158	GP 32, 0.75 - 4.5 Nm	342	●
A-max 26	152-158	GP 32, 0.75 - 4.5 Nm	343	●
A-max 26	152-158	GP 32, 1.0 - 6.0 Nm	347	●
A-max 26	152-158	GS 38, 0.1 - 0.6 Nm	353	●
A-max 26	152-158	GP 32 S	374-379	●

Technical Data	
Supply voltage V_{CC}	$5 V \pm 10\%$
Typical current draw	18 mA
Output signal	TTL compatible
Phase shift Φ	$90^\circ \pm 45^\circ$
Signal rise time (typically, at $C_L = 25 \text{ pF}$, $R_L = 11 \text{ k}\Omega$, 25°C)	200 ns
Signal fall time (typically, at $C_L = 25 \text{ pF}$, $R_L = 11 \text{ k}\Omega$, 25°C)	50 ns
Operating temperature range	$-20 \dots +85^\circ\text{C}$
Moment of inertia of code wheel	$\leq 0.05 \text{ gcm}^2$
Output current per channel	min. -1 mA, max. 5 mA

