



新产品手册
New Products Catalogue

Φ 10,12 Metal Pushbutton Switch



Φ 22,25,28,30 Metal Pushbutton Switch (Screw terminal type)



Metal Touch Switch



Button Box



Φ 16 Metal Pushbutton Switch (Screw terminal type)



Φ22 Metal Pushbutton Switch



Φ40 Warning Light



Metal Button Box



Door control Panel



Part-number Description

LAS4GQ	-	□	■	◇	/	△	/	▲	/	◎
Code of series	Contact Structure	Operation Mode	Lamp type	Lamp color	Lamp voltage	The Crust Material				
	11 1NO1NC	Z Latching No letter means Momentary	E Ring No letter means no lamp	R Red G Green Y Yellow O Orange B Blue W White	AC/DC 6V AC/DC 12V AC/DC 24V AC/DC 36V 6,12,24,36VAC/ DC are inner resistor, other voltage can be made to order and need to connect an outer resistor.	S Stainless Steel Only have Stainless Steel now, other material can be made to order				

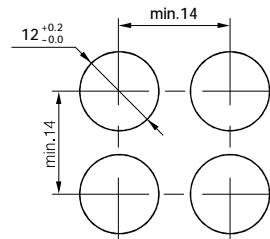
Note: Pls read the catalogue carefully, and choose the right part-number according to the sign.

Switch Rating

Rated Insulation Voltage Ui		250V				
Thermal Current Ith		3A				
Rated Voltage		12V	24V	110V	220V	
Rated Operation Current	AC 50/60Hz	Resistive load	—	—	1A	0.5A
		Inductive load	—	—	0.7A	0.5A
	DC	Resistive load	1A	1A	0.2A	—
		Inductive load	0.7A	0.7A	0.1A	—
Contact material		Silver Alloy				

Minimum Load: 3V AC/DC 5mA (Reference)
Application scope depends on operating environment and load type

Diameter of Installation Hole



Specifications

Operating Temperature	-25~ +55 °C	
Operating Humidity	45-85%RH	
Contact Resistance	≤50mΩ	
Insulation Resistance	≥100MΩ	
Dielectric Strength	Between Contact and LED Pin	1500V AC
	Between Same electrode terminal	1000V AC
	Between different electrode terminal	2000V AC
Operation Travel	(Button) About 2.5mm	
Solder Heat Resistance	320°C (or 30W soldering iron) no more than 2 seconds	
Life	Mechanical Life	Momentary: 200,000 cycles, Latching: 100,000 cycles
	Electrical Life	More than 50,000 cycles

Lamp Ratings

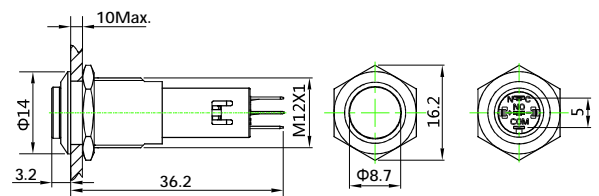
Lamp Type	LED Lamp (AC/DC)		
Rated Voltage	AC/DC6V	AC/DC12V	AC/DC24V
	AC/DC110V		AC/DC220V
LED Color	R	G	Y O B W
Life	About 40000 hours		

Noted: 5,6,12,24V are with inner resistor, other voltage need to connect an outer resistor. DC LED and other voltage can be made to order; Red&Green bi-color lamp (two pin) can be made to order.

LAS4GQH-11 ■/S



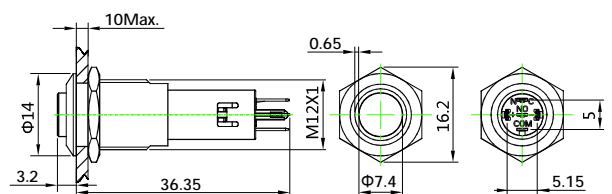
- ⊙ Diameter: Φ12mm
- ⊙ Switch rating: 0.5A/220V
- ⊙ Contact Configuration: 1NO1NC
- ⊙ Operation type(■): Momentary / Latching(Z)
- ⊙ The Crust Material: Stainless steel
- ⊙ IP Degree: IP40
- ⊙ Terminal type: Pin terminal(1.8x0.4)



LAS4GQH-11 ■/E/△/▲/S



- ⊙ Diameter: Φ12mm
- ⊙ Switch rating: 0.5A/220V
- ⊙ Contact Configuration: 1NO1NC
- ⊙ Operation type(■): Momentary / Latching(Z)
- ⊙ Lamp type: Ring type
- ⊙ LED color(△): R G Y O B W
- ⊙ LED voltage(▲): 6V/12V/24V/36V
- ⊙ The Crust Material: Stainless steel
- ⊙ IP Degree: IP40
- ⊙ Terminal type: Pin terminal(1.8x0.4)



Part-number Description

GQ10-K	-	□	■	◇	/	△	/	▲	/	◎
Code of series	Contact Structure 11 1N01NC	Operation Mode Z Latching No letter means Momentary	Lamp type E Ring No letter means no lamp	Lamp color R Red G Green Y Yellow O Orange B Blue W White	Lamp voltage AC/DC 6V AC/DC 12V AC/DC 24V AC/DC 36V 6,12,24,36VAC/ DC are inner resistor, other voltage can be made to order and need to connect an outer resistor.	The Crust Material S Stainless Steel Only have Stainless Steel now, other material can be made to order				

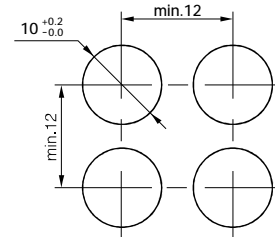
Note: Pls read the catalogue carefully, and choose the right part-number according to the sign.

Switch Rating

Rated Insulation Voltage Ui		250V					
Thermal Current Ith		3A					
Rated Voltage		12V	24V	110V	220V		
Rated Operation Current	AC 50/60Hz	Resistive load	—	—	1A	0.5A	
		Inductive load	—	—	0.7A	0.5A	
	DC	Resistive load	1A	1A	0.2A	—	
		Inductive load	0.7A	0.7A	0.1A	—	
Contact material		Silver Alloy					

Minimum Load: 3V AC/DC 5mA (Reference)
Application scope depends on operating environment and load type

Diameter of Installation Hole



Specifications

Operating Temperature	-25~ +55 °C	
Operating Humidity	45-85%RH	
Contact Resistance	≤50mΩ	
Insulation Resistance	≥100MΩ	
Dielectric Strength	Between Contact and LED Pin	1500V AC
	Between Same electrode terminal	1000V AC
	Between different electrode terminal	2000V AC
Operation Travel	(Button) About 2.5mm	
Solder Heat Resistance	320°C(or 30W soldering iron) no more than 2 seconds	
Life	Mechanical Life	Momentary: 200,000 cycles, Latching: 100,000 cycles
	Electrical Life	More than 50,000 cycles

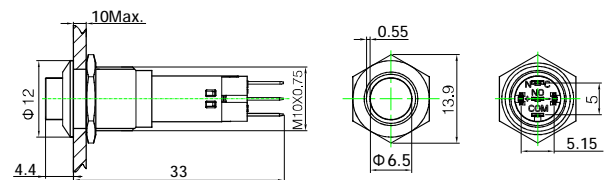
Lamp Ratings

Lamp Type	LED Lamp (AC/DC)		
Rated Voltage	AC/DC6V	AC/DC12V	AC/DC24V
	AC/DC110V		AC/DC220V
LED Color	R	G	Y O B W
Life	About 40000 hours		
Noted: 6,12,24V are with inner resistor, other voltage need to connect an outer resistor. DC LED and other voltage can be made to order; Red&Green bi-color lamp (two pin) can be made to order.			

GQ10-K-11 ■/S



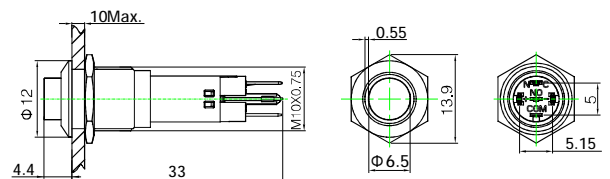
- Diameter: Φ10mm
- Switch rating: 0.5A/220V
- Contact Configuration: 1N01NC
- Operation type(■): Momenraty / Latching(Z)
- The Crust Material: Stainless steel
- IP Degree: IP40
- Terminal type:Pin terminal(1.8x0.4)



GQ10-K-11 ■/E/△/▲/S



- Diameter: Φ10mm
- Switch rating: 0.5A/220V
- Contact Configuration: 1N01NC
- Operation type(■): Momenraty / Latching(Z)
- Lamp type: Ring type
- LED color(△): R G Y O B W
- LED voltage(▲): 6V/12V/24V/36V
- The Crust Material: Stainless steel
- IP Degree: IP40
- Terminal type:Pin terminal(1.8x0.4)





Part-number Description

GQ16	★	-	□	◇	/	L	/	△	/	▲	/	○
Code of series	The Front shape	Contact structure	Lamp type	Connet type	Lamp color and colored button		Lamp voltage		Crust material			
	B Domed F Flat Round H High Round	10 1NO	D Dot E Ring	L screw terminal	R Red G Green Y Yellow O Orange B Blue W White N Black		AC/DC 6V AC/DC 12V AC/DC 24V AC/DC 110V AC/DC 220V Note: Other voltage can be made to order		S Stainless steel			

Note : Pls read the catalogue carefully, and choose the right part-number according to the sign.

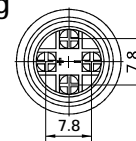
Specifications

Operating Temperature	- 25°C~ +55°C(no freezing) keep the air flowing around illuminated pushbutton
Operating Humidity	45-85% RH(no condensation)
Contact Resistance	≤50mΩ
Insulation Resistance	≥1000MΩ
Dielectric Strength	2000V, A C50Hz, 5 seconds
Vibration Resistance	50Hz, Amplitude 1.2mm
Shock Resistance	> 10g
Solder Heat Resistance	320°C(or 30W soldering iron) no more than 2 seconds)

Standard and Certification

Standard	Certification Mark	Certificate Authority /Certification Number
EN61058-1:2002+A2:2008 EN60947-1:2004 GB14048.5-2008	CE CE CCC	VOV/VT11018807 CTS/CTS070706-01006-E CQC/2015010305783471

Terminal drawing



screw terminal with lamp push button

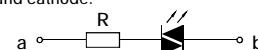
Switching Operation

Type	X
Sign	
Diagram	

Note: Using two terminals, double-break and slow-motion contact

Lamp Ratings

Lamp Type	LED lamp(AC/DC)
Lamp Color	R G Y O B W
Life	40000 hours (Reference)
Rated Voltage	AC/DC6V, AC/DC12V, AC/DC24V, AC/DC220V
Rated Current	About 15mA
DroppingWay	Inner resistance
Lamp Circuit Diagram	Using AC/DCLED lamp, the terminals have no difference of anode and cathode.



Note: DC LED and other voltage can be made to order.

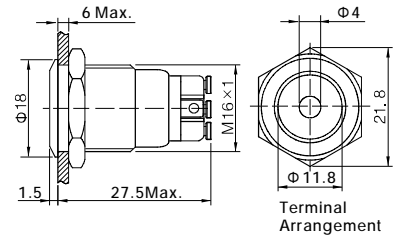
GQ16 Anti-vandal Water-proof Metal push button

ONPOW®

GQ16F-10D/L/Δ/▲/S For signal lamp, part number is: GQ16F-D/L/Δ/▲/S



stainless steel

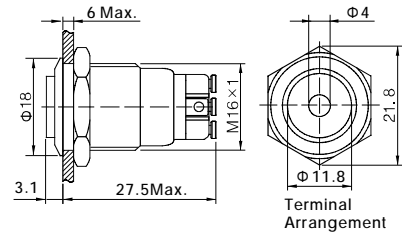


Terminal Arrangement

GQ16H-10D/L/Δ/▲/S For signal lamp, part number is: GQ16H-D/L/Δ/▲/S



stainless steel

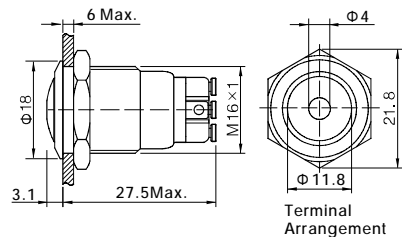


Terminal Arrangement

GQ16B-10D/L/Δ/▲/S For signal lamp, part number is: GQ16B-D/L/Δ/▲/S



stainless steel

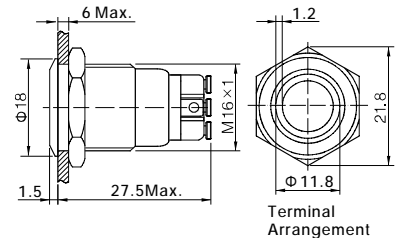


Terminal Arrangement

GQ16F-10E/L/Δ/▲/S For signal lamp, part number is: GQ16F-E/L/Δ/▲/S



stainless steel

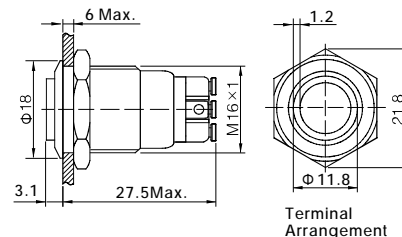


Terminal Arrangement

GQ16H-10E/L/Δ/▲/S For signal lamp, part number is: GQ16H-E/L/Δ/▲/S



stainless steel

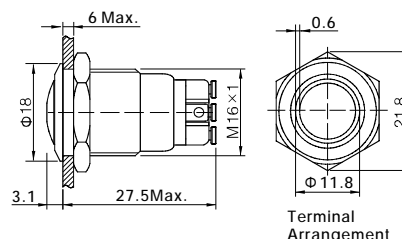


Terminal Arrangement

GQ16B-10E/L/Δ/▲/S For signal lamp, part number is: GQ16B-E/L/Δ/▲/S



stainless steel

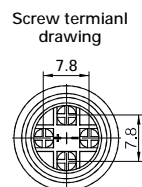


Terminal Arrangement

- ⊙ Diameter: Φ16mm
- ⊙ Switch Rating: 2A/36VDC
0.5A/220V
- ⊙ Contact Configuration: 1NO
- ⊙ Operation Type: Momentary
- ⊙ LED Color(Δ): R G Y O B W
- ⊙ LED Voltage(▲): 6V/12V/24V/110V/220V
- ⊙ The Crust Material(⊙): Stainless steel(S)
- ⊙ IP Degree: IP65(IP67 can be customized),IK08

- ⊙ Terminal Type: screw terminal
- ⊙ Switching: x(double-break slow moving contact)
- ⊙ Panel Thickness: 1~6mm
- ⊙ Torque: About 0.6Nm
- ⊙ Mechanical Life: 1,000,000 cycles
- ⊙ Electrical Life: > 200,000 cycles(36VDC)
> 50,000 cycles(220VAC)

- ⊙ Actuator Material: Stainless steel
- ⊙ Crust Material: Stainless steel
- ⊙ Base Material: PA
- ⊙ Operation Pressure: 2.5~4N
- ⊙ Operation Travel: About 1.5mm
- ⊙ **RoHS** Made to order





Part-number Description

GQ22	-	A	-	□	■	◇	/	◆●	/	△	/	▲	/	○
Code of series	Code Name	Contact Structure 11 1NO1NC 22 2NO2NC	Operation mode Z Latching type X Selector type Y Key-lock type TSB Emergency stop B type	Lamp type D Dot E Ring	◆ Operation position of selector and Key-lock type 2 Two position 3 Three position	Lamp color R red G green Y yellow O orange B blue W white	Lamp voltage AC/DC 6V AC/DC 12V AC/DC 24V AC/DC 110V AC/DC 220V	The Crust Material S stainless steel						
		See the detailed description which are available	No letter means momentary		● Operation type of selector and Key-lock type 1 Maintain 3 Return		Other voltage can be made to order							

Note: Please read the catalog carefully, and choose the right part-number according to the sign.

GQ22-A Switching Operation

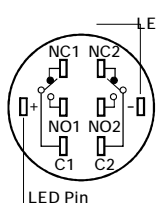
Rated Insulation Voltage Ui		250V				
Thermal Current Ith		Max. 5A				
Rated voltage		12V	24V	110V	220V	
Rated Operation Current	AC 50/60Hz	Resistive load	—	1A	0.5A	
		Inductive load	—	0.7A	0.5A	
	DC	Resistive load	1A	1A	0.2A	—
		Inductive load	0.7A	0.7A	0.1A	—
Contact material		Silver Alloy				

Minimum load: 3V AC/DC, 5mA (Reference)
Application scope depends on operating environment and load type

Performance Characteristic

Operating Temp	-25°C~+55°C (Non freezing) Keep the switch air circulating well
Operating Humidity	45-85%RH(Non condensing)
Contact Resistance	≤50mΩ
Insulation Resistance	≥1000MΩ
Max. withstanding Voltage	2000V, AC50Hz, 5s
Vibration Resistance	50Hz, amplitude about 1.2mm
Shock Resistance	> 10g
Solder Heat Resistance	320°C (or 30W soldering iron) no more than 2s

Terminal Description



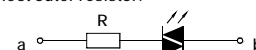
LED Pin two sets at most
C1NO1NC1 and C2NO2NC2
are one set respectively. C is common used,
NO is normal opened, NC is normal closed;
+- are lamp terminals, the standard LED
have no difference of anode and cathode;
Lamp and switch are relatively independent
and can use switch or peripheral circuit to
control the lamp state.

Standard and Certificate

Standard	Certification mark	Certification Authority/Number
UL508		UL/E254053 E344706
EN61058		VDE/40001664
GB14048.5-2008		CQC/2011010305467129
EN61058-1:2002+A2:2008		VOV/VT11018806
EN60947-1:2004	CE	CTS/CTS070706-01006-E

Lamp Ratings

Lamp Type	LED lamp(AC/DC)
LED Color	R G Y O B W
Life	40000 hours (Reference)
Rated Voltage	AC/DC6V, AC/DC12V, AC/DC110V, AC/DC24V, AC/DC36V, AC/DC220V
Rated Current	About 15mA; About 2mA
Dropping Way	Inner resistor
Lamp Circuit Diagram	Using AC/DC LED lamp, the terminals have no difference of anode and cathode; Using inner resistor, do not need connect outer resistor.



Note: DC LED and other voltage can be made to order.

Switching Operation

Type	Diagram	Sign
C		

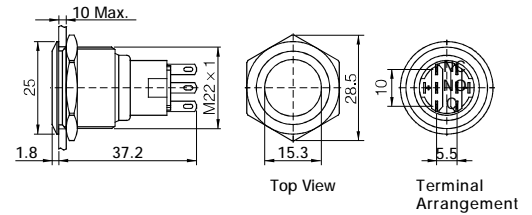
GQ22-A Anti-vandal Water-proof Metal push button



GQ22-A-□■/S
flat round



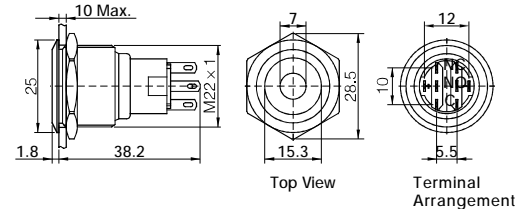
stainless steel



GQ22-A-□■D/△/▲/S For signal lamp, part number is: GQ22-A-D/△/▲/S
flat round, dot illuminated



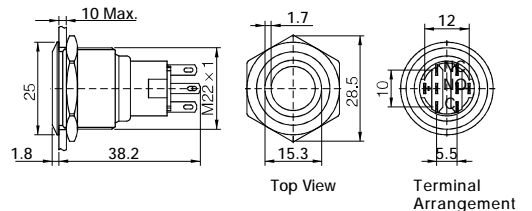
stainless steel



GQ22-A-□■E/△/▲/S For signal lamp, part number is: GQ22-A-E/△/▲/S
flat round, ring illuminated



stainless steel

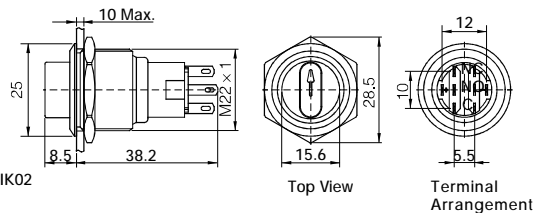


GQ22-A-□X/◆●/△/▲/☆/S
illuminated selector switch



stainless steel

Operation Position(◆●):
90° 2 position maintain(21)
90° 2 position return(23)
45° 3 position maintain(31)
45° 3 position return(33)
IP Degree(☆):
return IP40,
maintain IP65(IP67 made to order); IK02

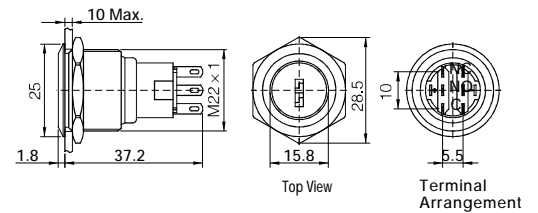


GQ22-A-□Y/◆●/S
key-lock switch

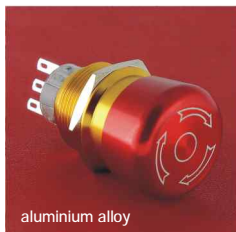


stainless steel

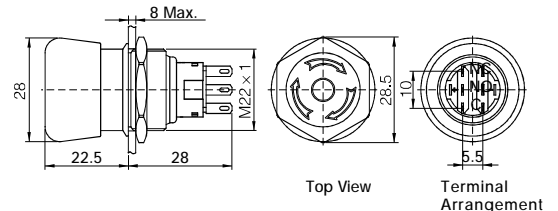
Operation Type(◆●):
90° 2 position maintain (21)
90° 2 position return (23)
45° 3 position maintain(31)
IP Degree: IP40, IK02



GQ22-A-□TSB
emergency-stop switch



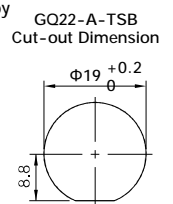
aluminium alloy



- ⊙ Diameter: Φ 22mm
- ⊙ Switch Rating: Ith:5A, Ui:250V
- ⊙ Contact Configuration: 1NO1NC(11)/2NO2NC(22)
- ⊙ Operation Type(■): Momentary / Latching(Z)
- ⊙ LED Color(△): R G Y O B W
- ⊙ LED Voltage(▲): 6V/12V/24V/110V/220V
- ⊙ IP Degree: IP65,IK09(pushbutton switch)
IP65,IK02(emergency-stop switch)

- ⊙ Terminal Type: Pin terminal(2.8 × 0.5m)
- ⊙ Switching: C(single-break fast-motion
changeover contact)
- ⊙ Mechanical Life: Selector switch:500,000 cycles
Key-lock switch:200,000 cycles
- ⊙ Electrical Life: >50, 000 cycles

- ⊙ Actuator Material: Stainless steel/Aluminium alloy
- ⊙ Crust Material: Stainless steel/Aluminium alloy
- ⊙ Base Material: PBT
- ⊙ Operation Pressure: About 2N(1NO1NC)
About 3N(2NO2NC)
- ⊙ Operation Travel: About 3.1mm
- ⊙ **RoHS** Made to order



**GQ22-L, GQ25-L, GQ28-L, GQ30-L
SCREW TYPE
METAL PUSHBUTTON**



Part-number Description

GQ22	-	L	-	□	■	◇	/	△	/	▲	/	○	
GQ25	Code Name		Contact Structure		Operation mode		Lamp type		Lamp color		Lamp voltage		
GQ28			11 1NO1NC		Z latching		D Dot E Ring		R red G green Y yellow O orange B blue W white		AC/DC 6V AC/DC 12V AC/DC 24V AC/DC 110V AC/DC 220V		
GQ30					No letter means momentary						Other voltage can be made to order		
Code of Series												Crust material S stainless steel	

Note: Please read the catalog carefully, and choose the right part-number according to the sign.

GQ22-L, GQ25-L, GQ28-L, GQ30-L Switch Rating

Rated Insulation Voltage Ui			250V			
Thermal Current I _{th}			5A			
Rated voltage			12V	24V	110V	220V
Rated Operation Current	AC 50/60Hz	Resistive load	—	—	5A	3A
		Inductive load	—	—	3A	2A
	DC	Resistive load	5A	5A	1A	0.5A
		Inductive load	2A	2A	0.2A	0.1A
Contact material			Silver Alloy			

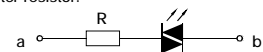
Minimum load: 3V AC/DC, 5mA (Reference)
Application scope depends on operating environment and load type

Performance Characteristic

Operating Temp	-25°C~+55°C (Non freezing) Keep the switch air circulating well
Operating Humidity	45~85%RHRH(Non condensing)
Contact Resistance	≤50mΩ
Insulation Resistance	≥1000MΩ
Max. withstanding voltage	2000V, AC50Hz, 5s
Vibration resistance	50Hz, amplitude about 1.2mm
Shock resistance	> 10g
Solder heat resistance	320°C (or 30W soldering iron) no more than 2s

Lamp Ratings

Lamp Type	LED lamp(AC/DC)
LED Color	R G Y O B W
Life	40000 hours (Reference)
Rated Voltage	AC/DC6V, AC/DC12V, AC/DC110V, AC/DC24V, AC/DC36V, AC/DC220V
Rated Current	5~48V about 15mA; 110~250V about 2mA
Dropping Way	Inner resistor
Lamp Circuit Diagram	Using AC/DC LED lamp, the terminals have no difference of anode and cathode: Using inner resistor, do not need connect outer resistor.



Note: DC LED and other voltage can be made to order.

Switching Operation

Type	Diagram	Sign
Za		

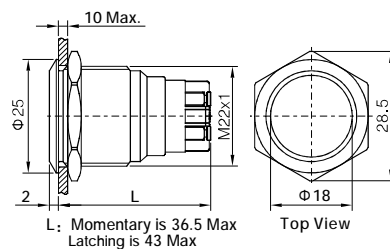
GQ22-L, GQ25-L Anti-vandal Water-proof Metal Push Button



GQ22-L-11■/S



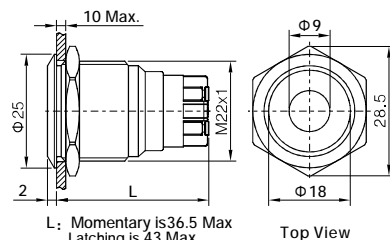
stainless steel



GQ22-L-11■D/△/▲/S For signal lamp, part number is: GQ22-L-D/△/▲/S



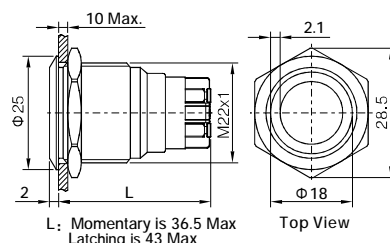
stainless steel



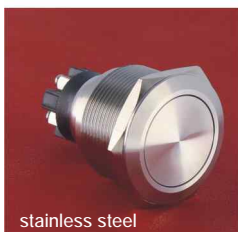
GQ22-L-11■E/△/▲/S For signal lamp, part number is: GQ22-L-E/△/▲/S



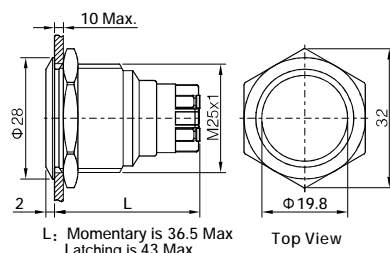
stainless steel



GQ25-L-11■/S



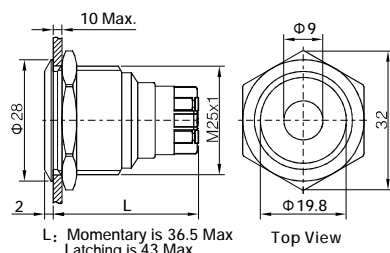
stainless steel



GQ25-L-11■D/△/▲/S For signal lamp, part number is: GQ25-L-D/△/▲/S



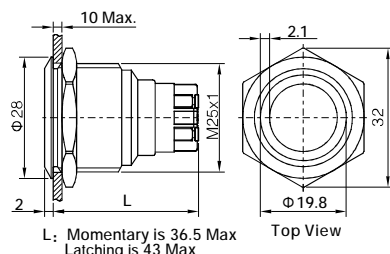
stainless steel



GQ25-L-11■E/△/▲/S For signal lamp, part number is: GQ25-L-E/△/▲/S



stainless steel

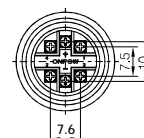


- ⊙ Diameter: Φ22mm, Φ25mm
- ⊙ Switch Rating: Ith:5A, Ui:250V
- ⊙ Contact Configuration: 1NO1NC
- ⊙ Operation Type(■): Momentary / Latching(Z)
- ⊙ LED Color(△): R G Y O B W
- ⊙ LED Voltage(▲): 6V/12V/24V/110V/220V
- ⊙ IP Degree: IP65(Momentary type can customize IP67),IK09

- ⊙ Terminal Type:Screw
- ⊙ Switching: Za(double-break fast-motion changeover contact)
- ⊙ Panel Thickness: 1 ~ 10mm
- ⊙ Mechanical Life: > 1,000,000 cycles
- ⊙ Electrical Life: > 50, 000 cycles
- ⊙ Torque: about 0.8Nm

- ⊙ Actuator Material: Stainless steel
- ⊙ Crust Material: Stainless steel
- ⊙ Base Material: PA/PC
- ⊙ Operation Pressure: About 4N(IP65)
- ⊙ Operation Travel: About 2.5mm
- ⊙ RoHS Made to order

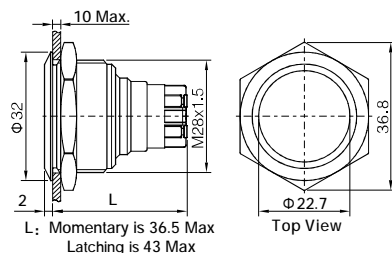
Terminal Arrangement



GQ28-L-11■/S



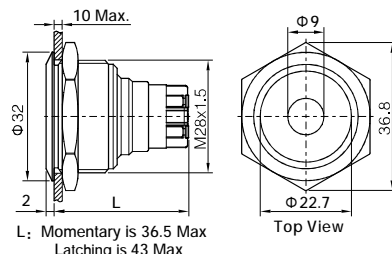
stainless steel



GQ28-L-11■D/△/▲/S For signal lamp, part number is: GQ28-L-D/△/▲/S



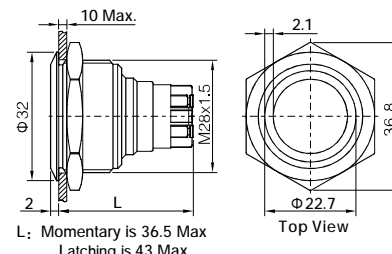
stainless steel



GQ28-L-11■E/△/▲/S For signal lamp, part number is: GQ28-L-E/△/▲/S



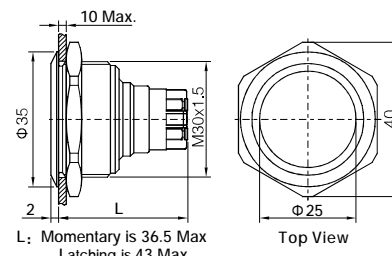
stainless steel



GQ30-L-11■/S



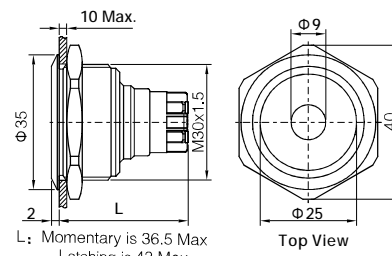
stainless steel



GQ30-L-11■D/△/▲/S For signal lamp, part number is: GQ30-L-D/△/▲/S



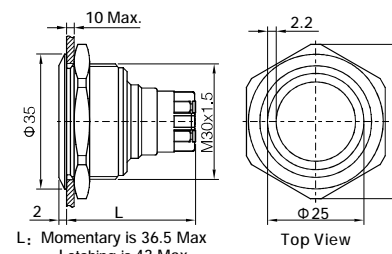
stainless steel



GQ30-L-11■E/△/▲/S For signal lamp, part number is: GQ30-L-E/△/▲/S



stainless steel

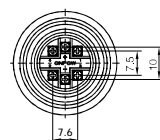


- ⊙ Diameter: $\Phi 28\text{mm}, \Phi 30\text{mm}$
- ⊙ Switch Rating: Ith:5A, Ui:250V
- ⊙ Contact Configuration: 1NO1NC
- ⊙ Operation Type(■): Momentary / Latching(Z)
- ⊙ LED Color(△): R G Y O B W
- ⊙ LED Voltage(▲): 6V/12V/24V/110V/220V
- ⊙ IP Degree: IP65(Momentary type can customize IP67),IK09

- ⊙ Terminal type: screw terminal
- ⊙ Switching: Za(double-break fast motion changeover contact)
- ⊙ Panel Thickness: 1 ~ 10mm
- ⊙ Mechanical Life: > 1,000,000 cycles
- ⊙ Electrical Life: > 50, 000 cycles
- ⊙ Torque: about 0.8Nm

- ⊙ Actuator Material: Stainless steel
- ⊙ Crust Material: Stainless steel
- ⊙ base material: PA/PC
- ⊙ Operation Pressure: About 4N(IP65)
- ⊙ Operation Travel: About 2.5mm
- ⊙ **RoHS** Made to order

Terminal Arrangement



HBJD series 40type Warning Light

Specifications

- Operating Temperature: $-25^{\circ}\text{C} \sim +55^{\circ}\text{C}$
- Relative air humidity: $\leq 98\%$
- Height above sea level: $\leq 2000\text{m}$
- Vibration strength: 50Hz, amplitude about 1.2mm
- Continuous working time: 40000 hrs (LED continual light type)
25000hrs (LED flash light type)
- Sound pressure level: 80-90dB (1m)
- Pollution class: class 3



Part-number Description

HBJD	-	40	/	□	/	■	/	△	/	▲	/	●
Code of series	Size: $\Phi 40\text{mm}$	Signal source: D Continual light DZ Continual buzzer with continual light DW Discontinuous buzzer with continual light	Layers: 1 one layer 2 two layers 3 three layers	Color: From up to down	Use voltage: AC/DC 24V AC 220V	Installation method: A Standard type B with base C Side install with nut						

Installation instruction

washer washer washer
 hex nut side install bottom HBJD-CZ-4 adapter sleeve HBJD-LJT-1
 waterproof contact hex nut aluminum alloy connecting rod(100mm) HBJD-LG-1
 round base HBJD-SZ-2

A standard type

C Side installation with nut

B with base

A standard

C side installation
I with nut

B with base

HBJD series 40type Warning Light

Product outline

HBJD - 40 / □ / ■ / △ / ▲ / ●



single layer



single layer with buzzer



two layers



two layers with buzzer



three layers




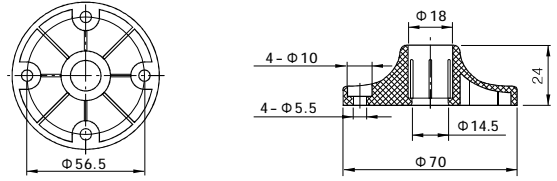

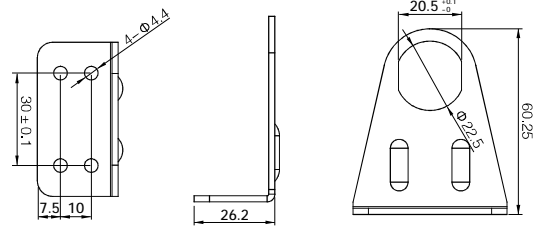

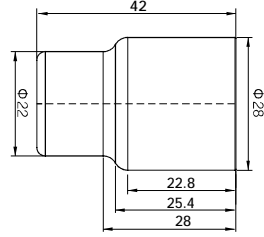

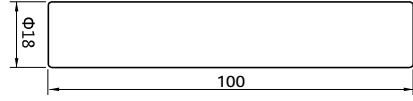
three layers with buzzer

□ Sound and light type	■ Layer number	△ Led color	▲ Service voltage	● Way to install	Dimension figure
D:Continual light	1:one layer	R G B Y W	24V:DC24V 220V:AC220V	A Standard type B with base C Side installation with nut	
DZ Continual buzzer with continual light DW Discontinuous buzzer with continual light	1:one layer (with buzzer)	R G B Y W	24V:DC24V 220V:AC220V	A Standard type B with base C Side installation with nut	
D:Continual light	2:two layers	R G B Y W	24V:DC24V 220V:AC220V	A Standard type B with base C Side installation with nut	
DZ Continual buzzer with continual light DW Discontinuous buzzer with continual light	2:two layers (with buzzer)	R G B Y W	24V:DC24V 220V:AC220V	A Standard type B with base C Side installation with nut	
D:Continual light	3:three layers	R G B Y W	24V:DC24V 220V:AC220V	A Standard type B with base C Side installation with nut	
DZ Continual buzzer with continual light DW Discontinuous buzzer with continual light	3:three layers (with buzzer)	R G B Y W	24V:DC24V 220V:AC220V	A Standard type B with base C Side installation with nut	

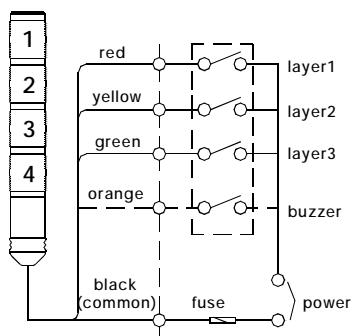
Note: special voltage made to order; LED color mark from up to down.

HBJD series 40type Warning Light accessories

Product cutline

Cutline and part number	Dimension figure
 <p>Vertical installed base HBJD-SZ-2</p>	
 <p>Side installed base HBJD-CZ-4</p>	
 <p>Connecting sleeve HBJD-LJT-1</p>	
 <p>aluminum alloy connecting rod(100mm) HBJD-LG-1</p>	

wiring diagram



Matters needing attention:

To preventing of fire and electric shock from happening; Users must pay attention of following matters;

- ⊙ Power must be cut off before installation; construction and inspection!
- ⊙ No open fire around this product, operating temperature ≤55℃!
- ⊙ Power line must be approved by safety usage standard!
- ⊙ Base and connecting part assembly must be reliable!
- ⊙ Installation and maintain of this product must be operated by professional!

ONPOW®

**BXA
Push Button Box**

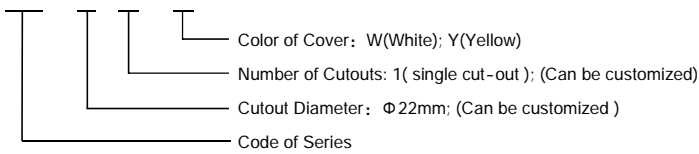


Products details

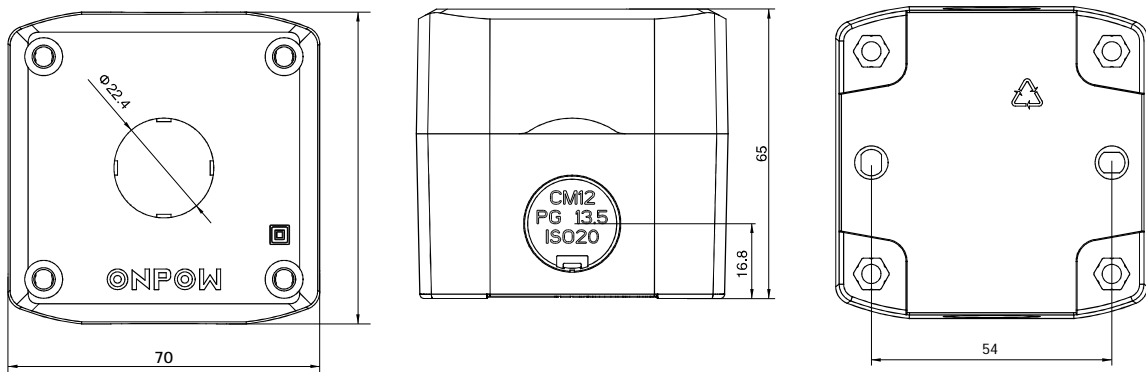
- ⦿ The BXA push button enclosures are made of high-performance engineering plastics and have great resistance to chemical agents.
- ⦿ Can be used in severe environments (dirty, dusty or weak acid circumstance)
- ⦿ For applications in electric, lighting industry, etc.
- ⦿ Designed for use with $\Phi 22\text{mm}$ push buttons, selector switches, pilot lights, etc.
- ⦿ IP degree: IP65.

Part-number Description

BXA - □ / ■ / △



Dimensions





BXM Aluminium Alloy Push Button Box

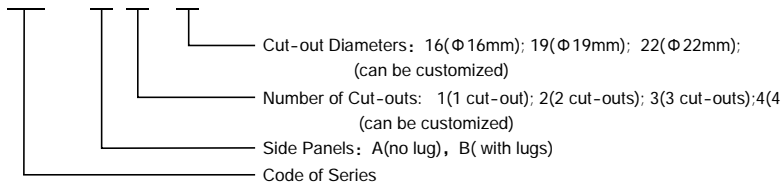


Product details

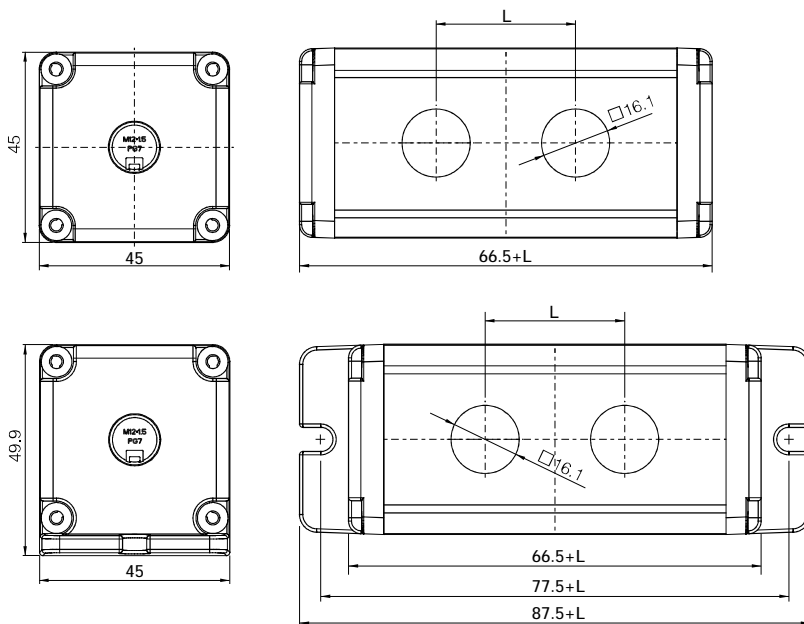
- ⊙ The BXM push button enclosure have aluminium alloy body and engineering plastic side panels which ensure an increased degree of protection against heat and chemical products.
- ⊙ Can be used in severe environments (dirty, dusty or weak acid circumstance).
For applications in electric, lighting industry, etc.
- ⊙ Standard cut-out: $\Phi 16\text{mm}$, $\Phi 19\text{mm}$, $\Phi 22\text{mm}$; With single or multiple cut-outs (Can be made to order).
- ⊙ Side panels: A (panels without lug), B (panels with lugs)
- ⊙ Size: (Width) 45* (height) 45; length depends on number of cut-outs.
- ⊙ IP Degree: IP40

Part-number Description

BXM - ☆ □ / ■



Dimensions



	1 cut-out	2 cut-outs	3 cut-outs	4 cut-outs	5 cut-outs
L	0mm	33mm	66mm	99mm	132mm

Note: L stands for the distance between two centers;
Length of the enclosure: 66.5+L.

**MJ
Door Release Panel**



Product details

- ⊙ Standard Structure: Aluminium alloy panel with metal pushbutton switch
- ⊙ Application: Hollow door, concealing box, etc.
- ⊙ Surface: Wire drawing finish
- ⊙ Symbols: Laser engraving (can be customized)



Part-number Description

MJ - □ / ■ / ▲

- Color of Panel: W(White); Y(Yellow)
- Cut-out Diameter: 16(Φ 16mm); 19(Φ 19mm); 22(Φ 22mm); (can be customized)
- Panel Dimensions: 1(86x86mm), 2(115x70mm), 3(115x40mm)
- Code of Series

Dimensions

