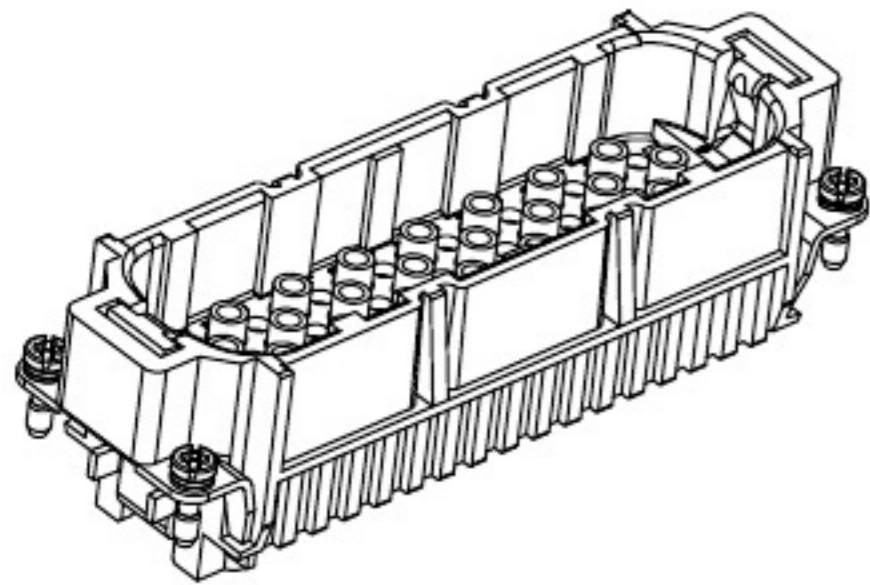
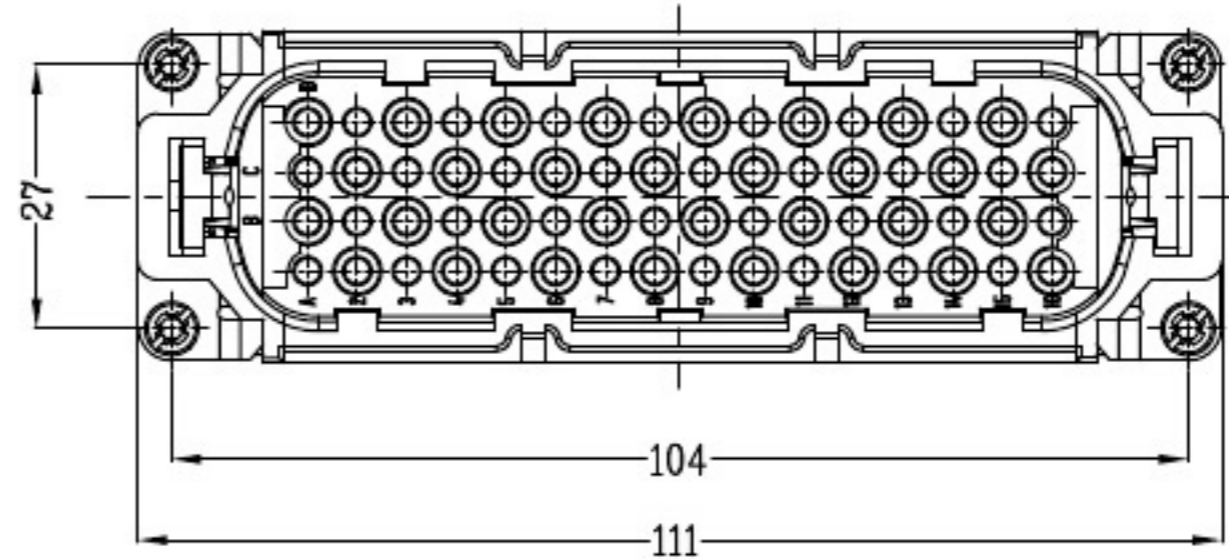
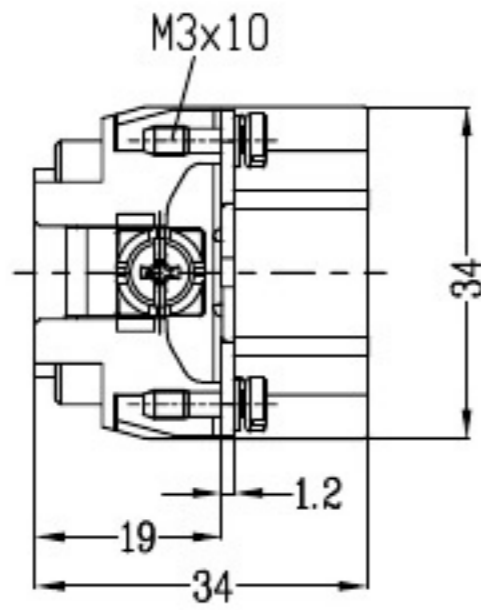

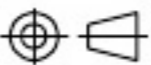


		REVISION DATA		
SYM	ECN	DESCRIPTION	DATE	APPROVED



	SIGNATURE	DATE	Units	mm	 宁波欧科瑞连接器有限公司 NINGBO OKERUI CONNECTOR CO.,LTD.	
DRAW			Size	A4	PART NAME	HZW-HD-064-MC
DESIGN			Scale	1:1	Drawing NO.	61 204 064 451
CHECK			Sheet	1/1	File path	OKR.HDP.064MC
APPROVE			Proj.			REV A0