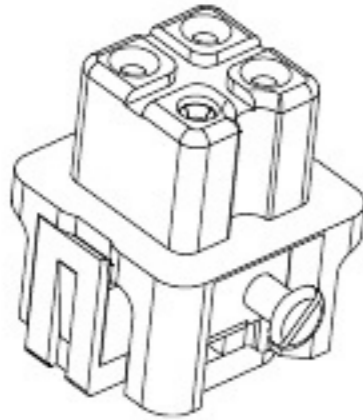
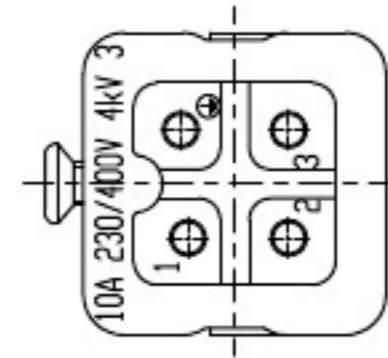
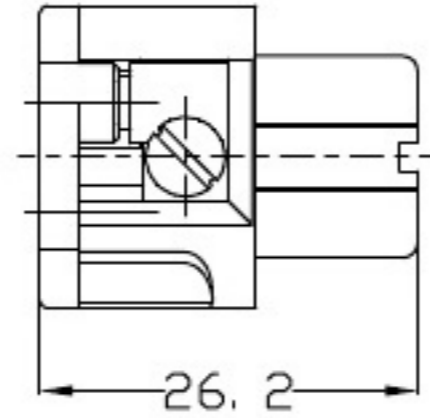
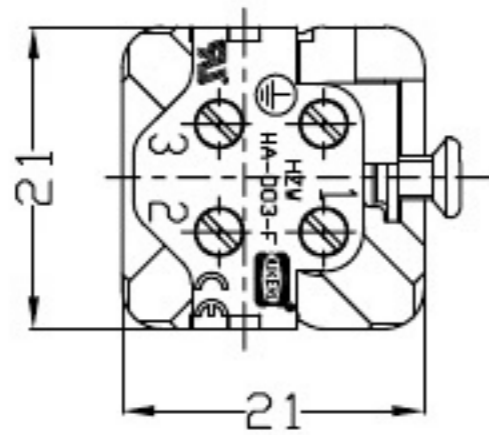



REVISION DATA				
SYM	ECN	DESCRIPTION	DATE	APPROVED



	SIGNATURE	DATE	Units	mm	 宁波欧科瑞连接器有限公司 NINGBO OKERUI CONNECTOR CO.,LTD.	
DRAW			Size	A4	PART NAME	HZW-HA-003-F
DESIGN			Scale	1.5:1	Drawing NO.	61 201 003 102 REV
CHECK			Sheet	1/1	File path	OKR.HAP.003F A0
APPROVE			Proj.	