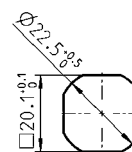
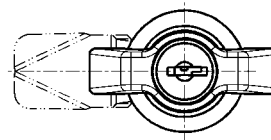
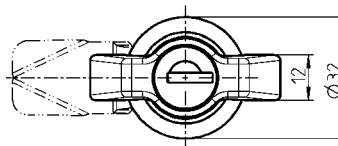
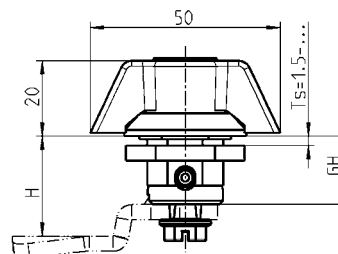
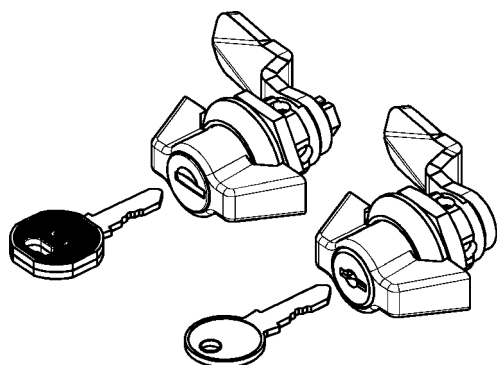


Wing knob

PROGRAM 1000



Cut out

Cylinder zinc die

Each cylinder has one silver steel key with polyamide GF grip black.
Screw and nut m.s. zinc plated.
Key removable in both positions.

Cylinder polyamide

Each cylinder has one m.s. nickel plated key.
Screw and nut m.s. zinc plated.
Key removable in both positions.

Wing knob

Handle, housing zinc die chrome pl., with sealing nut, earthnut and screw m.s. zinc plated
cylinder zinc die with stainless steel cap and shutter

IP 65

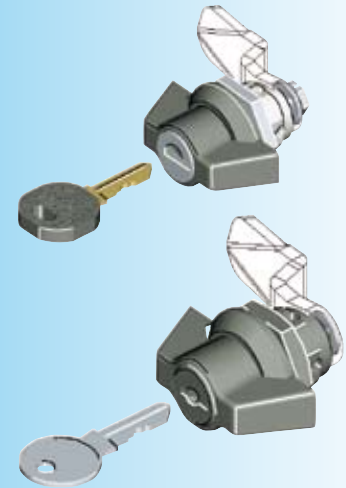
| GH 18 mm | Ts 1,5 - 8 mm | non locking | keyed EK 333 | Keyed different |
|-------------|------------------|-------------|--------------|-----------------|
| | with nut | 1000-U149 | 1000-U150 | 1000-U151 |
| | with earthnut | 1000-U152 | 1000-U153 | 1000-U154 |
| 30 mm | 20 mm | | | |
| | with nut | 1000-U269 | 1000-U271 | 1000-U273 |
| | with earthnut | 1000-U270 | 1000-U272 | 1000-U274 |
| 40 mm | 30 mm | | | |
| | with nut | 1000-U275 | 1000-U277 | 1000-U279 |
| | with earthnut | 1000-U276 | 1000-U278 | 1000-U280 |
| 50 mm | 40 mm | | | |
| | with nut | 1000-U281 | 1000-U283 | 1000-U285 |
| | with earthnut | 1000-U282 | 1000-U284 | 1000-U286 |
| 60 mm | 50 mm | | | |
| | with nut | 1000-U633 | 1000-U635 | 1000-U637 |
| | with earthnut | 1000-U634 | 1000-U636 | 1000-U638 |



| Wing knob | | Handle and housing zinc die black powder coated, earthnut and screw m.s. zinc plated, with seal cylinder zinc die, with stainless steel cap and shutter | | |
|--------------------|----------------------|---|--------------|-----------------|
| IP 65 | | non locking | keyed EK 333 | keyed different |
| GH 18 mm | Ts 1,5 - 8 mm | | | |
| with nut | | 1000-U241 | 1000-U237 | 1000-U239 |
| with earthnut | | 1000-U242 | 1000-U238 | 1000-U240 |
| 30 mm | 20 mm | | | |
| with nut | | 1000-U403 | 1000-U405 | 1000-U407 |
| with earthnut | | 1000-U404 | 1000-U406 | 1000-U408 |
| 40 mm | 30 mm | | | |
| with nut | | 1000-U409 | 1000-U411 | 1000-U413 |
| with earthnut | | 1000-U410 | 1000-U412 | 1000-U414 |
| 50 mm | 40 mm | | | |
| with nut | | 1000-U415 | 1000-U417 | 1000-U419 |
| with earthnut | | 1000-U416 | 1000-U418 | 1000-U420 |
| 60 mm | 50 mm | | | |
| with nut | | 1000-U639 | 1000-U641 | 1000-U643 |
| with earthnut | | 1000-U640 | 1000-U642 | 1000-U644 |

| Wing knob | | Handle, housing, nut and screw AISI 316, with seal | | |
|--------------------|----------------------|--|--------------|-----------------|
| IP 65 | | non locking | keyed EK 333 | keyed different |
| GH 18 mm | Ts 1,5 - 8 mm | | | |
| with nut | | 1000-U665 | 1000-U150-PH | 1000-U151-PH |

| Wing knob | | Handle polyamide black, housing zinc die black p.c., earthnut and screw m.s. zinc plated, with seal, cylinder zinc die with stainless steel cap and shutter | | | Handle, housing, Cylinder and nut polyamide black (IP 40) | |
|--------------------|--------------------------|---|--------------|-----------------|---|-----------------|
| IP 65 | | non locking | keyed EK 333 | keyed different | keyed EK 333 | keyed different |
| GH 18 mm | Ts 1.5 up to 8 mm | | | | | |
| with nut | | 1000-U343 | 1000-U345 | 1000-U347 | 1000-U754 | 1000-U753 |
| with earthnut | | 1000-U344 | 1000-U346 | 1000-U348 | - | - |
| 30 mm | 20 mm | | | | | |
| with nut | | 1000-U512 | 1000-U514 | 1000-U516 | - | - |
| with earthnut | | 1000-U513 | 1000-U515 | 1000-U517 | - | - |
| 40 mm | 30 mm | | | | | |
| with nut | | 1000-U518 | 1000-U520 | 1000-U522 | - | - |
| with earthnut | | 1000-U519 | 1000-U521 | 1000-U523 | - | - |
| 50 mm | 40 mm | | | | | |
| with nut | | 1000-U524 | 1000-U526 | 1000-U528 | - | - |
| with earthnut | | 1000-U525 | 1000-U527 | 1000-U529 | - | - |
| 60 mm | 50 mm | | | | | |
| with nut | | 1000-U645 | 1000-U647 | 1000-U649 | - | - |
| with earthnut | | 1000-U646 | 1000-U648 | 1000-U650 | - | - |



Further parts see page
 – cam with catch up to 1C-120
 – Accessories from 1C-180
 – Escutcheon 3B-140
 – Spare key 12B-140