



# APEM

## 1000 series

Compact switch joysticks



The 1000 Series is a versatile range of low cost switch joysticks and is ideal for light to medium duty environments where proportional control is not a necessity. Configurable with either single or double pole switching, the 1000 Series can also be specified as screw or bush mounted.

There are two construction options, based on the use of either V3 or V4 switches. V4 switches may be specified with 6A or 10A operation, yielding a smaller joystick than the construction employed for V3 switches which yields up to 16A operation.



### KEY FEATURES

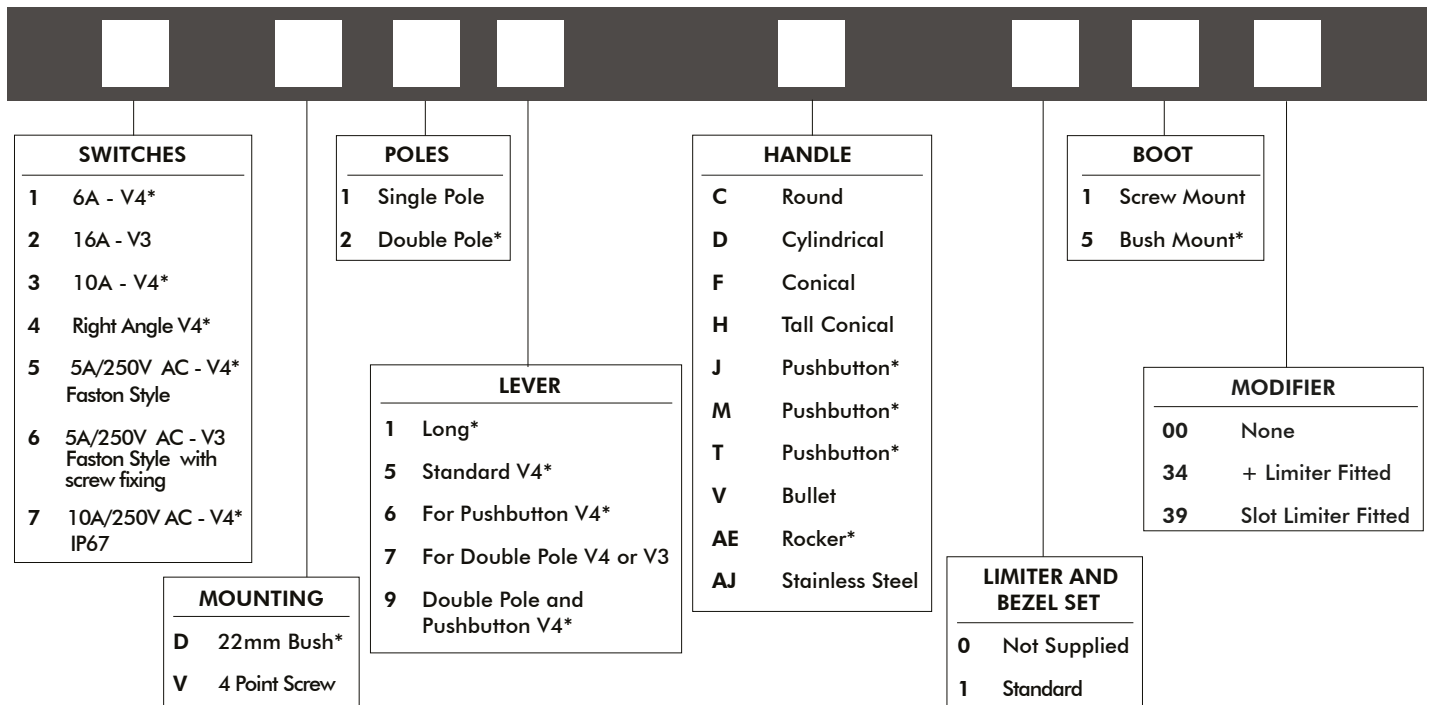
- Compact size
- Robust construction
- Single or dual axes
- Single or double pole
- Gold contacts
- Bushing or screw mount
- V4 switches
- V3 switches
- Alternative handle selection including pushbutton handles



# 1000 series

## Compact switch joysticks

### OPTION SELECTION



\* Unavailable with V3 construction.

### SPECIFICATIONS

#### MECHANICAL

Mechanical Life	-	>5 Million Operations
Lever Travel	-	24° (12° from center)
Lever Material	-	Stainless Steel or Brass
Mass/weight	-	40g
Body Material	-	Mineral Filled Nylon-6
Handle Material	-	See Handles Page
Boot Material	-	Neoprene
Mounting - Screw	-	4 x M2.5 Stainless (Slotted)
Mounting - Bush	-	Single Point 22mm Diameter

#### ELECTRICAL

Number of Switches	-	2, 4, or 8
Nominal Current	-	6A, 10A, or 16A
Maximum Voltage	-	250V AC
Contacts #1 6A - V4	-	Gold
Contacts #2 16A - V3	-	Silver
Contacts #3 10A - V4	-	Silver
Contacts #4 Right Angle	-	Silver
Contacts #5 Faston Style - V4	-	Silver
Contacts #6 Faston Style - V3	-	Silver
Contacts #7	-	Silver
Switch Contacts	-	Changeover
Contact Life	-	Load Dependent
Pushbutton Cable	-	Blue

#### ENVIRONMENTAL

Temperature Range	-	-20°C to 50°C <sup>3</sup>
Above Panel Seal (IP)	-	To IP67 <sup>1</sup>

#### NOTES

- All values are nominal
- 1. Excludes some handle options.
- 2. Exact specifications may be subject to configuration. Contact Technical Support for the performance of your specific configuration.
- 3. Temperature specification may be subject to the chosen switch option. Please refer to factory.

Note: The company reserves the right to change specifications without notice.

# 1000 series

## Compact switch joysticks

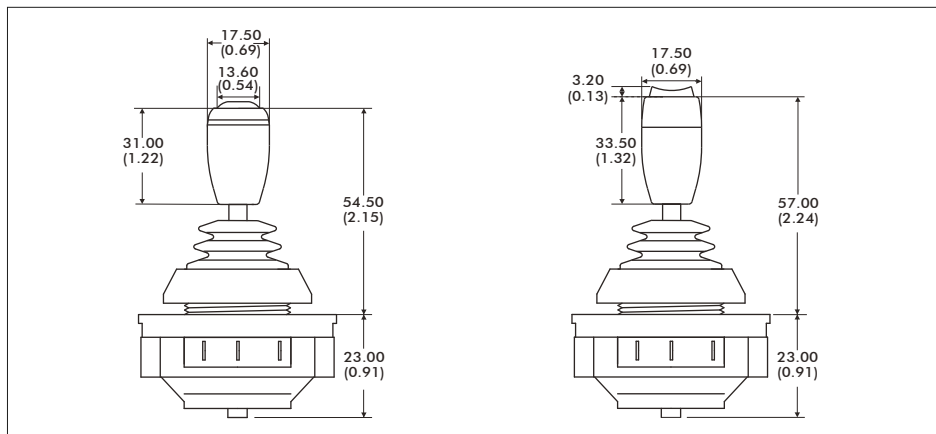
### DIMENSIONAL DRAWINGS - HANDLES

<b>MATERIAL</b>	Phenolic	Aluminum	Nylon	Stainless Steel
<b>FINISH</b>	Gloss	Anodized	Matt	Natural
<b>STANDARD COLOR</b>	Black	Black	Black	Stainless Steel
<b>OTHER COLORS</b>	Not Available	Not Available	Upon Request	Not Available
<b>NOTES:</b>	Supplied Loose			

<b>MATERIAL</b>	ABS	Aluminum	Stainless Steel	ABS	Aluminum	Stainless Steel
<b>FINISH</b>	Matt	Anodized	Polished	Gloss	Anodized	Polished
<b>STANDARD COLOR</b>	Black	Black	Stainless	Black	Black	Stainless Steel
<b>OTHER COLORS</b>	Upon Request	Not Available	Not Available	Upon Request	Not Available	Not Available
<b>NOTES:</b>	Uses APEM IS Switch	Uses APEM IS Switch	Uses APEM IS Switch	Uses APEM IS Switch	Uses APEM TR Switch	

**NOTES:**

1. Dimensions are in mm/(inch)
2. Pushbutton (J, M, T) and rocker switches (AE) are for bushmount configurations only. Dimensions are shown below.
3. Handle is supplied loose because it is larger than panel cutout. The handle should be press fitted to the joystick, once the joystick is installed in the panel



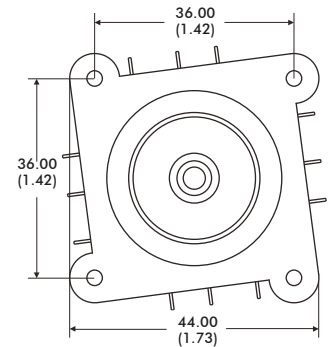
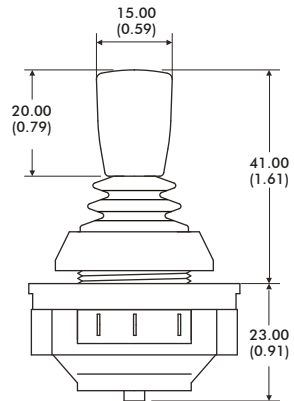
Note: The company reserves the right to change specifications without notice.

# 1000 series

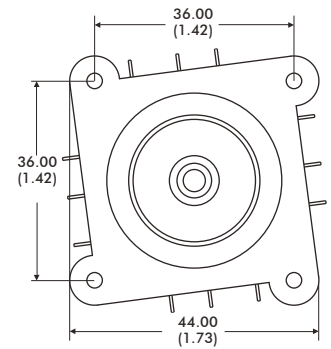
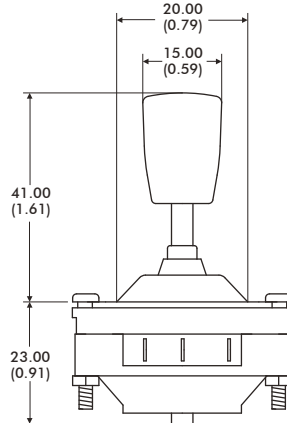
## Compact switch joysticks

### DIMENSIONAL DRAWINGS - continued

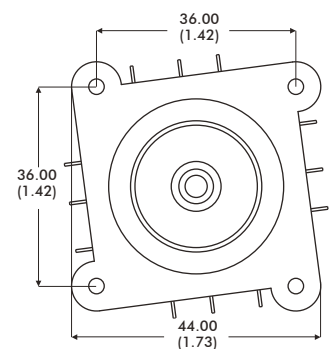
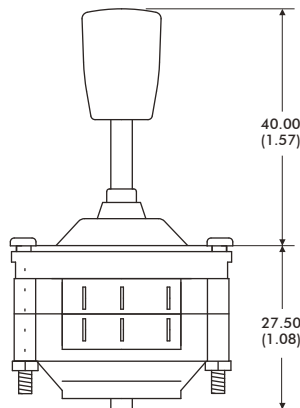
**V4 BUSH MOUNT**



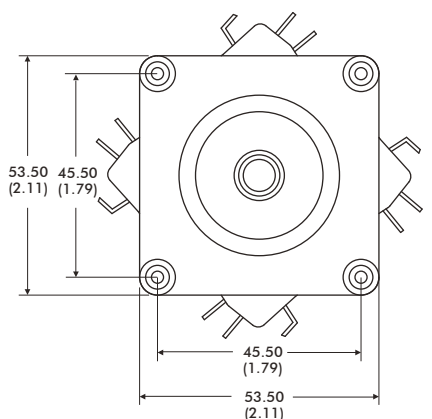
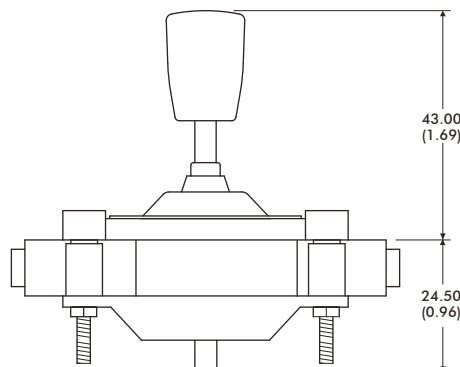
**V4 SCREW MOUNT**



**V4 SCREW MOUNT DOUBLE POLE**



**V3 SCREW MOUNT**



Note: The company reserves the right to change specifications without notice.

# 1000 series

## Compact switch joysticks

### DIMENSIONAL DRAWINGS - continued

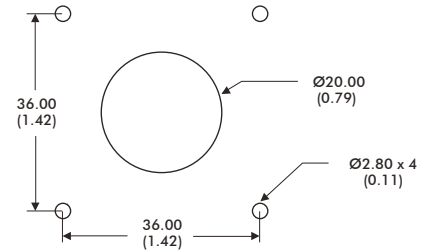
#### MOUNTING CUTOUT DIMENSIONS AND INSTALLATION



**V4 SCREW MOUNT**

**NOTE:**

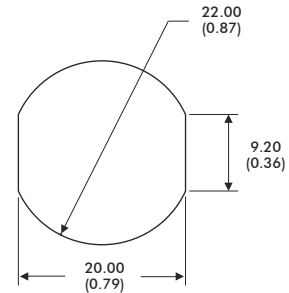
The joystick is mounted from beneath the panel using the 4 x M2.5 machine screws, supplied with the joystick. Supplied as standard with the joystick is a round bezel which may be fitted (according to customer preference) to finish the front face of the panel. Fitting the bezel is optional, and is not necessary if the panel cut-out finishes the panel. If fitting the bezel is selected then the panel cut out should be toleranced such that the bezel is an interference fit. Additionally bonding the bezel is recommended.



**V4 BUSH MOUNT**

**NOTE:**

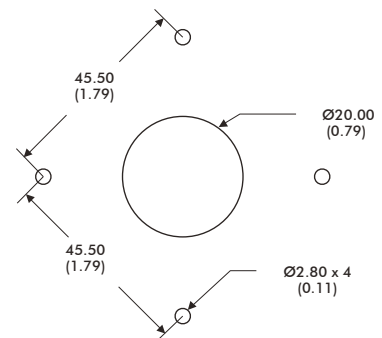
The joystick is mounted from beneath the panel. Supplied as standard with all bush mount joysticks is an adhesive P.V.C. sealing gasket. This should be fitted between the joystick and the panel, in applications where a good seal is needed.



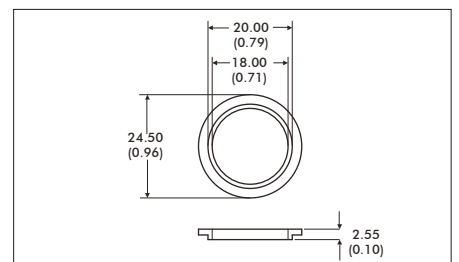
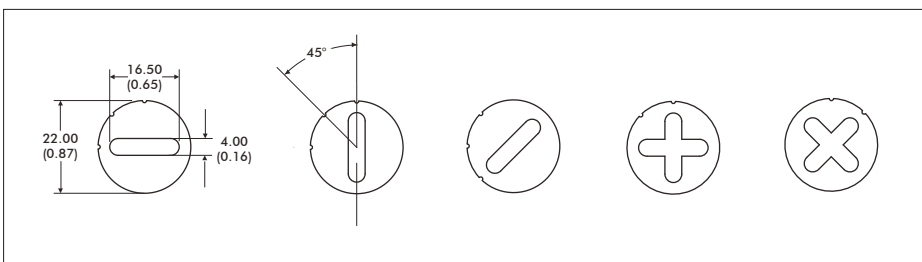
**V3 SCREW MOUNT**

**NOTE:**

The joystick is mounted from beneath the panel using the 4 x M2.5 machine screws, supplied with the joystick. Supplied as standard with the joystick is a round bezel which may be fitted (according to customer preference) to finish the front face of the panel. Fitting the bezel is optional, and is not necessary if the panel cut-out finishes the panel. If fitting the bezel is selected then the panel cut out should be toleranced such that the bezel is an interference fit. Additionally bonding the bezel is recommended.



#### LIMITERS AND BEZEL SET



**NOTES:**

1. Dimensions are in mm/(inch)

# 1000 series

## Compact switch joysticks

### CONFIGURATION OPTIONS

#### SWITCHES

Seven switch options are specified as standard. All are configured with change-over contacts, allowing the user flexibility of connection.

Option 1 - V4 - 6A/240V AC should be specified where the joystick will be switching smaller current levels. These switches are supplied with gold flash terminals to ensure reliable switching at very low current levels.

Option 2 - V3 - 16A/240V AC should be specified where the joystick will be switching up to 16A.

Option 3 - V4 - 10A/240V AC should be specified where the joystick may be switching up to 10A.

Option 4 - V4 - 5A/250V AC with right angle terminals, should be specified for PCB mounting or simpler termination.

Option 5 - V5 - 5A/250V AC with 2.8mm Faston style terminals.

Option 6 - V3 - 16A/250V AC with long terminals and screw fixing

Option 7 - V4 - 10A/250V AC sealed to IP67

Note: The construction of the joystick employing V3 switches is not available with as many configuration options.

Life and reliability of the switches is heavily determined by the type of application and parameters such as load. Contact the factory for further advice about the expected switch performance under differing loads or DC supplies.

#### MECHANICAL OPERATION

All 1000 Series are supplied with an open square gate. As a standard option the joystick may be supplied with an additional plastic limiter set, that allows the customer to retro-fit limiters to reduce the travel to single axis(-), cross (+) or diagonal (X) operation. For harsh environments metal limiters are also available.

Joysticks are supplied as standard without a cable harness, allowing the user flexibility of connection. Alternatively the joystick may be factory configured with fitted limiters or cable harnesses, upon customer request.

#### SEALING

Two boot options are offered as standard to provide an above-panel seal. When specifying a bush mount joystick select boot option 5 which yields an IP65 seal. Alternatively boot option 1 should be selected for 4 point screw mount joysticks which yields an IP67 seal. As standard, an adhesive P.V.C sealing gasket is supplied with all bush mount joysticks, to ensure a good seal between the joystick body and the panel. The sealing standards quoted are panel seals. It is assumed that the below panel area will be sealed. For applications where below panel seal can not be assured, switch option 7 should be selected.

#### DOUBLE POLE OPERATION

The construction of the joystick is designed such that both switches nominally trigger simultaneously. Such simultaneous triggering is subject to a +/-2 degree tolerance (between switches) owing to the mechanical tolerances and hysteresis of each switch.

#### MOUNTING

The 1000 Series is available in two mounting options, four point screw mount or bush mount. The V4 screw mount option is supplied with M2.5 x 20mm screws, whereas the larger construction of V3 screw mount joystick is supplied with M2.5 x 25mm screws. All screws supplied are slotted, pan head machine screws, although longer pan head screws, or countersunk heads are also available upon request.

#### LEVERS

Lever option 5 provides for a low profile above the panel (41mm/1.61inch), this option is very popular for those applications requiring a compact, stubby design. Lever option 1 is an additional 5mm/0.20inch taller. Lever option 6 should be specified for a push button handle, and lever option 7 is designed for V4 double-pole, or V3 constructions. Lever Option 9 is for double-pole and pushbutton joysticks. Additional custom levers are available upon request.