

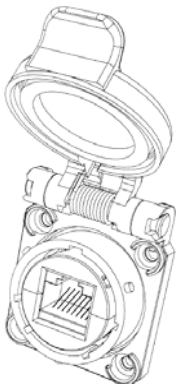
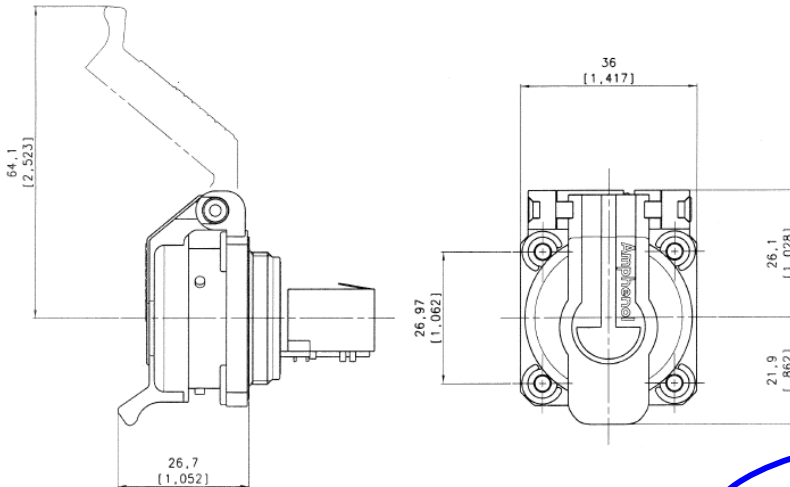
# Self Closing Cap

## For RJ Field, USB and IEEE1394 receptacles

### Description

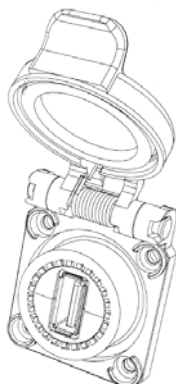
This Self Closing Cap allows to protect automatically the RJ Field square flange receptacles (MIL-C-26482 type), protecting your system from dust and water projections. The same automatic cap can be used to protect USB and IEEE1394 receptacles.

A spring automatically closes the upper part of the cap when either the RJ Field plug, either the RJ45 cordset, either the USB or IEEE1394 cordset, either the USB key are removed from the receptacle.



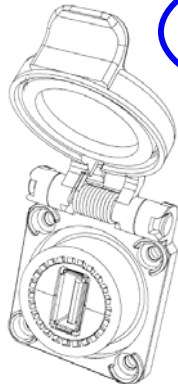
**Version : RJ45**  
**RJF 21N SCC**

Nickel and metallized inserts (EMI)



**Version : USB**  
**USBF 21N SCC**

Nickel and metallized inserts (EMI)



**Version : IEEE1394**  
**FWF 21N SCC**

Nickel and metallized inserts (EMI)

**RJF 21B SCC**

Black and blank insert

**USBF 21B SCC**

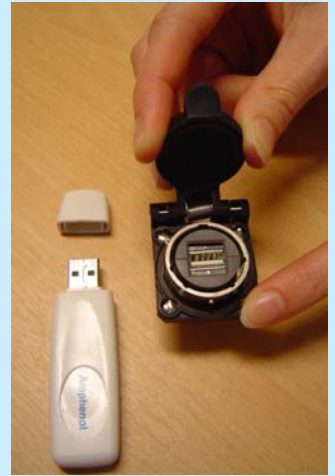
Black and blank insert

**FWF 21B SCC**

Black and blank insert

**Note :** Pannel gasket for square flange receptacles: **JE18**

Amphenol Pcd – 2 Technology Drive – Peabody – Massachusetts – 01960 USA  
Tel. : + 1 978-532-8800 x273 Fax : + 1 978-532-680  
<http://www.rjfield.com> -- <http://www.usbfield.com> -- <http://www.fwfield.com>



**Self Closing Cap  
for RJ Field, USB  
and IEEE 1394**



**Electronica 2004 :**  
**RJField awarded « Component  
Product of the Year »**

### Applications

- Robots control cabinets
- Data transfert
- Numerical Machine

**Amphenol®**

DOC000053 --ANG-C Nov. 04