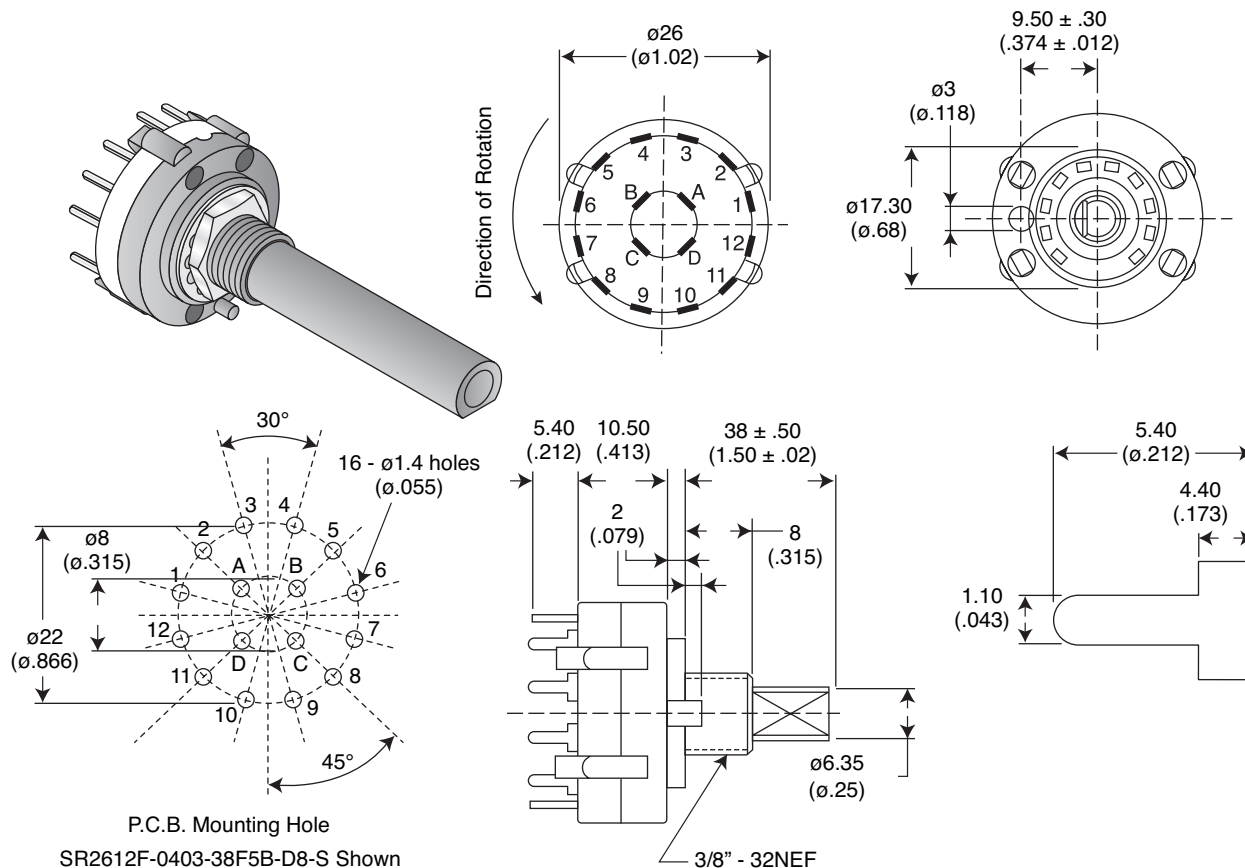




Rotary Switches

- SR2612F-0112-38F5B-D8-S
- SR2612F-0206-38F5B-D8-S
- SR2612F-0304-38F5B-D8-S
- SR2612F-0403-38F5B-D8-S

Dimensions: mm (In.)



Mechanical Specifications:

- Rotation Torque: $.50 \pm .20$ kg-cm
- Timing: Shorting

Electrical Specifications:

- Rating: 0.3A/125VAC
- Contact Resistance: 50mΩ Max.
- Insulation Resistance: 500VDC -100MΩ Min.
- Dielectric Strength: 500VAC -1 Minute

Alpha Part No.	Poles	Position
SR2612F-0112-38F5B-D8-S	1	12
SR2612F-0206-38F5B-D8-S	2	6
SR2612F-0304-38F5B-D8-S	3	4
SR2612F-0403-38F5B-D8-S	4	3

Materials:

- 3/8" hexagon nut one piece
- Lockwasher one piece

Note:

- RoHS Compliant