

# 2132i 2116i

## MODELS

### Ideal for

- temperature indication
- 4-20mA process inputs
- over-temperature protection
- process value trip unit

### Specifications

#### Dimensions:

Model 2132i:

48W x 24H x 103D mm  
panel cut-out 45 x 22.2mm

Model 2116i:

48W x 48H x 103D mm  
panel cut-out 45 x 45mm

#### Display:

Green 4 digit 10mm LED

#### Supply voltages:

85-264Vac

20-29Vac or dc, 15watts  
max.

#### Operating ambient:

0-55°C, 5-95%RH non-  
condensing

#### Inputs:

Nine standard  
thermocouple types.  
Pt100. Linear mV/mA

#### Sample rate:

5Hz

#### Relay output rating:

2A, 264Vac resistive

#### Panel sealing:

IP65, plug-in from front  
panel



## Compact Indicator and Alarm Units

Available in compact 1/32 and 1/16 DIN panel sizes, the 2132i and 2116i provide accurate measurement and display of temperature and other process variables. A universal input allows selection of nine internally stored thermocouple types. Other input linearisations may be factory downloaded. Linear 4-20mA inputs can be scaled to the desired display range. Keylock and passwords prevent unauthorised access to configuration and alarm settings.

A bright, clear LED display gives good visibility in low and high ambient lighting.

Three internal setpoints are provided. They operate up to two alarm outputs which can be configured as latching or non-latching. A special mode known as 'alarm blocking' is available. In this mode, after power on, the process value must first enter a good state before the alarm becomes active. This is particularly useful for low alarms which can be 'blocked' while the process is warming-up.

Operation is user friendly with tactile buttons.

Calibration accuracy is maintained with a self-correcting input circuit. User calibration allows offsets to be applied to compensate for sensor and other system errors.

### Features

**Universal input** - covers a wide range of temperature and process inputs

**Three alarm setpoints** - separate warning and shut-down limits

**One or two alarm outputs** - alarm alert and shut-down outputs

**Front panel configuration** - easy, on-site set-up

**Wide-range 85-264Vac, or 20-29Vac/dc supply** - can be installed world-wide

**Plug-in from front** - rapid replacement, reducing downtime

**IP65 panel sealing** - can be used in wet and dusty atmospheres

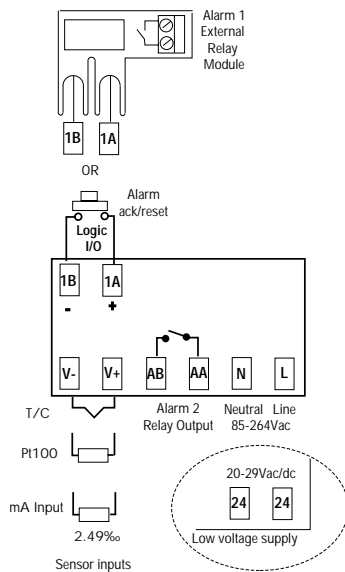


**EUROTHERM**

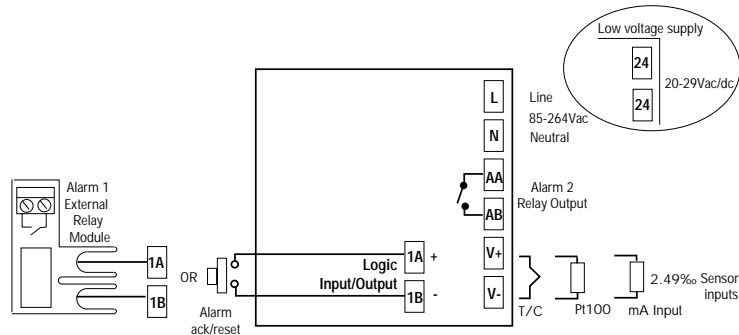
CONTROLS  
PROCESS AUTOMATION  
RECORDERS

# Rear terminal connections

## Model 2132i



## Model 2116i



## Ordering codes

Model Number	Function	Supply Voltage	Manual	Logic Input/Output	Alarm 2 Relay	Sensor Input	Setpoint Min	Setpoint Max	Units	Ext. Relay Module	Input Adaptor
	note 1						note 2	note 2			

Model Number	Logic Input/Output	Sensor Input	Setpoint Min	Setpoint Max	Units
2132i 48x24mm unit 2116i 48x48mm unit	XX Disabled (note 1) <b>Logic input</b> AC Alarm ack/reset KL Keylock <b>Non-latched alarm</b> FH High alarm 1 FL Low alarm 1 <b>Latched alarm</b> HA High alarm 1 LA Low alarm 1 NW New alarm	<b>Standard Sensor Inputs</b> J J Thermocouple K K Thermocouple T T Thermocouple L L Thermocouple N N Thermocouple-Nicrosil/Nisil R R Thermocouple-Pt/Pt13%Rh S S Thermocouple-Pt /Pt10%Rh B B Thermocouple-Pt/Pt30%Rh -6%Rh P Platinel II Thermocouple Z RTD/Pt100 DIN 43760 <b>Factory Downloaded Input</b> C C Thermocouple - W5%Re/W26%Re (Hoskins) D D Thermocouple - W3%Re/W25%Re E E Thermocouple 1 Ni/Ni18%Mo Thermocouple 2 Pt20%Rh/Pt40%Rh Thermocouple 3 W/W26%Re (Engelhard) Thermocouple 4 W/W26%Re (Hoskins) Thermocouple 5 W5%Re/W26%Re (Engelhard) Thermocouple 6 W5%Re/W26%Re (Bucose) Thermocouple 7 Pt10%Rh/Pt40%Rh Thermocouple 8 Exergen K80 I.R. pyrometer <b>Process Inputs</b> (Scaled to setpoint min and max) M -9.99 to +80mV linear Y 0 to 20mA linear (note 3) A 4 to 20mA linear (note 3) V 0 to 10Vdc linear (Input Adaptor required)	Min °C Max -210 1200 -200 1372 -200 400 -200 900 -200 1300 -50 1768 -50 1768 0 1820 0 1369 -200 850 Min °C Max 0 2319 0 2399 -200 1000 0 1399 0 1870 0 2000 0 2010 10 2300 0 2000 200 1800 -45 650 Min °C Max -1999 9999 -1999 9999 -1999 9999 -1999 9999	C Celsius F Fahrenheit K Kelvin X Linear input	
<b>Function</b> ND Indicator only (Logic I/O and Alarm relay will not be fitted) AL Indicating alarm unit (Logic I/O and alarm output fitted)	<b>Alarm 2 Relay Output</b> XX Disabled (note 1) <b>Non-latched alarm</b> FH High alarm 2 FL Low alarm 2 AL High alarm 2 & low alarm 3 <b>Latched alarm</b> HA High alarm 2 LA Low alarm 2 AA High alarm 2 & low alarm 3 NW New alarm				<b>Ext. Relay Module</b> XX Not fitted R7 Fitted (Operated by the logic output)
<b>Supply Voltage</b> VH 85-264Vac VL 20-29V dc or ac					<b>Input Adaptor</b> XX Not fitted V1 0-10Vdc A1 0-20mA current sense resistor (2.49% 0.1%)
<b>Manual</b> XXX No manual ENG English FRA French GER German NED Dutch SPA Spanish SWE Swedish ITA Italian					

Note 1. If 'ND' (Indicator only) is specified in the function field then 'XX' must be entered in the Logic Input output field and the Alarm 2 Relay field.

Note 2. Setpoint min and max: Include the decimal position required in the display value; up to one for temperature inputs, up to two for process inputs.

Note 3. An external 1% current sense resistor is supplied as standard. If greater accuracy is required specify 'A1' in the Input Adaptor field.

### Example ordering code

2132i - AL - VH - ENG - AC - HA - K - 0 - 1000 - C - XX

2132i, Indicating alarm unit, 85 to 264Vac, English manual, Remote Acknowledge, Latched High Alarm Relay Output, Type K thermocouple, 0 to 1000°C, no options

**UK SALES OFFICE**  
Eurotherm Ltd  
Faraday Close Durrington Worthing BN13 3PL United Kingdom  
Sales and support: Tel. +44 (0)1903 695888 Fax +44 (0)1903 695666  
Sales and support in over 30 countries worldwide  
Enquiries/orders to:  
Eurotherm Ltd Faraday Close Durrington  
Worthing BN13 3PL United Kingdom  
Tel. +44 (0)1903 268500 Fax +44 (0)1903 265982

**EUROTHERM LIMITED**  
<http://www.eurotherm.co.uk>  
Part No. HA027219 Iss. 1  
© Copyright Eurotherm Limited 2000

