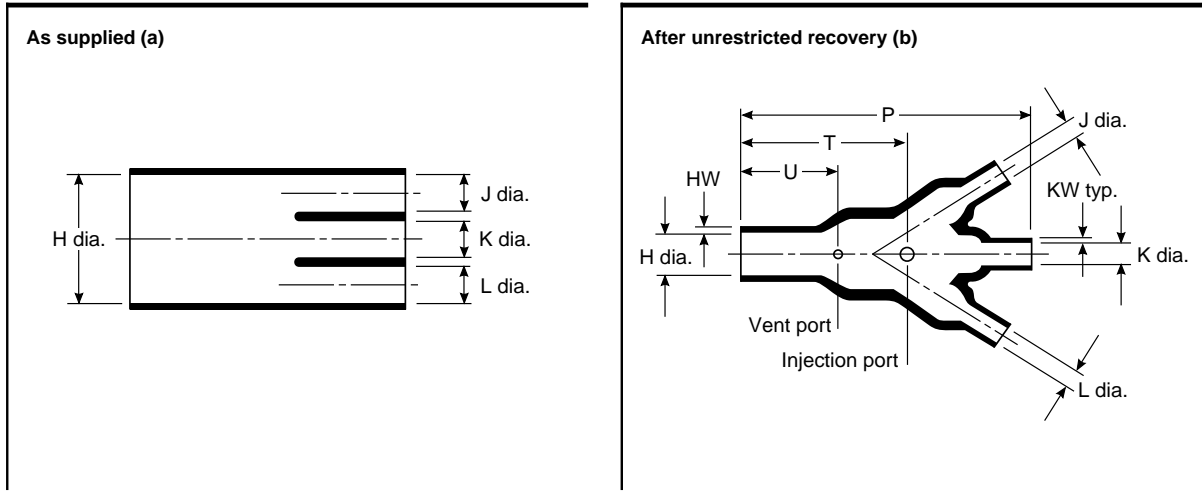


Transition, one to three cables



Applications

Provides strain relief and mechanical protection on cable harness assemblies.

Materials Available

Material	Material description	Precoating no.	Adhesive part no.
-3	Semirigid polyolefin	/42 or /86 or /180	S-1017 or S-1048 or S-1030
-4	Flexible polyolefin	/42 or /86 or /180	S-1017 or S-1048 or S-1030
-5	Neoprene		
-6	Flame-retardant silicone		
-12	VITON®		
-25	Fluid-resistant elastomer	/42 or /86	S-1017 or S-1048

Product Dimensions (inches (millimeters))

Part number	H		J, K&L		P
	Min. a	Max. b	Min. a	Max. b	±10% b
462A011	.52 (13.2)	.26 (6.6)	.26 (6.6)	.14 (3.6)	1.82 (46.2)
462A023	1.06 (26.9)	.52 (13.2)	.52 (13.2)	.27 (6.9)	3.67 (93.2)
462A034	1.52 (38.6)	.74 (18.8)	.76 (19.3)	.38 (9.7)	5.32 (135.1)
462A046	2.19 (55.6)	1.00 (25.4)	1.06 (26.9)	.49 (12.4)	7.56 (192.0)
462A060	3.60 (91.4)	2.15 (54.6)	1.80 (45.7)	1.08 (27.4)	15.37 (390.4)

	T	U	HW	KW
	±10% b	±10% b	±20% b	±10% b
426A011	1.20 (30.5)	.62 (15.7)	.06 (1.52)	.04 (1.02)
462A023	2.25 (57.2)	1.30 (33.0)	.10 (2.54)	.06 (1.52)
462A034	3.50 (88.9)	1.80 (45.7)	.12 (3.05)	.07 (1.78)
462A046	4.80 (121.9)	2.80 (71.1)	.18 (4.57)	.12 (3.05)
462A060	10.00 (254.0)	5.00 (127.0)	.28 (7.11)	.18 (4.57)

Thermofit is a registered trademark of Raychem Corporation.
 VITON is a registered trademark of E. I. du Pont de Nemours & Co., Inc.