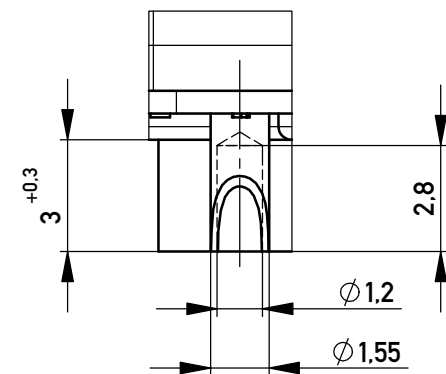
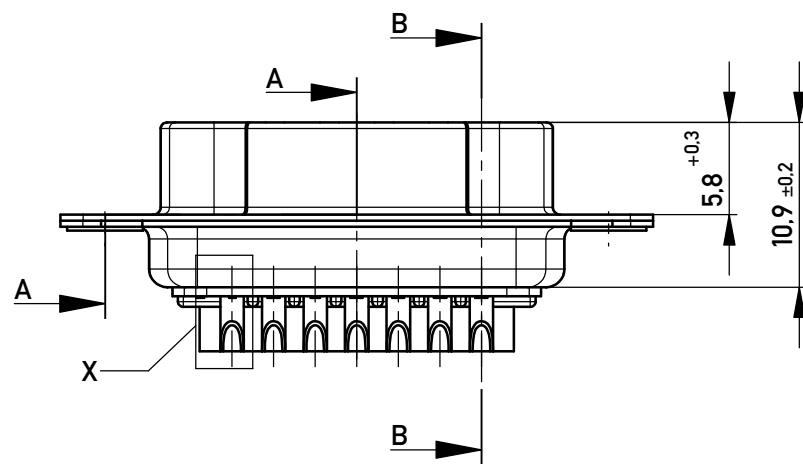
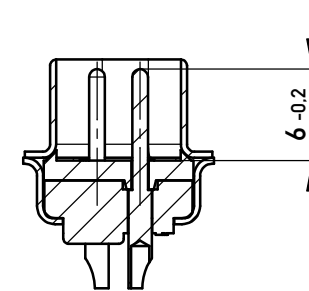
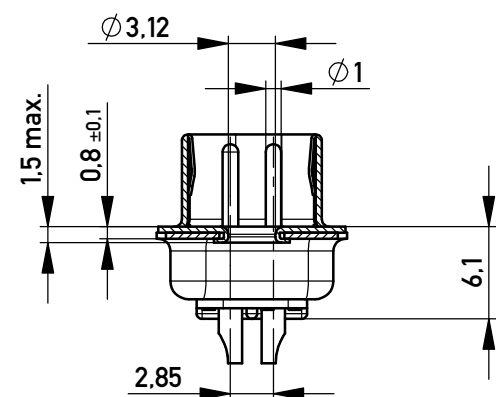


DETAIL X
scale 5:1

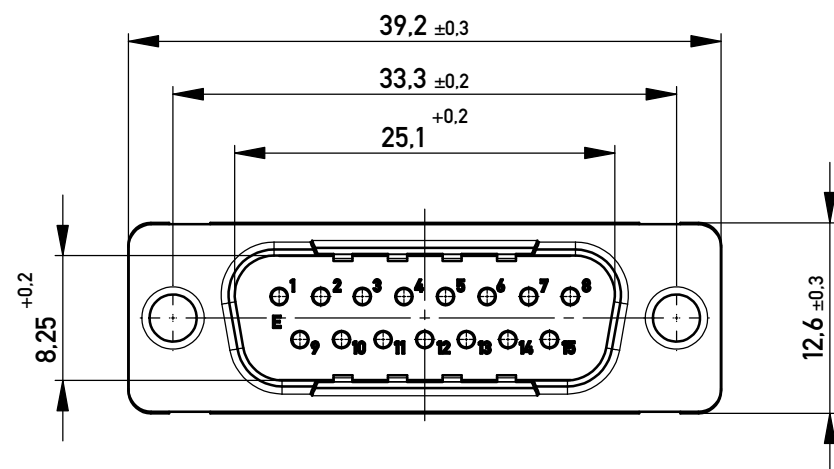
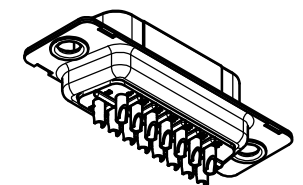


Schnitt A-A
cross section A-A

Schnitt B-B
cross section B-B



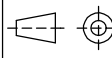
M 1.1
scale 1:1



Anschlussbereich vergoldet
terminal area gold plating

Anforderungsstufe: 2
class: 2

Fehlende Masse und Angaben siehe DIN 41652 / Missing information and dimensions according to DIN 41652
Sonstige Angaben siehe Fertigungsunterlagen / Additional indications according to production documentation

Information:		Tolerances		Scale	2:1
All rights reserved. Only for Information. To ensure that this is the latest version of this drawing, please contact one of the ERNI companies before using.		All Dimensions in mm		Designation	
Subject to modification without prior notice. Drawing will not be updated.		www.ERNI.com		TMC-P-15-L BA 1 TMC-P-15-L BA 1	
b	07.03.2017	ERNI		023128	
Index	Date			I A3	
				Class	TMCP

Copyright by ERNI GmbH
Proprietary notice pursuant to ISO 16016 to be observed.