

Motor Flanges

LinMot PF motor flanges enable easy mounting of linear motors. The clamping plate design enables quick assembly and disassembly of the linear motors without disassembling the flange.

A matching flange of the correct length is available for every family of linear motors. This not only ensures secure mechanical mounting, but also guarantees optimal cooling of the linear motor.



Motor with flange and fan

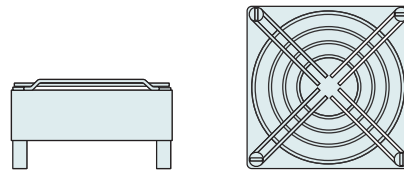
STATOR AND FLANGE MOUNTING

The same flange is used for stators with a cable output or a plug housing. The stator is secured in the flanges by means of clamping screws, so that the stator is clamped over a large surface area.

Clamping over a large surface area, practically the entire length of the stator, and the cooling fins on the flange, ensure optimal cooling of the linear motor.

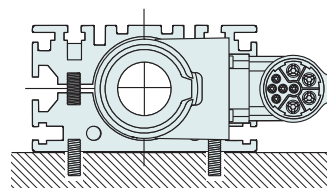
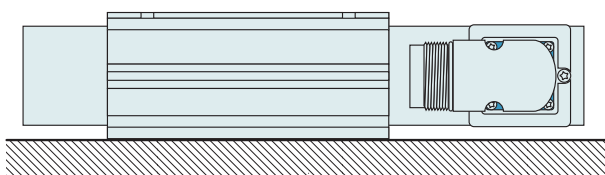
Depending on the application and available space, the flanges can be installed horizontally with screws or vertically by means of the T-slots provided.

FAN OPTION

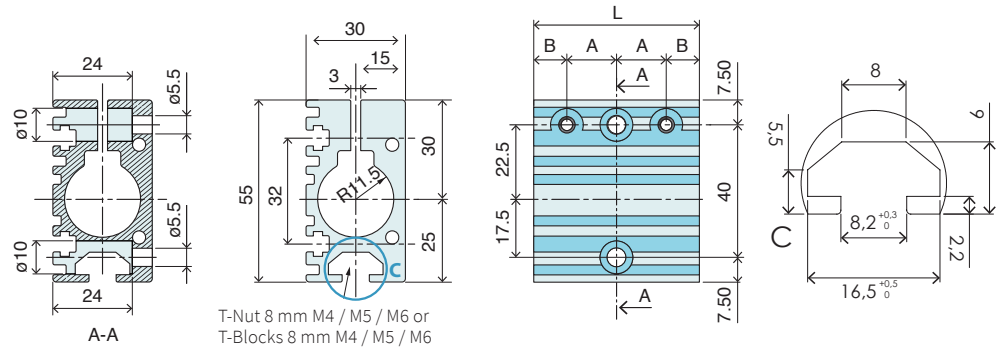


The optional fan can nearly double the effective force of the linear motor.

MOUNTING WITH SCREWHOLES



PF02-23

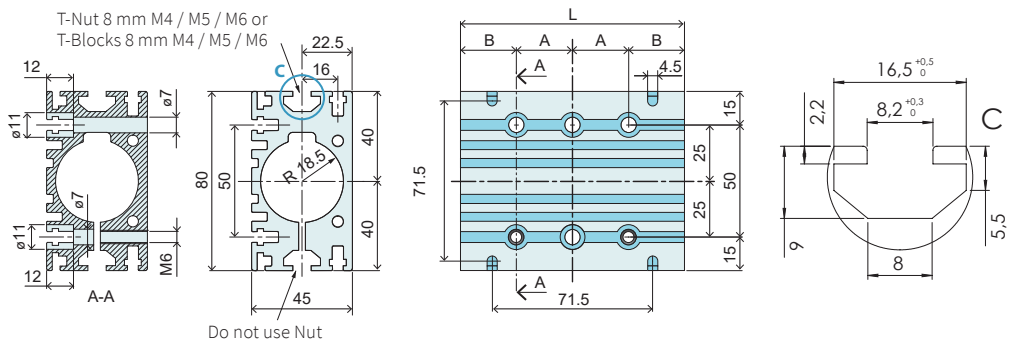


Max. torque for clamp plate screws: 4Nm

T-Nut 8 mm M4 / M5 / M6 or
T-Blocks 8 mm M4 / M5 / M6

Item	Stator type	Fan-Assembly Number Standard / Max	L [mm]	A [mm]	B [mm]	Weight [g]	Item-No.
PF02-23x50	P01-23x80	1 / 1	50	15	10	115	0150-2102
PF02-23x120	P01-23x160	1 / 2	120	30	30	280	0150-2103
PF02-23x170	P01-23x160	1 / 2	170	45	40	390	0150-2117
PF02-23 Flange profile per m	P01-23x...	(-)	(-)	(-)	(-)	(-)	0150-2101

PF02-37

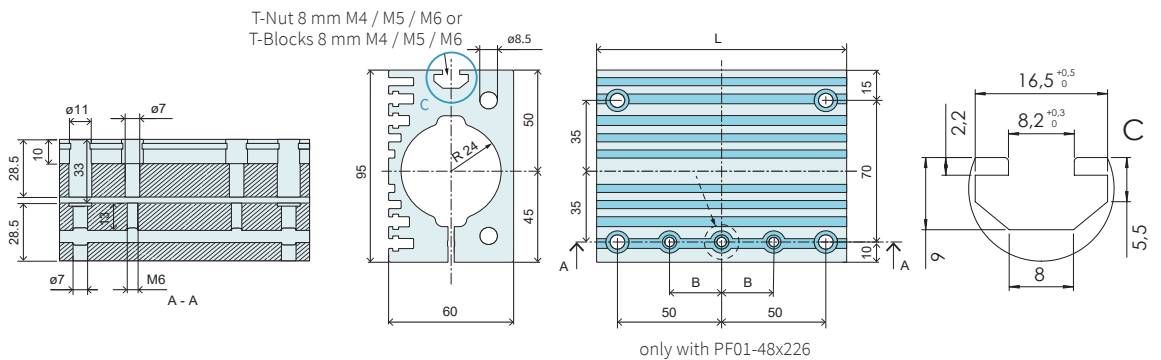


Max. torque for clamp plate screws: 8Nm

Do not use Nut

Item	Stator type	Fan-Assembly Number Standard / Max	L [mm]	A [mm]	B [mm]	Weight [g]	Item-No.
PF02-37x100	P01-37x120	1 / 1	100	25	25	450	0150-1998
PF02-37x140	P01-37x120	1 / 1	140	50	20	630	0150-2105
PF02-37x200	P01-37x240	1 / 2	200	50	50	920	0150-1999
PF02-37 Flange profile per m	P01-37x...	(-)	(-)	(-)	(-)	(-)	0150-1997

PF01-48

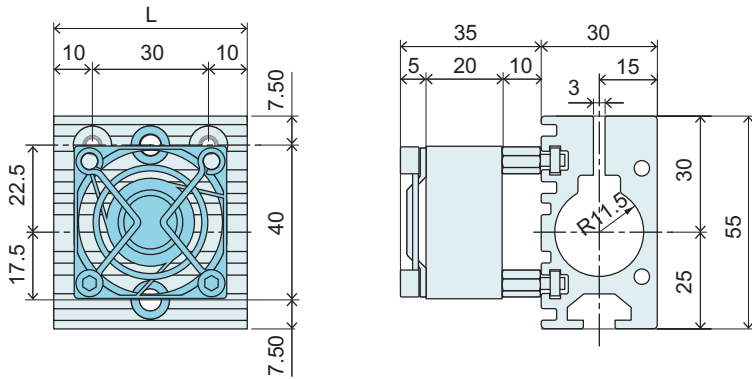


Max. torque for clamp plate screws: 12Nm

only with PF01-48x226

Item	Stator type	Fan-Assembly Number Standard / Max	L [mm]	B [mm]	Weight [g]	Item-No.
PF01-48x120	P01-48x240	1 / 1	120	25	970	0150-1976
PF01-48x226	P01-48x240	1 / 2	226	85	1850	0150-2108
PF01-48 Flange profile per m	P01-48x...	(-)	(-)	(-)	(-)	0150-2104

OPTIONAL FAN FOR PF02-23

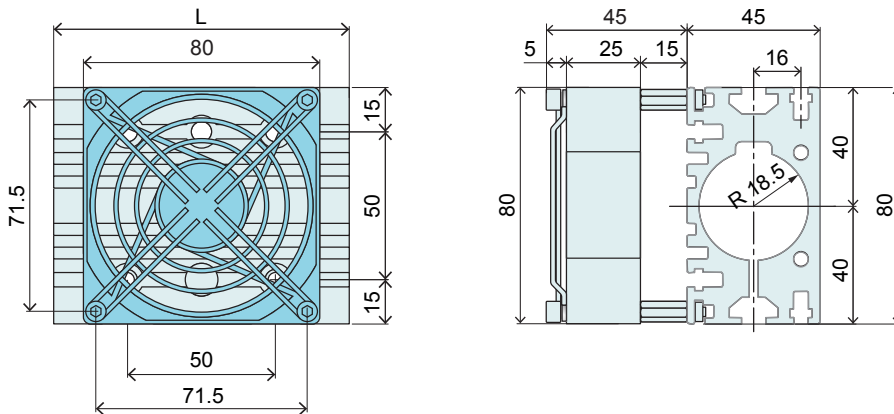


Fan supply:
24VDC, 70mA

Air flow:
15m³/h

Item	Description	Item-No.
HV01-23	Fan kit for H01-23 and PF02-23	0150-5050

OPTIONAL FAN FOR PF02-37

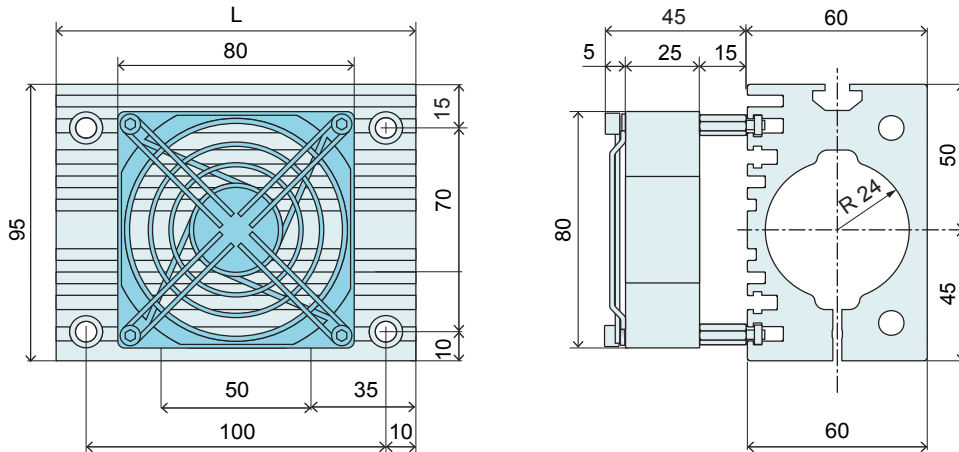


Fan supply:
24VDC, 120mA

Air flow:
80m³/h

Item	Description	Item-No.
HV01-37/48	Fan kit for H01-37, B01-37 and PF02-37	0150-5051

OPTIONAL FAN FOR PF01-48

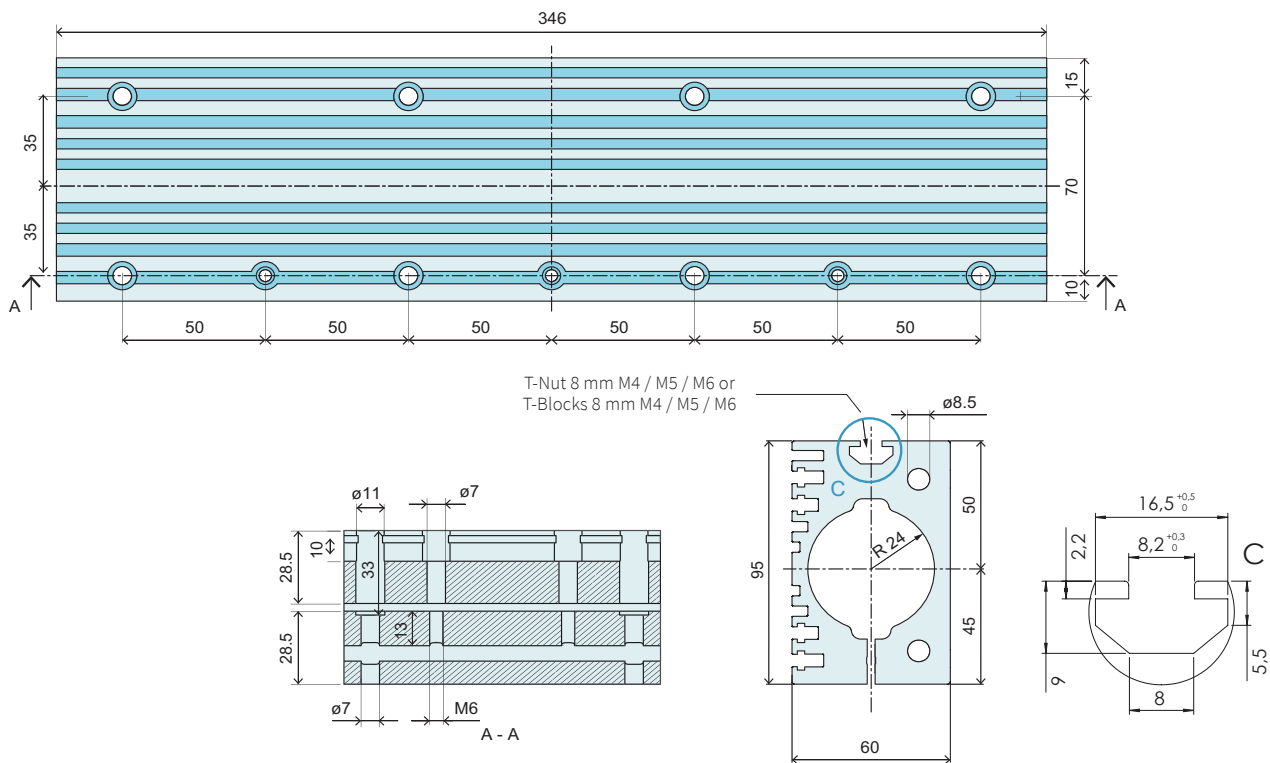


Fan supply:
24VDC, 120mA

Air flow:
80m³/h

Item	Description	Item-No.
HV01-37/48	Fan kit for H01-48, B01-48 and PF01-48	0150-5051

PF01-48



Item	Stator type	Fan-Assembly Number Standard / Max	L [mm]	B [mm]	Weight [g]	Item-No.
PF01-48x346	P01-48x360	2 / 3	346	85	2840	0150-2145