

# MICRO SWITCHES



## SM1 SERIES internal snap-fit lever

### SPECIFICATIONS

#### Contact Resistance (initial)

Max. 300mΩ

Measured by ohm meter - open voltage < 1VDC, driver current -100 mA

#### Insulation Resistance (at 250VDC/minute)

Min. 100MΩ

#### Dielectric Strength

1000VAC (50~60Hz)

#### Operating Temperature Range

SM1-06/10/16/P1 series -40°C to 125°C (with no icing)

SM1-C5/C3/C1 series -40°C to 85°C (with no icing)

#### Vibration

10~55Hz, displacement 0.75 mm (p-p)

#### Electrical Service Life

Min. 10,000 operations

#### Electrical Operating Frequency

10~30 operations per minute

#### Mechanical Service Life

SM1-C5/-06 series(S/L/D force) Min. 10,000,000 operations

SM1-10 series(S force) Min. 1,000,000 operations

All series for H force No define the life

#### Mechanical Operating Frequency

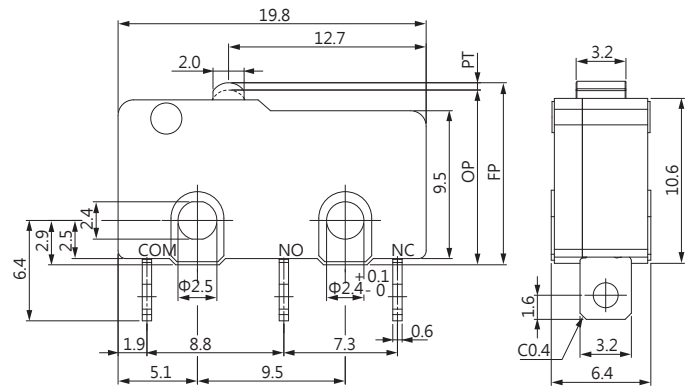
120 operations per minute

### APPLICATIONS

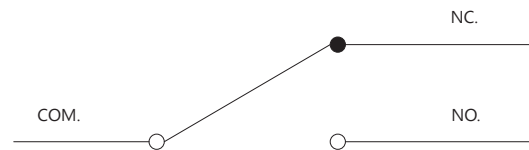
Telephone, Air Conditioner, Computer, Humidifier, Alarm, Time Recorder, Mixer & Chopper, Solder Gun, Neon Phone, Fax Machine, Joystick, Water Pump, Gas Detector, Pencil Sharpener, Money Sorter, Food Processor, Electric Knife, Toy Car, Juice Maker, Electric Steak Pan.

### DIMENSIONS

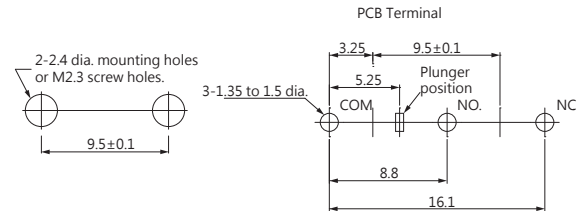
Unless otherwise specified, a tolerance of ±0.4mm applies to all dimensions.



### CONTACT CONFIGURATION



### MOUNTING HOLES



### CERTIFICATE INFORMATION

Model Name	UL, cUL	ENEC14
SM1-P1	0.1A 125/250VAC(Temp:125°C) Min. 10,000 operations	0.1A 125/250VAC,μ40T125 1E4
SM1-06	6A 125/250VAC(Temp:125°C) Min. 10,000 operations	6A 125/250VAC,μ40T125 1E4 6(2)A 125/250VAC,μ40T125 1E4
SM1-10	10.1A 125/250VAC(Temp:125°C) Min. 10,000 operations	10.1A 125/250VAC,μ40T125 1E4 6(2)A 125/250VAC,μ40T125 1E4
SM1-16	16A 125/250VAC(Temp:65°C) Min. 6,000 operations	16.1A 125/250VAC,μ40T125 1E4 6(3)A 125/250VAC,μ40T125 1E4
SM1-C5	5A 125/250VAC(Temp:85°C) Min. 10,000 operations	5A 125/250VAC,μT85 1E4
SM1-C3	3A 125/250VAC(Temp:85°C) Min. 10,000 operations	3A 125/250VAC,μT85 1E4
SM1-C1	0.1A 125/250VAC(Temp:85°C) Min. 10,000 operations	0.1A 125/250VAC,μT85 1E4

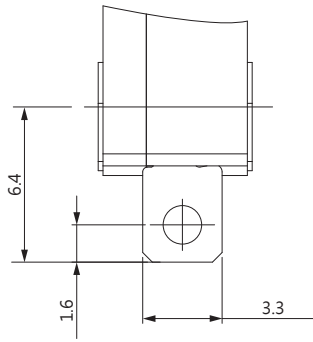
### THE SELECTION OF RATING & FORCE

MODEL	Rating	D	L	S	H
SM1	0.1A	*	*	*	*
	3A	*	*	*	*
	5 A	*	*	*	*
	6 A	*	*	*	*
	10A			*	*
	16A				*

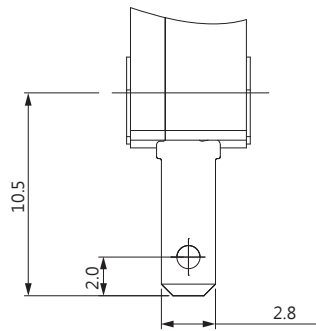
NOTE : The Symbol " \* " to represent the result is accepted

**TERMINAL TYPES** (The thickness of terminal is 0.6)

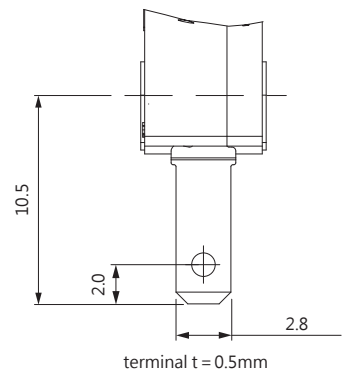
A TYPE



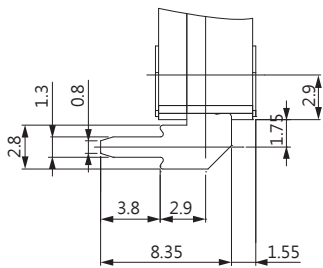
B TYPE



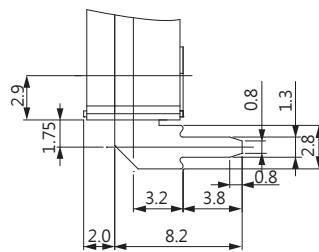
G TYPE



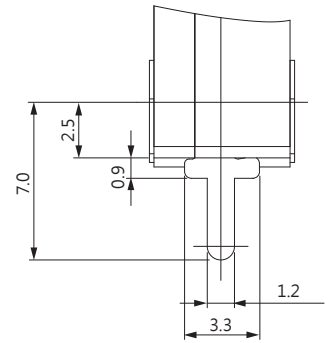
C TYPE



D TYPE



P TYPE



**ORDERING INFORMATION**

S	M	1	0	6	S	0	0	A	0	Z	
SERIES PREFIX	CODE	RATING CURRENT	CODE	OPERATING FORCE	CODE	ACTUATOR TYPE	CODE	TERMINAL TYPE	CODE	CONTACT ARRANGEMENT	ROHS CODE
	P1	0.1A 125/250VAC	S	STANDARD	00		A		0	S.P.D.T	
	06	6A 125/250VAC 6(2)A 125/250VAC	L	LIGHT	01		B		1	S.P.S.T NO	
	10	10.1A 125/250VAC 6(2)A 125/250VAC ONLY S/H FORCE	D	SLIGHT	02		C		2	S.P.S.T NC	
	16	16A 125/250VAC 6(3)A 125/250VAC ONLY H FORCE	H	HEAVIER	03		D				
	C5	5A 125/250VAC			04		P				
	C3	3A 125/250VAC			05		G				
	C1	0.1A 125/250VAC			06						
					07						
					08						
					09						

OPERATING CHARACTERISTICS

SWITCH TYPE	PART SUFFIX	OF Max. (gf)		OP (mm)	PT Max. (mm)	OT Min. (mm)	MD Max. (mm)	FP Max. (mm)	RF Min. (gf)
		H	S						
SM1- □□□ -00 □□ -Z		H	355	11.4±0.3	1.1	0.4	0.2	12.2	100
		S	150						25
		L	95						10
SM1- □□□ -01 □□ -Z		H	118	11.4±1.1	4.63	0.53	1.45	14.6	20
		S	50	11.8±0.8	3.6	0.6	0.8		6
		L	28						1
SM1- □□□ -02 □□ -Z		H	107	11.4±1.3	5.29	0.48	1.67	14.94	17
		S	45	11.8±0.9	4.03	0.67	0.9		5
		L	25						1
SM1- □□□ -03 □□ -Z		H	87	11.0±1.8	7.47	0.18	2.40	15.96	11
		S	34	11.8±1.5	5.35	0.89	1.19		2
		L	20						1
SM1- □□□ -04 □□ -Z		H	111	13.3±1.2	5.02	0.51	1.58	16.66	19
		S	47	13.7±0.9	3.86	0.64	0.86		5
		L	26						1
SM1- □□□ -05 □□ -Z		H	117	17.1±1.1	4.60	0.55	1.44	20.5	21
		S	50	17.5±0.8	3.8	0.6	0.8		6
		L	28						1
SM1- □□□ -06 □□ -Z		H	97	18.0±1.5	6.12	0.4	1.95	23.2	15
		S	42	19.0±1.5	5.7	1.0	1.0		2
		L	23						1
SM1- □□□ -07 □□ -Z		H	55	9.9±2.7	11.20	0.5	4.1	18.4	8
		S	25	11.8±2.0	8.6	1.5	1.8		1
		L	16						1
SM1- □□□ -08 □□ -Z		S	25	-2.3±3.0	6.0	X	1.9	5.4	1
		L	17						1
SM1- □□□ -09 □□ -Z		S	15	11.8±3.0	13.3	1.0	2.9	22.1	2
		L	12						1