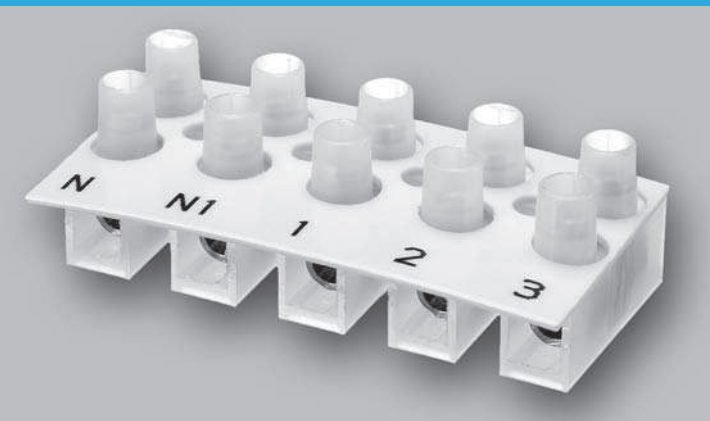
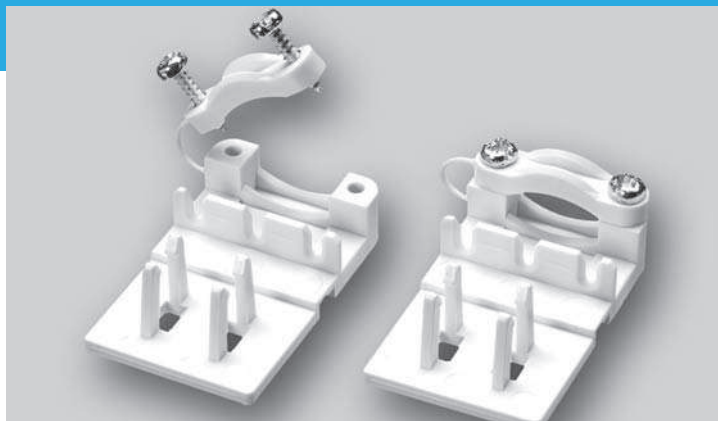


# Accessories Screw Connectors



## Strain Reliefs for Europa Series Type 500

Connection: for conductors size  $\varnothing$  5.5 - 11.0 mm  
 Fixing: into hole size  $\varnothing$  3.5 mm for plates of 0.6 - 1.0 mm thickness  
 Torque screw: C2.9:  $\cup$  max. 0,4 Nm  
 Upon request: different polyamides

## Marking Labels

Fixing: to be fixed on top or underneath Europa Series terminal blocks 230, 500, 1000, 1500 and 2000  
 Upon request: 4 - 11 pole, printing

Description	Item	Order Number	PU
for screw fixing	500/ 3 ZEL	196003	500
for catch pin fixing	500/ 3 ZEL RZ	196103	500

Description	Item	Order Number	PU
<b>for Europa Series Type 230</b>			
Strips, 2 metres	230 BZ/ M	191200	25
2 pole	230 BZ/ 2	191202	250
3 pole	230 BZ/ 3	191203	250
12 pole	230 BZ/12	191212	250
<b>for Europa Series Type 500</b>			
Strips, 2 metres	500 BZ/ M	191300	25
2 pole	500 BZ/ 2	191302	250
3 pole	500 BZ/ 3	191303	250
12 pole	500 BZ/12	191312	250
<b>for Europa Series Type 1000</b>			
Strips, 2 metres	1000 BZ/ M	191400	25
2 pole	1000 BZ/ 2	191402	250
3 pole	1000 BZ/ 3	191403	250
12 pole	1000 BZ/12	191412	250
<b>for Europa Series Type 1500</b>			
Strips, 2 metres	1500 BZ/ M	191700	25
2 pole	1500 BZ/ 2	191702	250
3 pole	1500 BZ/ 3	191703	250
12 pole	1500 BZ/12	191712	250
<b>for Europa Series Type 2000</b>			
Strips, 2 metres	2000 BZ/ M	191800	25
2 pole	2000 BZ/ 2	191802	250
3 pole	2000 BZ/ 3	191803	250
12 pole	2000 BZ/12	191812	250

