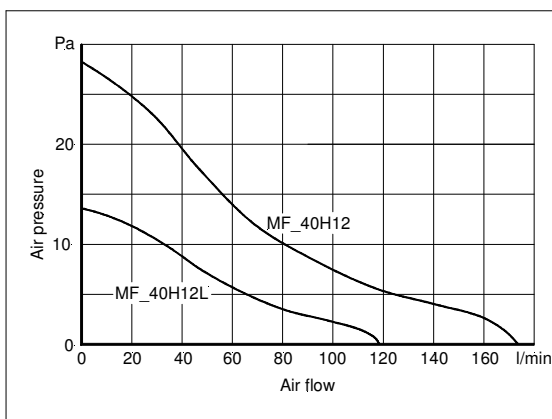


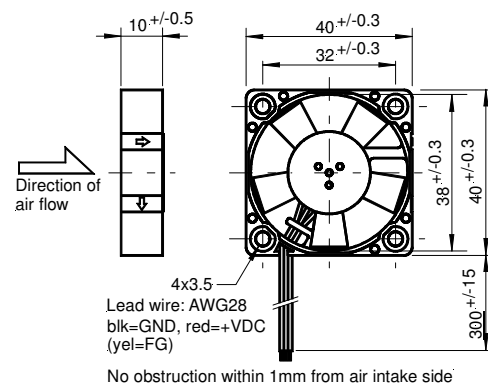
MF_40H12L, MF_40H12 HIGH PERFORMANCE FAN



AIR PERFORMANCE



SHAPE AND DIMENSION



PERFORMANCE

CE		MF_40H12L	MF_40H12
		MF_40H12LA	MF_40H12A
Operating voltage	[VDC]	10.8 ... 12 ... 13.8	
Typ. operating current	[mA]	40	60
Max. start current	[mA]	80	90
Max. air flow	[l/min-m ³ /h]	118 – 7.1	173 – 10.3
Max. air pressure	[Pa-mmH ² O]	13 – 1.3	29 – 3.0
Typ. noise (1m dist. from air intake side)	[dB(A)]	21	25
Typ. rotor speed	[RPM]	3800	5500
FG (...A)	[PPR]	2	
Operating temperature	[°C]	-10 ... +80	
Life expectancy L10/MTBF@ 40°C	[h]	40000/210000	
Bearing system		Magfix sleeve bearing	
Gewicht	[g]	13	
Standard packing quantity	[Pc.]	50-100-500	

This **SEPA**[®] high-tech miniature fan is suitable for industrial or automotive use and has a remarkable air flow performance despite its small dimensions. Thanks to the extremely low power input, this fan is highly suitable for battery-operated devices. It is permanently protected electrically against reverse polarity, blocking and thermal overloading. Due to the low rotor weight and precision balancing, it is virtually vibration-free. It is also insensitive to shock.

Further features of this fan are its extremely robust and torsionally stiff plastic housing of PBT, polyester-based PCB, the Magfix bearing system and absolute reliability due to a 100% burn-in.

Technical changes without notice • 03/15

MF_40H12L, MF_40H12 HIGH PERFORMANCE FAN



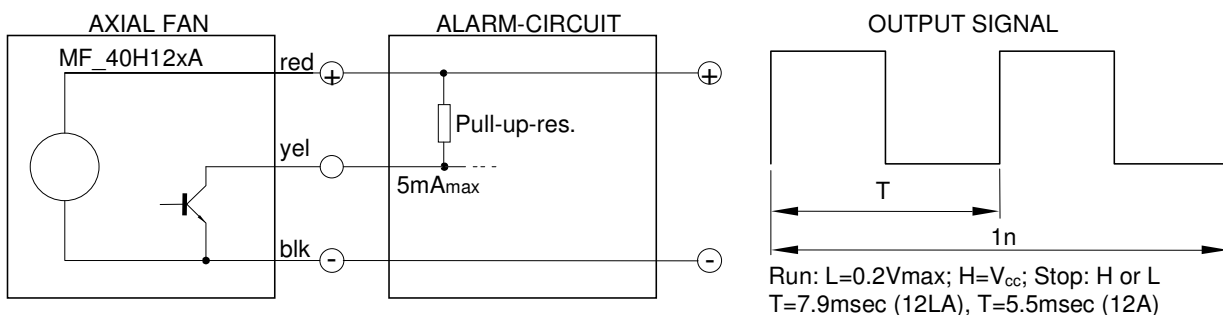
The **SEPA**® fans MF_40H12LA and MF_40H12A include a pulse output, which allows monitoring the correct function of the fan.

The pulse is like a rectangular wave, the frequency correlates to 2x rotor speed. The amplitude is about 5V_{ss} and appears periodically. At blocked rotor the output signal could be L ($\leq 0,2V$) or H (5 V).

IMPORTANT: The pulse output is not protected against short circuit and must not connect to GND or V_{cc} without pre-resistor. A pull-up-resistor is needed. Do not connect not used pulse output (insolate).

The fans MF_40H12LA and MF_40H12A have tinned lead wire ends (without connector).

Do not touch the rotor! Please note the handling specification!



• ACCESSORIES:

Connector: on request

• ORDER INFORMATION (Delivery time on request)

MF_40H12L	SEPA ® Miniture fan, 40x40x10mm, 12VDC, Magfix sleeve bearing, CE	504082100
MF_40H12LA	SEPA ® Miniture fan, 40x40x10mm, 12VDC, Magfix sleeve bearing, FG, CE	T.B.D.
MF_40H12	SEPA ® Miniture fan, 40x40x10mm, 12VDC, Magfix sleeve bearing, CE	504802000
MF_40H12A	SEPA ® Miniture fan, 40x40x10mm, 12VDC, Magfix sleeve bearing, FG, CE	T.B.D.

SEPA® is the brand name for fans and CPU-cooler, made by Nippon Keiki Works LTD., Tokyo