

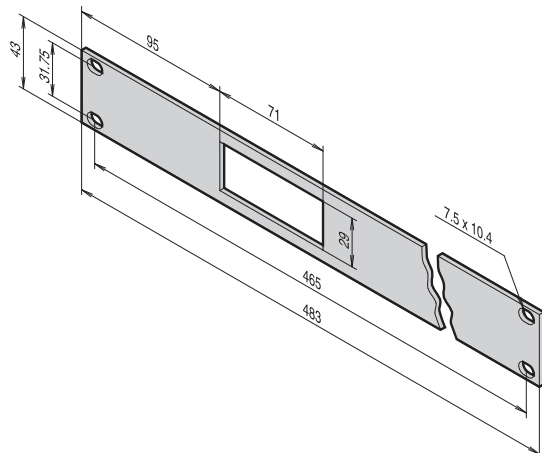
Climate control – Accessories

Thermostat with digital display



01197001

Front panel 1 U



SZA45550

- Adjustment range from -50 to +100 °C (switch difference 0 ... 10 °C)
- Display switchable from °C to °F
- Programmable (secured against unauthorised operation)
- 3-character red segment display



Order Information

Description	Part no.
Thermostat with digital display, 230 V _{AC}	60715-132
Thermostat with digital display, 115 V _{AC}	60715-133
Front panel 1 U, RAL 7035 with cut-out for thermostat	30118-315
Front panel 1 U, anodised with cut-out for thermostat	30118-267
Front panel 1 U, RAL 7021 with cut-out for thermostat	30118-360

Technical data

Operating voltage	115 V _{AC} or 230 V _{AC}
Power consumption	Approx. 3.5 W
Dimensions	Height: 35 mm, width: 76 mm, depth: 59 mm
Assembly cut-out	28.8 × 70.5 mm
Adjustment range	-50 ... +100 °C
Switch difference	0 ... 10 K selectable
Data safeguarding at power failure	Non-volatile memory
Contact load (ohmic load/inductive load)	8 A/3 A (ohmic/inductive load)
Input/sensor	PTC resistance, -55 ... +120 °C, cable length 3 m
Contacts	Relay, changeover contact, single pin
Protection class to front	IP 54
Connection	Screw-on terminals, 2.5 mm ²
Fixing	With clamping bracket
Type of assembly	Can be screwed on



For further information www.schroff.biz/oneclick
oneClick search code = Part no.