

Climate control – Accessories

Thermostat with integrated temperature sensor



- To control fans or heaters
- Adjustment range 5 ... 60 °C
- Individual adaptation with three separate components: thermostat (for cooling or heating), assembly material, connecting cable (IEC connector or ferrules)
- 2 versions
 - for heating
 - for cooling



Delivery comprises

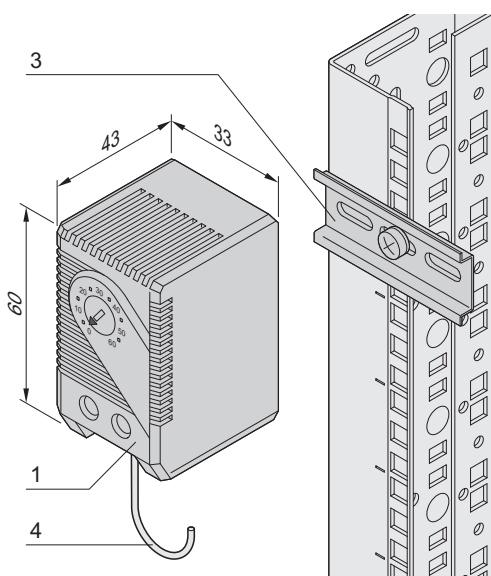
Item	Qty	Description
1	1	Thermostat, width 33 mm, height 60 mm, depth 43 mm; clip-on attachment for 35 mm DIN rail EN 50022, switched voltage 120 ... 250 V _{AC}
2	1	User manual

Order Information

Description	Part no. for cooling	Part no. for heating
Thermostat with integrated temperature sensor	60715-136	60715-137

Accessories

Item 3 DIN rail (EN 50022) 35 mm; length 75 mm; with fixing materials kit, PU 1 set	21120-178
Item 4 Connection cable, SCHUKO/UTE connector, cable length 1.5 m; connection on thermostat/hygrostat, 2-pin, ferrules; connection on fan IEC socket; 1 piece	62150-201
Item 4 Connection cable, SCHUKO/UTE connector, cable length 1.5 m; connection on thermostat/hygrostat, 2-pin, ferrules; connection on fan/heater, 3-pin, ferrules, 1 piece	62150-264



Dimensions

Thermostat	for cooling (make contact), blue control button	for heating (break contact), red control button
Adjustment range	0 ... 60 °C	
Switching temperature difference	7 K (± 4 K tolerance)	
Sensing element	Thermobimetal (snap-action contact)	
Contact resistance	<10 mΩ	
Lifespan	>100000 cycles	
Max. switch performance	10 A at 250 V _{AC} , 15 A at 120 V _{AC} ; 30 W at DC voltage	
Connection	2-pin clamp, up to 2.5 mm ² , torque max. 0.5 Nm	
Case	Plastic, in accordance with UL 94 V-0, light grey	
Dimensions	Height 60 mm, width 33 mm, depth 43 mm	
Assembly	Clip for 35 mm DIN rail, EN 50022	
Weight	40 g	
Operating/storage temperature	-20 ... +80 °C/-45 ... +80 °C	
Protection class	IP 20	



Connection cable: 2-pin, ferrules - IEC socket



Connection cable: 2-pin, ferrules - 3-pin, ferrules



For further information www.schroff.biz/oneclick
oneClick search code = Part no.