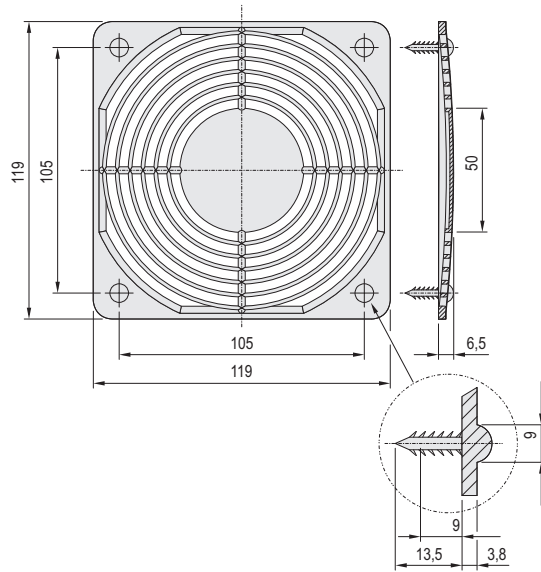


## Climate control – 19" fan trays

### Protective grille to snap-in



01108053

- Protective grille for direct mounting on AC and DC fans

#### Delivery comprises

Item	Qty	Description
1	1	Fibre glass reinforced plastic (PA), black, in accordance with DIN 31001, UL 94 V-0

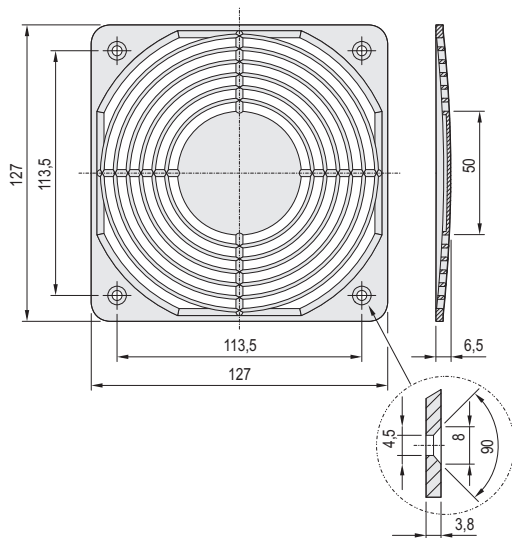
#### Order Information

Description	Part no.
Protective grille, plastic, to snap-in	<b>60225-052</b>



For further information [www.schroff.biz/oneclick](http://www.schroff.biz/oneclick)  
oneClick search code = Part no.

### Protective grille, plastic, to screw-on



01108054

- Protective grille for AC and DC fans
- Grille may be mounted on a front panel or the wall of the housing

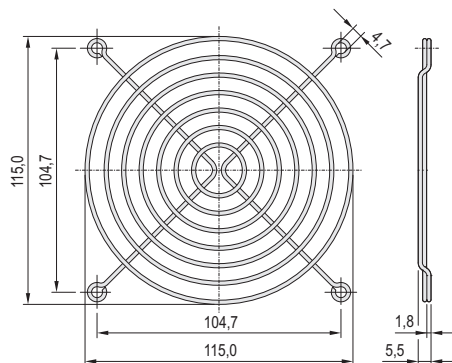
#### Delivery comprises

Item	Qty	Description
1	1	Fibre glass reinforced plastic (PA), black, in accordance with DIN 31001, UL 94 V-0

#### Order Information

Description	Part no.
Protective grille, plastic, to screw-on	<b>60225-053</b>
<b>Assembly kit for plastic grille</b> (4 screws, 4 washers, 4 nuts M4), PU 1 set	<b>21102-014</b>

### Protective grille, metal, to screw-on



01108050

- Protective grille for direct mounting on AC and DC fans
- Optimised noise level and air resistance

#### Delivery comprises

Item	Qty	Description
1	1	St, 1 mm

#### Order Information

Description	Part no.
Protective grille, metal, to screw-on	<b>60197-019</b>
<b>Assembly kit for metal grille</b> (4 screws, 4 washers, 4 nuts M4), PU 1 set	<b>21102-015</b>