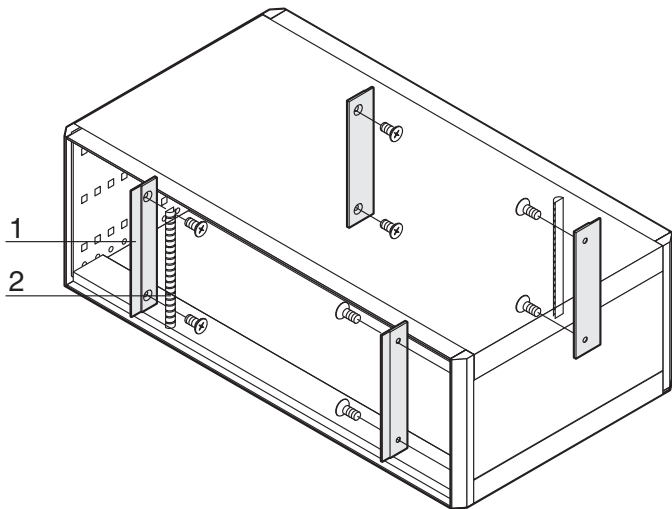


## Desk-top cases - *ratiopac* **PRO** / -air

### EMC sealing front/rear panel to side panel



rppr6639

- For vertical EMC shielding between sub-assemblies and side panel
- Scope of delivery sufficient for one case

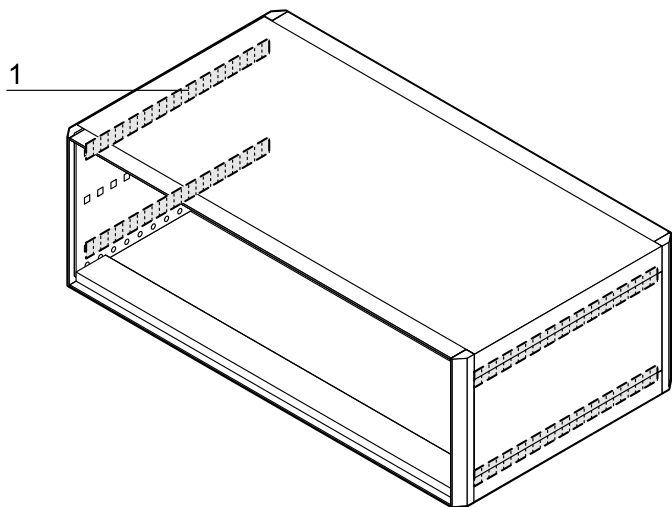
#### Delivery comprises (kit)

Item	Qty	Description
1	4	EMC support profile, Al extrusion
2	2	EMC sealing (textile), core: foam, sleeve: textile cladding with CuNi coating
3	1	Assembly kit

#### Order Information

For case height	Part no.
<b>U</b>	
2, 3-air	24571-334
3, 4-air	24571-331
4, 5-air	24571-332
6, 7-air	24571-333
5, 6-air	24571-335

### EMC sealing side panel to cover plate



RPPR6640

- For horizontal EMC shielding between side panels and cover plates
- Scope of delivery sufficient for one case

#### Delivery comprises (kit)

Item	Qty	Description
1	4	Contact strip, stainless steel

#### Order Information

Depth	Part no.
<b>mm</b>	
255	24571-338
315	24571-339
375	24571-340
435	24571-341
495	24571-342



For further information [www.schroff.biz/oneclick](http://www.schroff.biz/oneclick)  
oneClick search code = Part no.