

Power supply systems – 19" AC/DC switch-mode PSUs

slimpower 42 W, single



11302001

- Width only 3 HP
- Wide input voltage range
85 ... 254 VAC and 120 ... 360 VDC
- Single output voltage with low interferences
(low ripple < 10 mV_{PP})
- Integrated decoupling diode for redundancy operation
(can be activated)
- Passive Current Share Bus
- Signalling: Output voltage OK



Delivery comprises

Qty	Description
1	19"-compatible power supply unit height 3 U width 3 HP depth 171.93 mm (160 mm board depth) connector H 15 M

Order Information

Voltage V	Current A	Power W	Description	Part no.
5	6	30	SLE 105	13100-136
12	3.5	42	SLE 112	13100-137
15	2.8	42	SLE 115	13100-138
24	1.7	41	SLE 124	13100-139

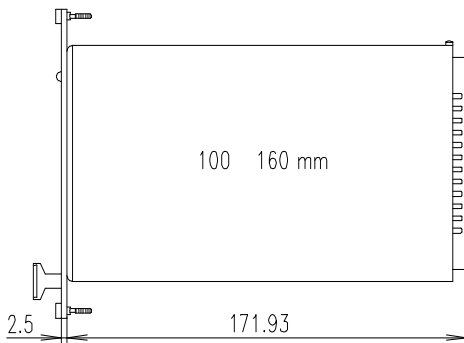
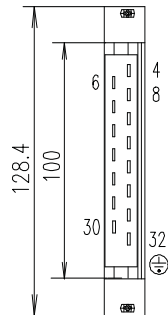
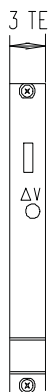
Front panel 3 HP, Al, front anodised, rear iridescent green chromated, with vertical grooves for EMC gaskets, incl. assembly kit, 1 piece 21006-959

EMC gaskets (stainless steel) 3 U, 97 mm, stainless steel, two pieces necessary per front panel, PU 10 pieces 21101-705

Connector H 15 F Mating connector (female) for wiring inputs/outputs (6.3 mm FASTON), 1 piece 69001-733

Note

- Please order front panel separately
- Output data at T_A = 0 ... 50 °C
- Customised front panels available via www.frontpanelexpress.eu
- Further accessories see page 9.16



11302054

TE = HP

Connector pin-out

Pin	Connection
4	Output + V ₁
6	Output + V ₁
8	Sense line + V ₁
10	Sense line 0 V ₁
12	Output 0 V ₁
14	Output 0 V ₁
16	–
18	–
20	–
22	–
24	Output OK
26	–
28	L
30	N
32	PE ⊕



For further information www.schroff.biz/oneclick
oneClick search code = Part no.