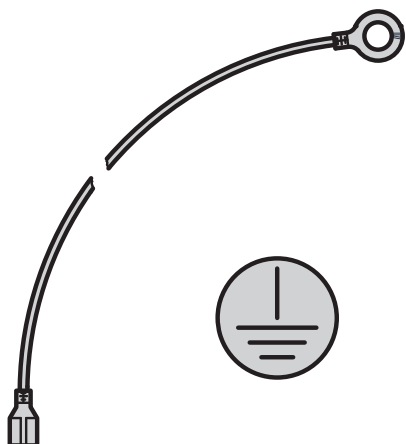


Desk-top cases - *comptec*

GND/earthing kit



aza43294

- The GND/earthing kit allows VDE compliant earthing of cases in accordance with:
EN 50178/VDE 0160
EN 60950/VDE 0805
EN 61010-1/VDE 0411 part 1
EN 61010-1A2/VDE 0411 part 1/A

- VDE tested

Delivery comprises (kit)

Item	Qty	Description
1	1	GND/earthing kit, Cu wire, 1.5 mm ² , PVC sheathing, green/yellow, connects side panels, cover, base plate and rear panel

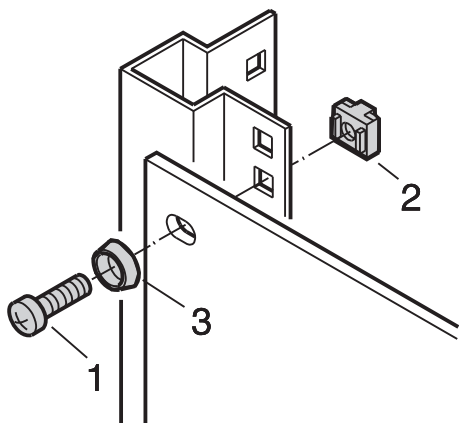
Order Information

Description	Up to 4 U	bigger than 4 U
	Part no.	Part no.
GND/earthing kit for cases with steel covers	21100-490	21100-448
GND/earthing kit for cases with aluminium covers	-	21100-347



For further information www.schroff.biz/oneclick
oneClick search code = Part no.

19" fixing



SC128XXX

- For fitting subracks or 19" chassis in a comptec case
- For fixing 19" front panels

Delivery comprises

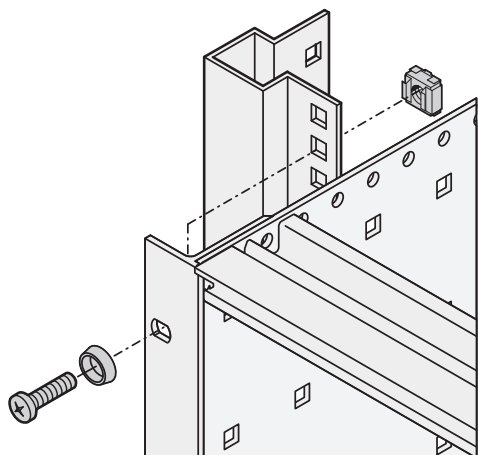
Item	Description
1	Screw M6 x 16, zinc-plated with Pozidrive
2	Cage nut M6, zinc-plated
3	Plastic washer, ABS, black

Order Information

Description	Part no.
PU = 8 x screw, washer, nut	21100-435
PU = 50 each of M6 screw, washer and cage nut	21101-809
PU = 100 each of M6 screw, washer and cage nut	21101-810



For further information www.schroff.biz/oneclick
oneClick search code = Part no.



06108055