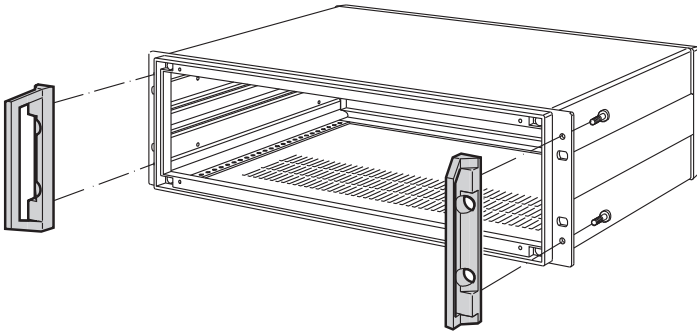
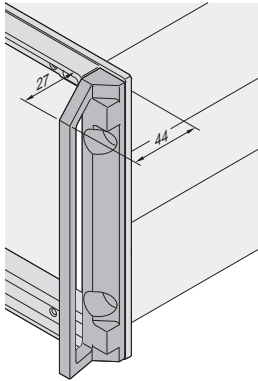


19" chassis - *inpac*

Front handles



IPA30636



02108050

- Load-carrying capacity 35 kg per pair

Delivery comprises (kit)

Item	Qty	Description
1	2	Front handle, Al die-cast, powder-coated, RAL 7030, incl. assembly kit

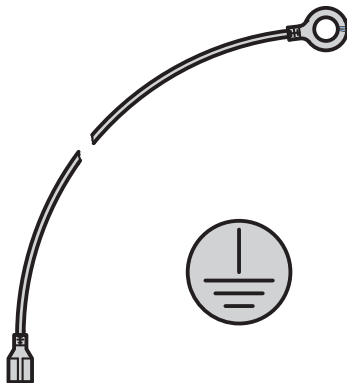
Order Information

Height	Part no.
U	
3	20828-127
4	20828-128
6	20828-129



For further information www.schroff.biz/oneclick
oneClick search code = Part no.

GND/earthing kit



aza43264

- The GND/earthing kit allows VDE-compliant earthing of the case to:

- DIN EN 50178/VDE 0160
- DIN EN 60950/VDE 0805
- DIN EN 61010-1/VDE 0411 Part 1
- DIN EN 61010-1A2/VDE 0411 Part 1/A

- VDE inspection has been carried out

Order Information

Description	Qty/PU	Part no.
GND/earthing kit, Cu wire, 1.5 mm ² , PVC sleeve, green/yellow, links side panels, top cover, base plate and rear panel	1	21100-814



For further information www.schroff.biz/oneclick
oneClick search code = Part no.