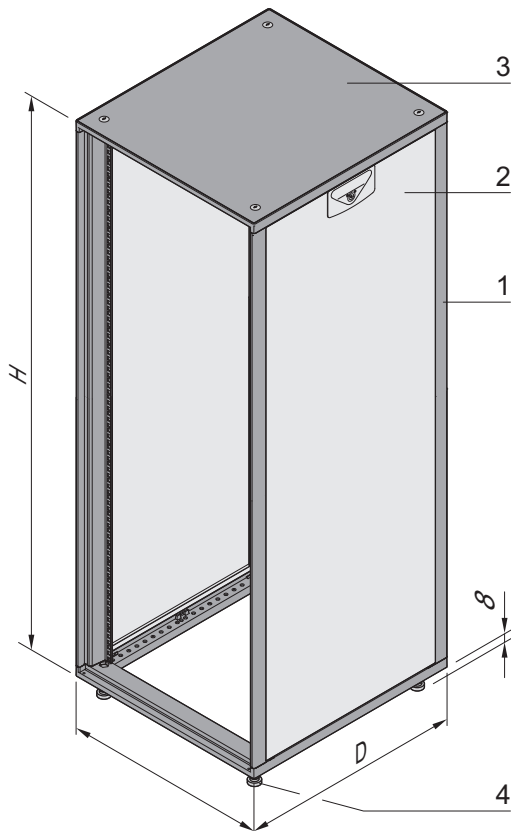


Cabinets - NOVASTAR

19" cabinet, door and rear panel combination freely selectable



07011013



07011051

Spacing to 19" plane:
Slim-Line: front 33 mm, rear 60 mm;
Heavy-Duty: front and rear 60 mm



ServicePLUS see page 1.256

- All uprights (front and rear) with 19" cut-outs
- Flush cladding parts
- Type of protection IP 20
- 3 cabinet depths (500, 600 and 800 mm), cabinet width 553 mm
- Static load-carrying capacity
 - Slim-Line 200 kg (9 U to 25 U)
 - Heavy-Duty 400 kg (34 U to 47 U)
- 2 colours
 - RAL 7021 (black grey) throughout
 - Colour combination: side panels RAL 7035 (light grey); frame, top cover RAL 7021 (black grey)

NEW

Delivery comprises (assembled)

Item	Qty	Description
1	1	Frame, uprights Al extrusion with 19" cut-outs, Al die-cast frame, RAL 7021
2	2	Side panel, St, 1 mm; light grey (RAL 7035) or black grey (RAL 7021), see Order information; twist-locking catch (Torx T30)
3	1	Flush top cover, St, 1 mm, RAL 7021
4	4	Foot
5	1	GND/earthing kit

Order Information

Usable height	Height H	Width W	Depth D	Colour RAL 7021	Colour RAL 7035/ RAL 7021
U	mm	mm	mm	Part no.	Part no.
Slim-Line					
9	456	553	600	15230-001	16230-001
12	589	553	500	15230-002	16230-002
12	589	553	600	15230-003	16230-003
16	767	553	500	15230-004	16230-004
16	767	553	600	15230-005	16230-005
20	945	553	500	15230-006	16230-006
20	945	553	600	15230-007	16230-007
20	945	553	800	15230-008	16230-008
25	1167	553	600	15230-009	16230-009
25	1167	553	800	15230-010	16230-010
Heavy-Duty					
34	1567	553	600	15230-011	16230-011
34	1567	553	800	15230-012	16230-012
38	1745	553	600	15230-013	16230-013
38	1745	553	800	15230-014	16230-014
43	1967	553	600	15230-015	16230-015
43	1967	553	800	15230-016	16230-016
47	2145	553	600	15230-017	16230-017
47	2145	553	800	15230-018	16230-018

Accessories

Lifting eye for flush cover M12 thread, application and load to DIN 582 PU 4 pieces	27230-066
---	-----------

- Please order doors, rear panel, base plate, base/plinth, slide rails and shelves separately, see from page 1.246
- Castors see page 1.249
- Other accessories/components see ServicePLUS, from page 1.257
- Dimension drawings see from page 1.242