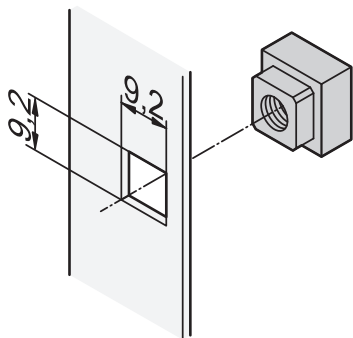


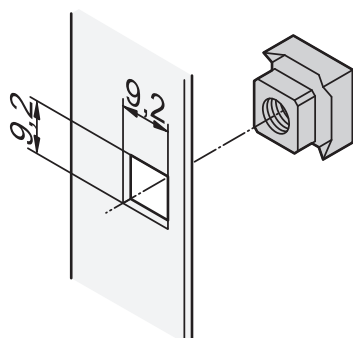
## Cabinet Accessories – Mechanics

### Square nut M6



Square nut

bza42735



Square GND/earthing nut

06704051

- For precise, anti-twist secure mounting without clearance
- For standard GND/earthing use a square GND/earthing nut and a nomel washer on at least one attachment point

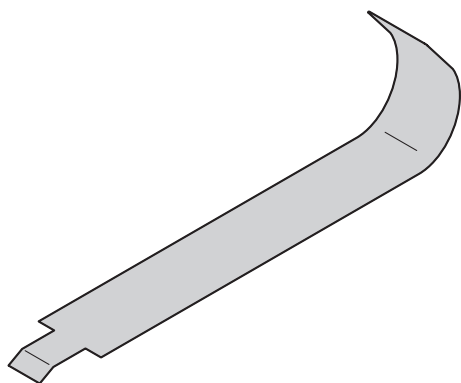
#### Order Information

Description	Description	Qty/PU	Part no.
Square nut M6	St, zinc-plated, for material thickness of 3.7 mm	50	<b>21100-558</b>
Square nut M6	St, zinc-plated, for material thickness of 3.7 mm	100	<b>21101-007</b>
Square GND/earthing nut M6	St, zinc-plated, for material thickness of 1.5 mm	50	<b>21101-172</b>
Square GND/earthing nut M6	St, zinc-plated, for material thickness of 3.5 mm	50	<b>21101-171</b>
Nomel washer for GND/earthing, M6	St, zinc-plated, inner diameter 6.1 mm, external diameter 12.2 mm	100	<b>21101-173</b>
<b>Delivery: supplied loose with cabinet or frame</b>			<b>Part no./35</b>



For further information [www.schroff.biz/oneclick](http://www.schroff.biz/oneclick)  
oneClick search code = Part no.

### Mounting aid for cage nuts



06708057

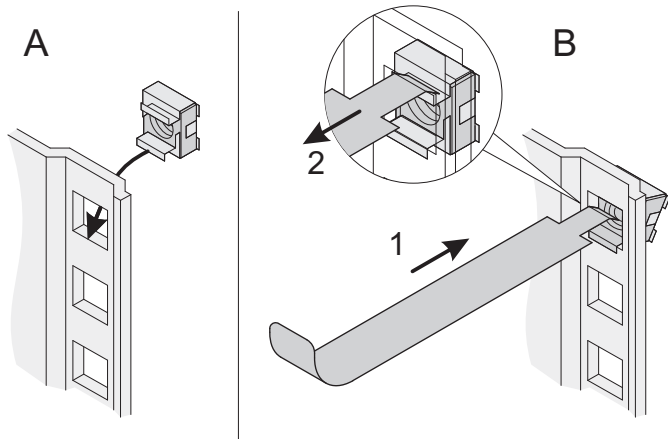
- To fit/remove cage nuts

#### Order Information

Description	Qty/PU	Part no.
Mounting aid for cage nuts	1	<b>21127-990</b>
<b>Delivery: supplied loose with cabinet or frame</b>		<b>Part no./35</b>



For further information [www.schroff.biz/oneclick](http://www.schroff.biz/oneclick)  
oneClick search code = Part no.



06708056