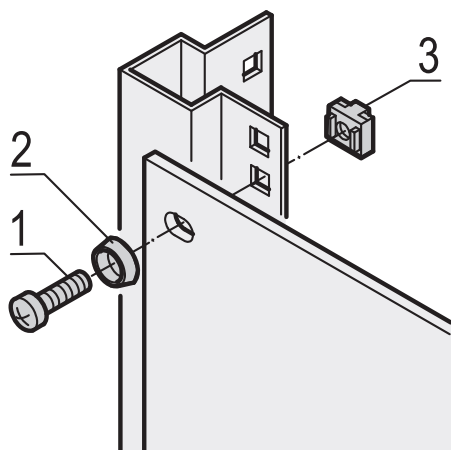
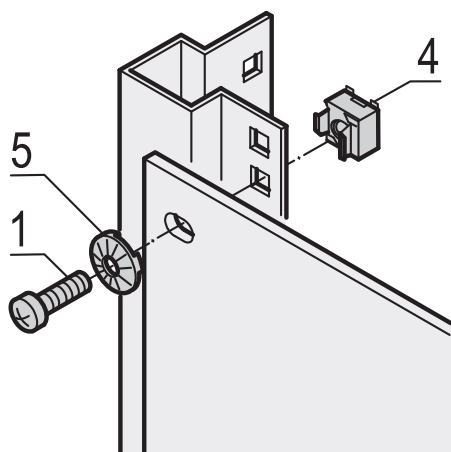


Cabinet Accessories – Mechanics

19" assembly kit M6



Without GND/earthing



With GND/earthing

- For mounting of front panels, distribution fields or other components on the frame, slide mounts or depth members with square cut-outs
- For standard GND/earthing use a GND/earthing nut and a nomel washer on at least one attachment point

Delivery comprises

Item	Description
1	Panhead screw, M6 x 16, St, zinc-plated
2	Plastic washer, black
3	Cage nut, M6, St, zinc-plated
4	GND/earthing cage nut, M6, St, zinc-plated
5	Nomel washer, St, zinc-plated, internal diameter 6.1 mm, external diameter 12.2 mm

Order Information

Item	Description	Qty/PU	Part no.
1+2+3	19" assembly kit (screw, washer, nut)	4	21190-095
1+2+3	19" assembly kit (screw, washer, nut)	32	21190-435
1+2+3	19" assembly kit (screw, washer, nut)	50	21101-809
1+2+3	19" assembly kit (screw, washer, nut)	100	21101-810
1	Panhead screw M6, zinc-plated	50	21100-021
1	Panhead screw M6, zinc-plated	100	21100-022
1	Panhead screw M6, zinc-plated, black	100	21100-650
2	Plastic washer	50	21100-015
2	Plastic washer	100	21100-016
3	Cage nut M6	50	21100-003
3	Cage nut M6	100	21100-004
4	GND/earthing cage nut M6	10	21120-131
4	GND/earthing cage nut M6	100	21120-132
5	Nomel washer for GND/earthing, M6	100	21101-173
Delivery: supplied loose with cabinet or frame			Part no./35



For further information www.schroff.biz/oneclick
OneClick search code = Part no.