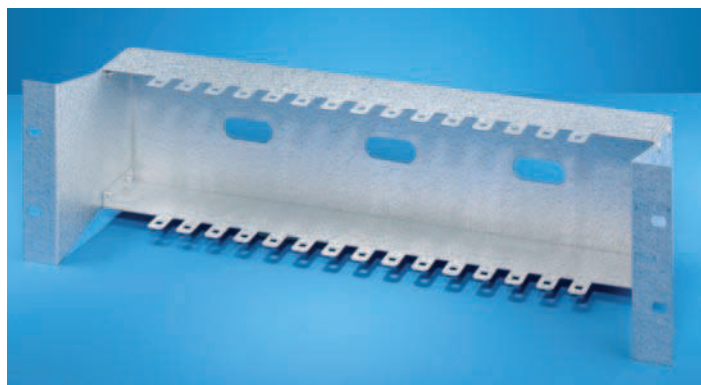


Cabinet Accessories – Mechanics

19" mounting tray for LSA+



00506008

- Mounting height 3 U
- For retention of up to 15 LSA+ guide rails

Delivery comprises (kit)

Item	Qty	Description
1	1	19" mounting tray, St, 1.5 mm, finish AlZn
2	2	Flange cover, Al, anodised

Order Information

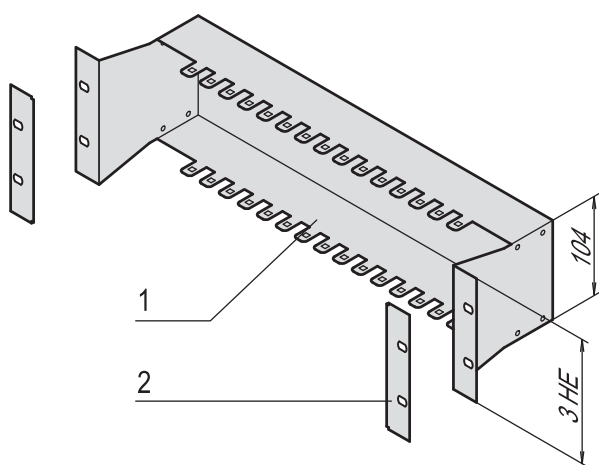
Description	Part no.
19" mounting tray for LSA+	21493-079
Delivery: supplied loose with cabinet or frame	Part no./35

Note

- 19" assembly kit see page 3.17

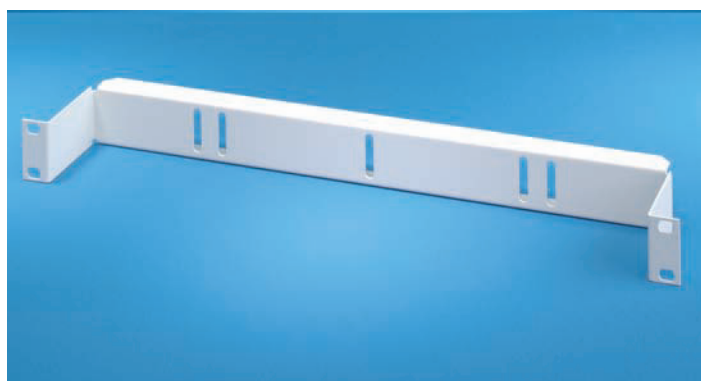


For further information www.schroff.biz/oneclick
oneClick search code = Part no.



VTA45668

19" mounting bracket



00506007

- Mounting height 1 U
- For fixing cable channels and system rails (e.g. LSA+ or Infra+)
- Mounting plane set back by optionally 70 or 170 mm relative to the 19" plane

Delivery comprises

Item	Qty	Description
1	1	19" mounting bracket, St, 1.5 mm, RAL 7035

Order Information

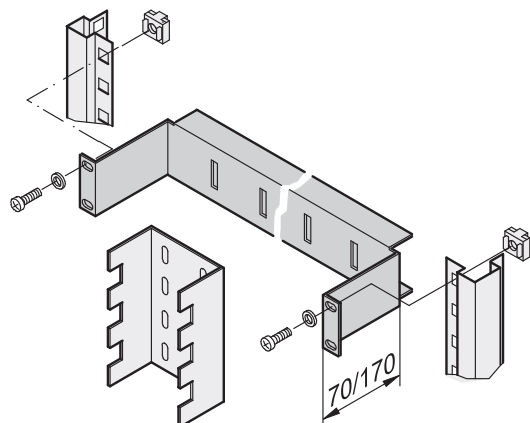
Description	Depth mm	Part no.
19" mounting bracket	70	30118-802
19" mounting bracket	170	30118-803
Delivery: supplied loose with cabinet or frame		Part no./35

Note

- 19" assembly kit see page 3.17



For further information www.schroff.biz/oneclick
oneClick search code = Part no.



SC30