

Wall mounted cases - *epcase*

10" wall mounted case



01505007

- Multi-functional 10" wall case with hinged side panels
- Cable entry possible from above or below; the cable entry opening can be sealed with a brush strip
- 10" slide mounts are depth-adjustable in 25 mm increments

Delivery comprises (assembled)

Item	Qty	Description
1	1	Basic case, C-form, St, 2 mm, RAL 7021
2	1	Glazed door with key lock (key no. 2233), frame, St, 1.5 mm, RAL 7035, Sekurit glass, 4 mm
3	2	Side panel, St, 1,5 mm, RAL 7035
4	2	10" panel/slide mounts, St, 1.5 mm, finish AlZn
5	2	Brush strips
6	1	Assembly kit for wall mounting

Order Information

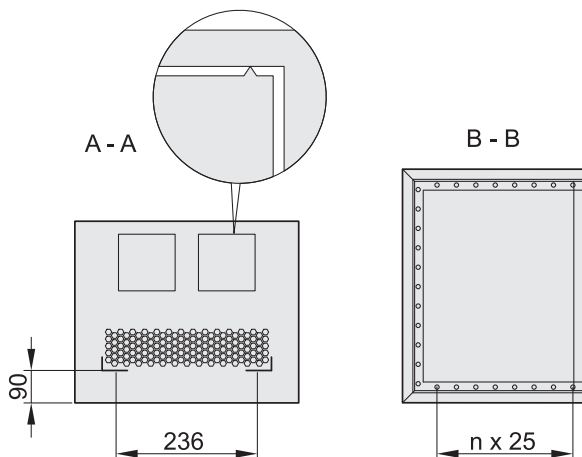
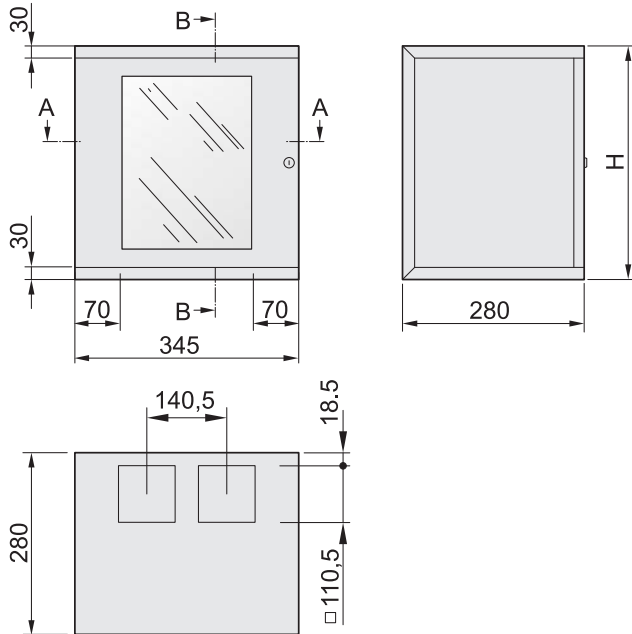
Height U	Height H mm	Width W mm	Depth D mm	Weight kg	Part no.
4	262	345	280	5	10238-151
8	462	345	280	10	10238-152
12	612	345	280	23	10238-153
GND/earthing, PU 1 kit					21236-097
Cable tie 92 mm x 2.5 mm, PU 25 pieces					20118-351
19" assembly kit (screw, washer, nut) (32 x M6 screws x 16, 32 x plastic washers, 32 x cage nuts)					21190-435
Feet, plastic, black, PU 4 pieces					21236-089

Note

- Lever handle and DIN profile half cylinder cannot be retrofitted



For further information www.schroff.biz/oneclick
oneClick search code = Part no.



eca46478



ServicePLUS see page 2.46