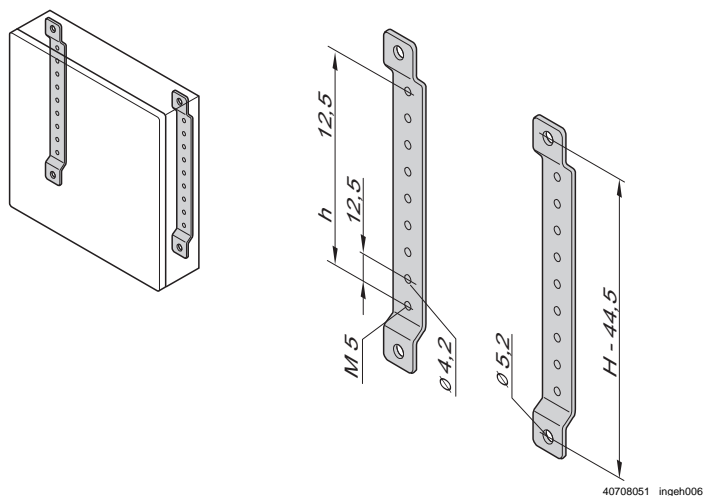


Wall mounted cases - INLINE

Fixing rail for internal configuration



- Required for mounting support rails in installation case

Delivery comprises (kit)

Item	Qty	Description
1	2	Fixing rail, St, 3.4 mm, zinc-plated, assembly kit included in basic case

Order Information

Case height H mm	n	h mm	Part no.
200	8	100	LMK20
300	16	200	LMK30
400	24	300	LMK40

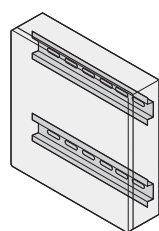
Note

- Support rail see below



For further information www.schroff.biz/oneclick
oneClick search code = Part no.

Support rail



- For assembly directly into terminal housing
- To assemble into installation case fixing rails are required
- 2 versions
 - TS 35/7.5 (EN 50022)
 - TS 35/15 (EN 50022)

Delivery comprises

Item	Qty	Description
1	4	Support rail, St, 1 mm, zinc-plated, assembly kit included in basic case

Order Information

Support rail length l mm	For cases Width W mm	Part no.	
		TS 35/7.5	TS 35/15
125	150	62405-001	62405-010
175	200	62405-002	62405-011
275	300	62405-003	62405-012
375	400	62405-004	62405-013

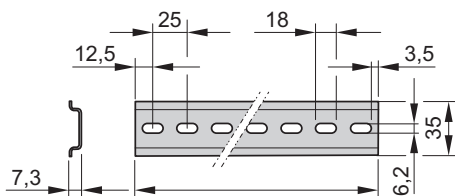
Note

- Fixing rail see above



For further information www.schroff.biz/oneclick
oneClick search code = Part no.

TS 35/7.5



TS 35/15

