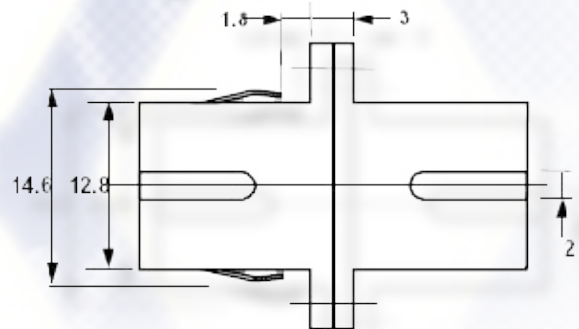
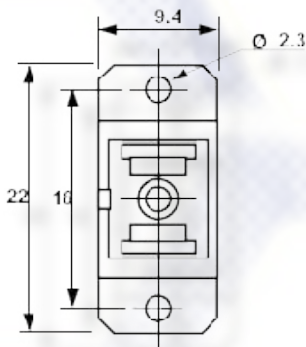


SC Adapter

An optical fibre adapter or uniter is used to mate two connectors together, usually mounted in a distribution panel or wall box. In most cases it is the critical part of the system that aligns the ferrule part of the connectors keeping the fibres in perfect alignment.

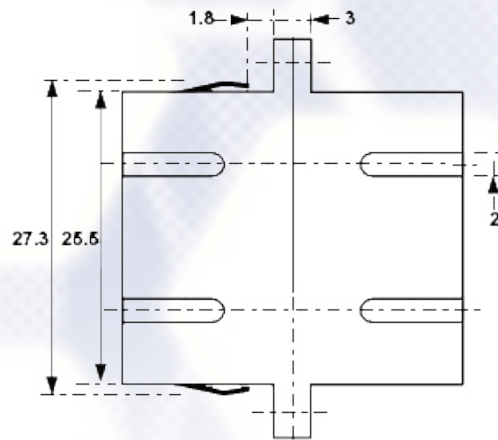
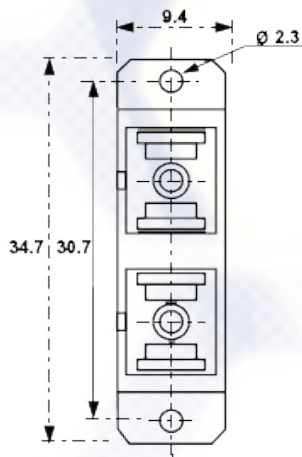
Generally there are two types of alignment sleeve within an adapter, phosphor bronze for multi-mode or zirconia (ceramic) for single mode.



The SC connector and adapter are the most used set for modern day optical fibre systems. With the audible click locking mechanism and pull proof design this connector provides a secure interconnect.

SC Adapter

Specifications



Ordering Information

SC multimode
Beige adapter

Simplex

SCUSPHRBEIGE

Duplex

SCUDPHRBEIGE

SC singlemode

Blue adapter

Simplex

SCUSZR02

Duplex

SCUDZR02

SC singlemode APC

Green adapter

Simplex

SCAPCUGREEN

Duplex

SCAPCUDGREEN

www.fibrefab.com