

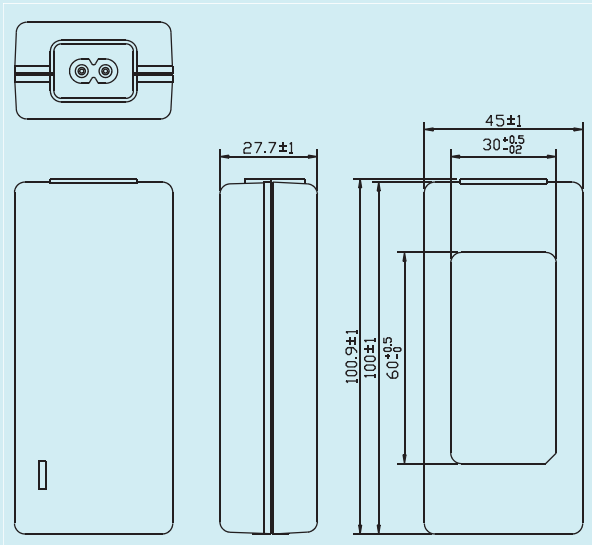


# SA130B-XXU

[www.sac-ontop.com.tw](http://www.sac-ontop.com.tw)

## 30W Switching Adapter

Input					Electrical	
Rated Voltage	100 - 240 VAC				Topology	Switching Mode
Max. Voltage	90 - 264 VAC				Hi-Pot	3000 Vac/1sec @ 5mA (primary - secondary)
Line Frequency	47 - 63 Hz				Leakage Current	$\leq 0.25\text{mA}$ , at 264VAC/50Hz
Current	1000mA at 100-240VAC				Hold Up Time	$\geq 8$ mSec
Configuration	IEC-320, C8 2PIN				Standby Power	$\leq 0.3$ Watt
Output					EMI	Complies with EMI directives
Model Name	Voltage	Current	Watt	Efficiency	Energy Star Requirement	EPS 2.0 (Efficiency Level V)
SA130B-09U	9V	3.0A	27W	75%	ErP Requirement	Efficiency Level : Stage 2
SA130B-12U	12V	2.5A	30W	78%	MEPS Requirement	Efficiency Level: V
SA130B-15U	15V	2.0A	30W	80%		
SA130B-24U	24V	1.25A	30W	80%		
SA130B-27U	27V	1A	27W	80%		
Line Regulation	Less than $\pm 2\%$				Mechanical	
Load Regulation	Less than $\pm 5\%$				Case Size	100L x 45W x 27.7H mm
Protections	OCP, OVP & Short circuit				Case Material	Black, 94V-1 or equivalent
Ripple & Noise	$\leq 100\text{mVp-p}$ max. for 9V $\leq 1\% V_o$ (for 12V, 15V, 24V, 27V)				Weight	177 $\pm$ 10g
Environment					DC Cord	4.92ft
Operating Temp.	0°C - 40°C				LED Indicator	Option
Storage Temp.	-20°C - 80°C					
Operating Humidity	10% - 90% (Non-condensing)					
RoHS & WEEE	Standard					
Reliability						
MTBF	50,000 hrs (by MIL-217 Standard)					
Safety	ITE: UL, CSA, TUV, CB, CE (for 9V, 12V, 24V, 27V)					
Others						
Package	60 pcs/box					
Min. Order	1K pcs/lot					
Warranty	1 year					



For reference only. For details please contact your local sales representative.