



MEAN WELL

SWITCHING POWER SUPPLY
ISO-9001 CERTIFIED MANUFACTURER

S-320 SERIES

- .LOW COST, HIGH RELIABILITY
- .COOLING FAN ON/OFF AUTOMATICALLY
- .INTERNATIONAL AC INPUT RANGE
- .HIGH EFFICIENCY, LOW WORKING TEMPERATURE
- .SOFT-START CIRCUIT, LIMITING AC SURGE CURRENT
- .SHORT CIRCUIT, OVERLOAD, OVER VOLTAGE, OVER TEMP PROTECTED
- .COMPACT SIZE, LIGHT WEIGHT
- .100% FULL LOAD BURN-IN TEST
- .BUILT IN EMI FILTER, LOW RIPPLE NOISE
- .105°C OUTPUT CAPACITOR



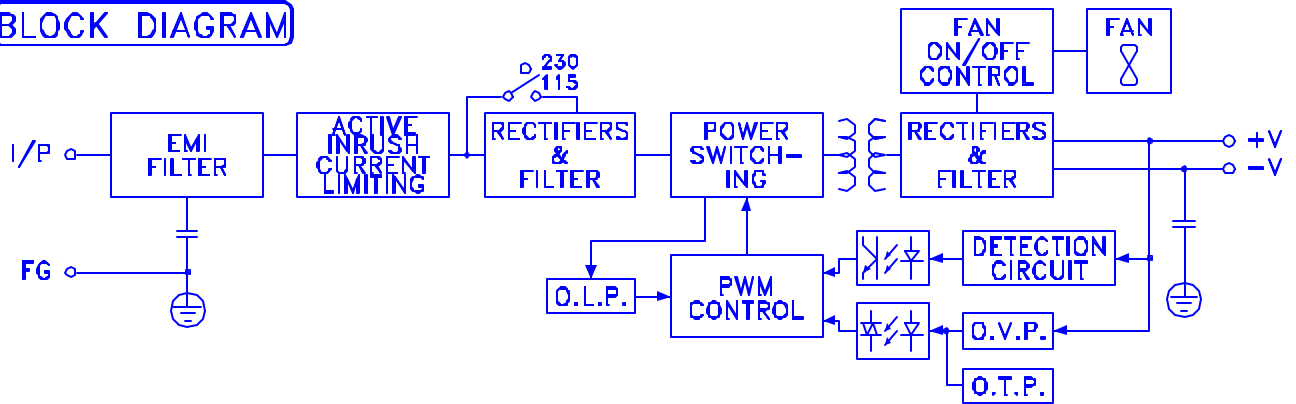
MODEL	S-320-5	S-320-7.5	S-320-12	S-320-13.5	S-320-15	S-320-24	S-320-27	S-320-48
DC OUTPUT VOLTAGE	5V	7.5V	12V	13.5V	15V	24V	27V	48V
OUTPUT V. TOLERANCE	±2%	±2%	±1%	±1%	±1%	±1%	±1%	±1%
OUTPUT RATED CURRENT	50A	36A	25A	22A	20A	12.5A	11A	6.5A
OUTPUT CURRENT RANGE	0-50A	0-36A	0-25A	0-22A	0-20A	0-12.5A	0-11A	0-6.5A
RIPPLE & NOISE	150mVp-p	150mVp-p	150mVp-p	150mVp-p	150mVp-p	150mVp-p	200mVp-p	240mVp-p
LINE REGULATION	±0.5%	±0.5%	±0.5%	±0.5%	±0.5%	±0.5%	±0.5%	±0.5%
LOAD REGULATION	±1%	±1%	±0.5%	±0.5%	±0.5%	±0.5%	±0.5%	±0.5%
DC OUTPUT POWER	250W	270W	300W	297W	300W	300W	297W	312W
EFFICIENCY	77%	80%	82%	83%	84%	86%	86%	87%
DC VOLTAGE ADJ.	4.5-5.7V	6-9V	10-13.2V	12-15V	13.5-18V	20-26.4V	26-32V	41-56V
INPUT VOLTAGE RANGE	88~132VAC / 176~264VAC BY SWITCH 47~63Hz; 248~370VDC							
AC CURRENT	6A/115V 3.5A/230V							
INRUSH CURRENT	20A/115V 40A/230V							
LEAKAGE CURRENT	<3.5mA/240VAC							
OVERLOAD PROTECTION	105~135% TYPE:PULSING HICCUP SHUTDOWN RESET:AUTO RECOVERY							
OVER VOLTAGE PROTECTION	5.75-6.75V	9.4-10.9V	13.8-16.2V	15.5-18.2V	18-21V	27.6-32.4V	33.7-39.2V	57.6-67.2V
FAN CONTROL, O.T.P.	RTH1>=65°C FAN ON, <=55°C FAN OFF, >=70°C OUTPUT SHUTDOWN (5~15V) RTH1>=70°C FAN ON, <=65°C FAN OFF, >=80°C OUTPUT SHUTDOWN (24~48V)							
TEMP. COEFFICIENT	±0.03% / °C (0~50°C)							
SETUP, RISE, HOLD UP TIME	2s, 20ms, 20ms							
VIBRATION	10~500Hz, 2G 10min./1cycle, PERIOD FOR 60min. EACH AXES							
WITHSTAND VOLTAGE	I/P-O/P:3KVAC I/P-FG:1.5KVAC O/P-FG:0.5KVAC							
ISOLATION RESISTANCE	I/P-O/P, I/P-FG, O/P-FG:500VDC / 100M Ohms							
WORKING TEMP., HUMIDITY	-10°C~+60°C(REFER TO OUTPUT DERATING CURVE), 20%~90% RH							
STORAGE TEMP., HUMIDITY	-20°C~+85°C, 10%~95% RH							
DIMENSION	215*115*50mm CASE:912							
WEIGHT	1.15Kgs							
SAFETY STANDARDS	UL1950 APPROVED							
EMC STANDARDS	-----							

- NOTE :
- 1.ALL PARAMETERS ARE SPECIFIED AT 230VAC INPUT, RATED LOAD, 25°C 70% RH. AMBIENT.
 - 2.TOLERANCE GINCLUDE SET UP TOLERANCE, LINE REGULATION, LOAD REGULATION.
 - 3.RIPPLE & NOISE ARE MEASURED AT 20MHZ BY USING A 12" TWISTED PAIR TERMINATED WITH A 0.1uF & 47uF CAPACITOR.
 - 4.LINE REGULATION IS MEASURED FROM LOW LINE TO HIGH LINE AT RATED LOAD.
 - 5.LOAD REGULATION IS MEASURED FROM 0% TO 100% RATED LOAD.
 - 6.C3,4,41 MUST BE REMOVED.

1999-07-28

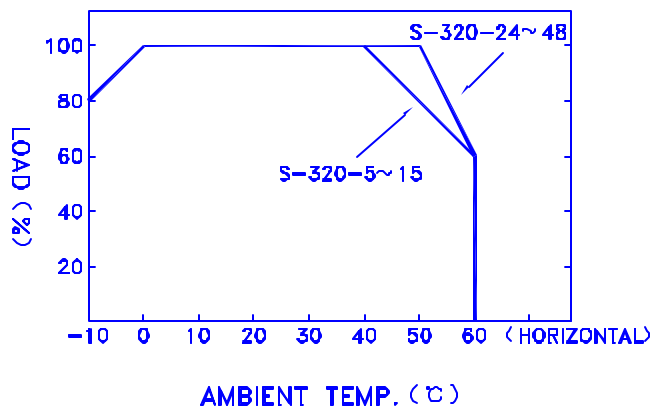
S-320 SERIES

BLOCK DIAGRAM

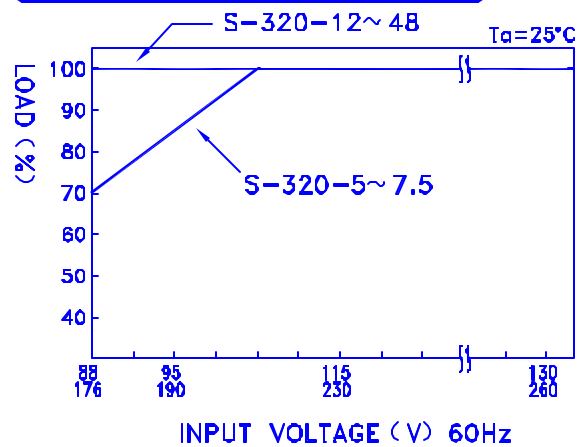


fosc: 90KHz

OUTPUT DERATING



STATIC CHARACTERISTICS



DIMENSION (mm)

- ☒ CASE : 912
- ☒ TERMINAL PIN NO. ASSIGNMENT
 - ☒ PIN 1,2 : AC INPUT
 - ☒ PIN 3 : FG \perp
 - ☒ PIN 4,5,6: DC OUTPUT -V
 - ☒ PIN 7,8,9: DC OUTPUT +V

