



· AC · S125AP



120x120x25.5mm / 4.7x1inch

75~42 CFM

Axial Plastic Impeller

Model No	Rated Volt	Voltage Range	Freq	Input Power	Ref. Speed	Max. Airflow		Max. Static Pressure		Noise Level	PQ
	VAC	VAC	Hz	Watt	RPM	CFM	m3/min	Inch/H2O	mm	db(A)	
S125AP-11-1**	115	100~120	50/60	15/13	2500/2950	60/75	1.7/2.1	0.24/0.29	6.1/7.37	37	2/1
S125AP-11-2**	115	100~120	50/60	12/10	2300/2400	55/62	1.6/1.8	0.21/0.23	5.33/5.84	30	4/3
S125AP-11-3**	115	100~120	50/60	8/6	1800/1600	45/42	1.3/1.2	0.18/0.16	4.57/4.06	25	6/5
S125AP-22-1**	230	200~240	50/60	15/13	2500/2950	60/75	1.7/2.1	0.24/0.29	6.1/7.37	37	2/1
S125AP-22-2**	230	200~240	50/60	12/10	2300/2400	55/62	1.6/1.8	0.21/0.23	5.33/5.84	30	4/3
S125AP-22-3**	230	200~240	50/60	8/6	1800/1600	45/42	1.3/1.2	0.18/0.16	4.57/4.06	25	6/5
S125AP-11/22-1** dual voltage	115	100~120	50/60	15/13	2450/2950	58/75	1.6/2.1	0.24/0.29	6.1/7.37	37	2/1
	230	200~240									

- ** = "WB" for wire lead type Ball bearing, or "TB" for terminal type Ball bearing
- 100, 200, 240V or special voltages 12, 24, 28, 38, 42, 48, 380, 440, 480V... 50/60Hz, & any voltages available.
- Dual speed High/Medium 1/2, Medium/Low 2/3 available on request.
- Sinwan reserves the right to change data and improve electrical & mechanical design without notice.

Motor

Motor Type:	Shaded pole induction, inner rotor, 1-phase
Burnout Protection:	Impedance protected
IP Protection:	

Mechanical

Frame:	Aluminum die-cast, black color
Impeller:	5 blades, glass fiber reinforced plastic, rated UL94V-0
Bearing:	Two ball bearings. or sleeve bearing
Rotation:	CCW view from label side
Connection:	Wire lead or terminal flat pin connecting
Weight:	370 g (0.82 Lbs)

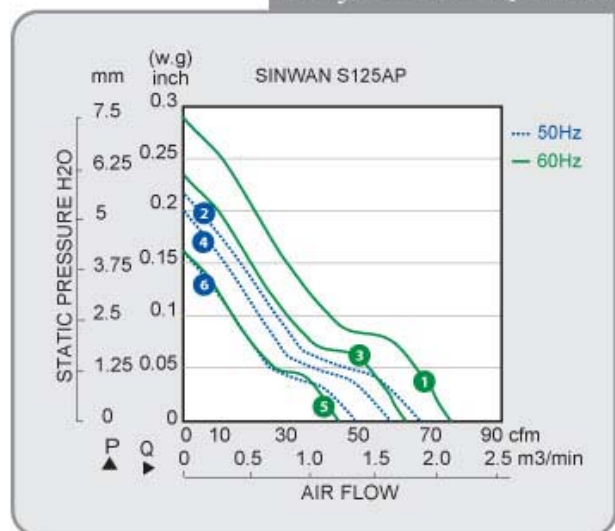
Electrical

Dielectric Strength:	Over 1 min.at 1,500 VAC, 0.5mA, 50/60 Hz
Insulation Resistance:	Over 100 MΩ at DC 500V
Signal Output:	

Environment

Operating Temp:	Non-condensing ball bearing (-20C~+80C), sleeve (-10~+40C)
Storage Temp:	
Life Expectancy:	Ball bearing 80K hours at 45C, 45K hours at 60C

Performance P-Q Curves



Nomenclature

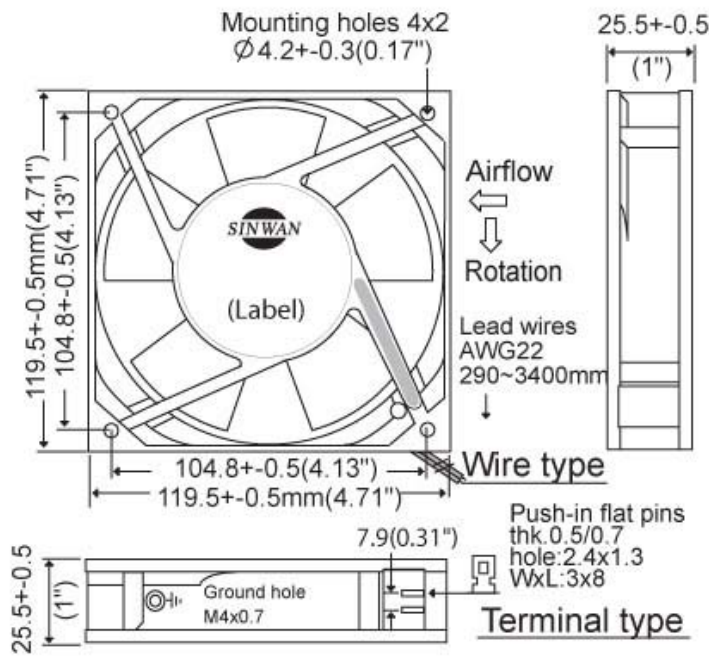


Dual Voltage



Multiple Speed

► Outline Dimensions



Relevant products



Metal Fan Guard
 G109-15A, G109-15B,
 G109-17



Plastic Fan Guard
 G119P2, G119P4, G120P,
 G120P2, G120P25F,
 G120P4



Plastic Fan Filter
 GRM120-30, GRM120-45



Metal Fan Screen
 MF120S-30N



http://www.sinwan.com.tw
 Email: info@sinwan.com.tw
SINWAN