



• AC • S109AP



# 120x120x38.5mm / 4.7x1.5inch

## 105~43 CFM

Axial Plastic Impeller

Model No	Rated Volt	Voltage Range	Freq	Input Power	Ref. Speed	Max. Airflow		Max. Static Pressure		Noise Level	PQ
	VAC	VAC	Hz	Watt	RPM	CFM	m3/min	Inch/H2O	mm	db(A)	
S109AP-11-1**	115	100~120	50/60	17/15	2650/3000	90/105	2.5/3	0.29/0.31	7.37/7.87	42	2/1
S109AP-11-2**	115	100~120	50/60	13/11	2400/2200	77/71	2.2/2	0.21/0.18	5.33/4.57	35	4/3
S109AP-11-3**	115	100~120	50/60	10/8	2100/1700	66/53	1.9/1.5	0.17/0.13	4.32/3.3	27	6/5
S109AP-22-1**	230	200~240	50/60	17/15	2650/3000	90/105	2.5/3	0.29/0.31	7.37/7.87	42	2/1
S109AP-22-2**	230	200~240	50/60	13/11	2400/2200	77/71	2.2/2	0.21/0.18	5.33/4.57	35	4/3
S109AP-22-3**	230	200~240	50/60	10/8	1900/1200	62/43	1.8/1.2	0.17/0.13	4.32/3.3	26	6/5
S109AP-24-1**	240	240~260	50/60	17/15	2650/3000	90/105	2.5/3	0.29/0.31	7.37/7.87	42	2/1
S109AP-24-2**	240	240~260	50/60	13/11	2350/2200	75/71	2.1/2	0.21/0.18	5.33/4.57	35	4/3
S109AP-24-3**	240	240~260	50/60	10/8	1900/1200	62/43	1.8/1.2	0.17/0.13	4.32/3.3	26	6/5
S109AP-4-1**	24	24~26	50/60	17/15	2600/2950	90/103	2.5/2.9	0.29/0.31	7.37/7.87	41	2/1
S109AP-38-1**	380	380~420	50/60	17/15	2600/2950	90/103	2.5/2.9	0.29/0.31	7.37/7.87	41	2/1
S109AP-44-1**	440	440~480	50/60	17/15	2600/2950	90/103	2.5/2.9	0.29/0.31	7.37/7.87	41	2/1
S109AP-11/22-1**	115	100~120	50/60	17/15	2600/3000	90/105	2.5/3	0.29/0.31	7.37/7.87	42	2/1
dual voltage	230	200~240									

- \*\* = "WB" for wire lead type Ball bearing, or "TB" for terminal type Ball bearing
- 100, 200, 240V or special voltages 12, 24, 28, 38, 42, 48, 380, 440, 480V... 50/60Hz, & any voltages available.
- Dual speed High/Medium 1/2, Medium/Low 2/3 available on request.
- Sinwan reserves the right to change data and improve electrical & mechanical design without notice.

### Motor

Motor Type: Shaded pole induction, inner rotor, 1-phase  
 Burnout Protection: Impedance protected  
 IP Protection:

### Mechanical

Frame: Aluminum die cast, black color(AP)  
 Impeller: 5 blades, glass fiber reinforced plastic, rated UL94V-0  
 Bearing: Two ball bearings. or sleeve bearings  
 Rotation: CCW view from label side  
 Connection: Wire lead or terminal flat pin connecting  
 Weight: 550 g (1.2 Lbs)

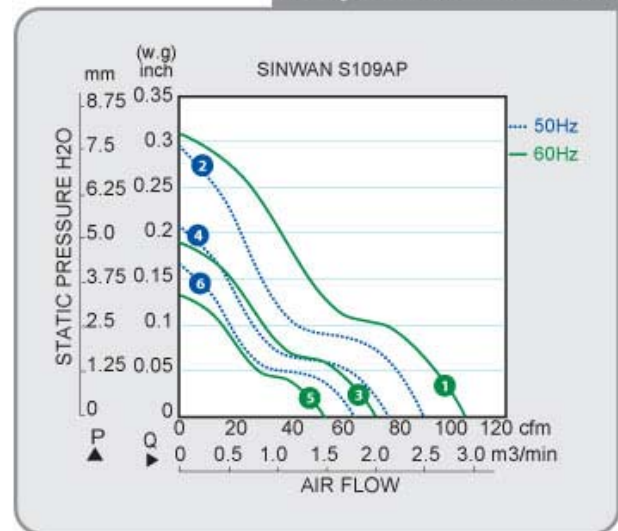
### Electrical

Dielectric Strength: Over 1 min.at 1,500 VAC, 0.5mA, 50/60 Hz  
 Insulation Resistance: Over 100 MΩ at DC 500V  
 Signal Output: tachometer output

### Environment

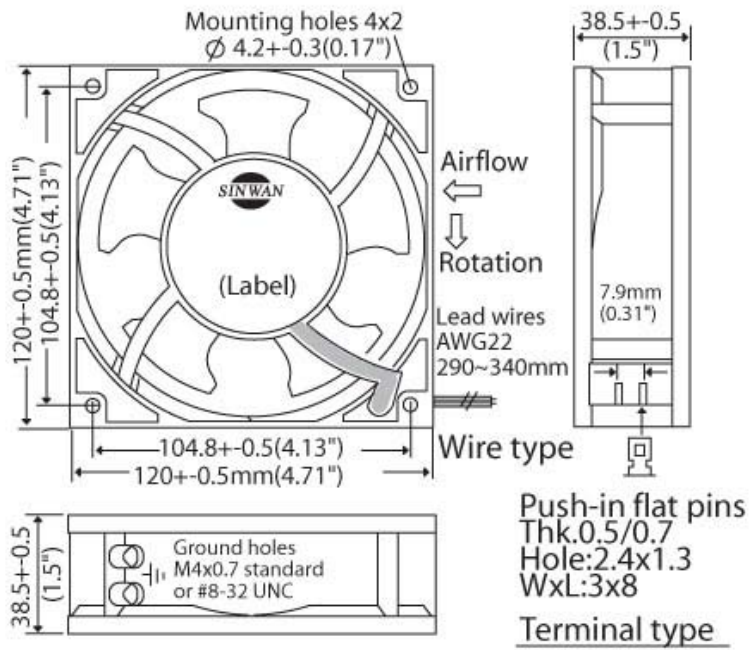
Operating Temp: Non-condensing ball bearing (-20C~+80C), sleeve (-10~+40C)  
 Storage Temp:  
 Life Expectancy: ball bearing 80K hours at 45C, 50K hours at 60C

### Performance P-Q Curves



- Nomenclature
- FIG Function
- Dual Voltage
- Multiple Speed

► Outline Dimensions



Relevant products



Metal Fan Guard  
 G109-15A, G109-15B,  
 G109-17



Plastic Fan Guard  
 G119P2, G119P4, G120P,  
 G120P2, G120P25F,  
 G120P4



Plastic Fan Filter  
 GRM120-30, GRM120-45



Metal Fan Screen  
 MF120S-30N



http://www.sinwan.com.tw  
 Email: info@sinwan.com.tw  
**SINWAN**