

# Air Filter

## Series **AF10 to 60**

### Features

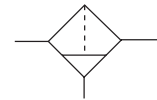
- ▶ Part of new modular FRL range.
- ▶ Replacement elements available.
- ▶ Integral water separator.
- ▶ Mounting bracket available.
- ▶ Port size M5 - 1".
- ▶ Autodrain available.
- ▶ New super efficient 5µm poly-element.



### Standard specifications

Model	AF10	AF20	AF30	AF40	AF40-06	AF50	AF60
Fluid	Air						
Maximum operating pressure	1.0MPa						
Rated Flow	200	1500	3500	5500	6000	12000	13000
Ambient and fluid temperature	-5 to 60°C (with no freezing)						
Nominal filtration rating	5µm						
Bowl material	Polycarbonate						
Bowl guard	Standard						

### Symbol



### How to order

**AF 30 - F 03 BD**

Body size  
10 20 30 40 50 60

Thread type  
Nil\* Metric thread (M5)  
F G

Port size

Symbol	Port size	Body size					
		10	20	30	40	50	60
M5	M5	●	—	—	—	—	—
01	1/8	—	●	—	—	—	—
02	1/4	—	●	●	—	—	—
03	3/8	—	—	●	●	—	—
04	1/2	—	—	—	●	—	—
06	3/4	—	—	—	●	●	—
10	1	—	—	—	—	●	●

\*Only 10 series

### Accessories

Symbol	Description	Applicable model
Nil	—	—
B <sup>Note 1)</sup>	With bracket	AF20 to 60
C	Float type auto drain (N.C.)	AF10 to 60
D	Float type auto drain (N.O.)	AF30 to 60

Note 1) Bracket is not assembled and is supplied loose at the time of shipment.

\* When more than one specification is required, indicate in ascending alphanumeric order.

◎: Combination available

○: Varies depending on the model

□: Combination not available

### Accessory/Optional specification combinations

Accessory/Optional specifications	Combination	Symbol	Accessory			Applicable filter		
			B	C	D	AF10	AF20	AF30 to 60
Accessories	With bracket	B	□	◎	○	□	◎	◎
	Float type auto drain (N.C.)	C	○	□	□	◎	◎	◎
	Float type auto drain (N.O.)	D	◎	□	□	□	□	◎

NOTE:) Contact SMC for other possible options, like metal bowls.

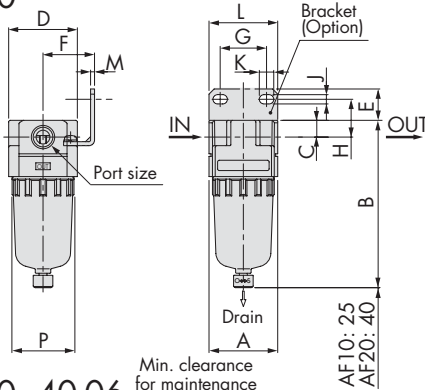
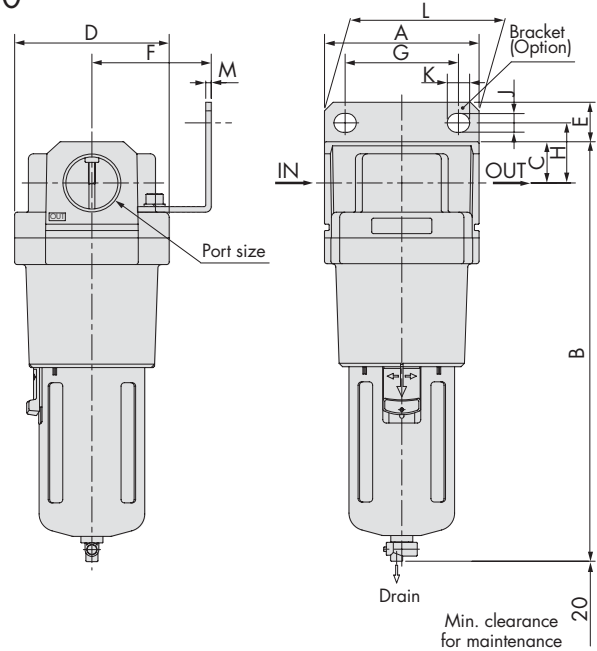
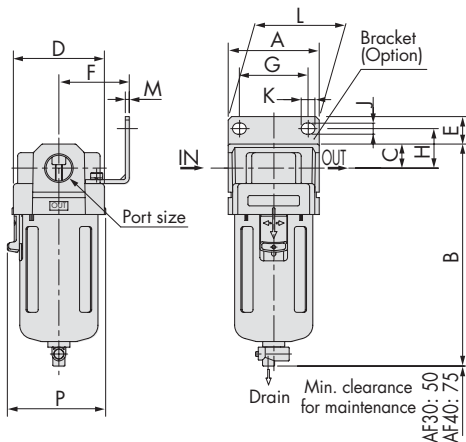
### Accessory part no.

Accessory	Applicable model	AF10	AF20	AF30	AF40	AF40-06	AF50	AF60
		Bracket assembly <sup>Note 1)</sup>	—	AF20P-050AS	AF30P-050AS	AF40P-050AS	AF40P-070AS	AF50P-050AS
Float type <sup>Note 2)</sup> auto drain <sup>Bowl Ass'y</sup>	N.O.	—	—	AD38	AD48	AD48	AD48	AD48
	N.C.	AD17	AD27	AD37	AD47	AD47	AD47	AD47

Note 1) Assembly includes a bracket and 2 mounting screws.

Note 2) Minimum operating pressure: N.O. type-0.1MPa; N.C. type-0.1MPa (AD17/27) and 0.15MPa (AD37/47).

Air Preparation

**Dimensions**
**AF10, 20**

**AF50, 60**

**AF30, 40, 40-06**


Applicable model	AF10, AF20	AF30, AF40, AF40-06, AF50, AF60
Optional specifications	With auto drain (N.C.)	With auto drain (N.O./N.C.)

Model	Port size	Standard specification					Accessory specification								
		A	B	C	D	P	Bracket mounting size								
							E	F	G	H	J	K	L	M	B
AF10	M5	25	67	7	25	28	—	—	—	—	—	—	—	—	85
AF20	1/8, 1/4	40	97	10	40	—	18	30	27	22	5.4	8.4	40	2.3	115
AF30	1/4, 3/8	53	129	14	53	57	16	41	40	23	6.5	8	53	2.3	170
AF40	1/4, 3/8, 1/2	70	165	18	70	73	17	50	54	26	8.5	10.5	70	2.3	204
AF40-06	3/4	75	169	20	70	73	14	50	54	25	8.5	10.5	70	2.3	208
AF50	3/4, 1	90	245	24	90	—	23	70	66	35	11	13	90	3.2	284
AF60	1	95	258	24	95	—	23	70	66	35	11	13	90	3.2	297

**Air filter replacement parts**

No.	Description	Material	Part no.						
			AF10	AF20	AF30	AF40	AF40-06	AF50	AF60
2	Filter element	Non-woven fabric	AF10P-060S	AF20P-060S	AF30P-060S	AF40P-060S	AF40P-060S	AF50P-060S	AF60P-060S
3	Baffle	PBT	AF10P-040S <sup>Note 1)</sup>	AF20P-040S	AF30P-040S	AF40P-040S	AF40P-040S	AF50P-040S	AF60P-040S
4	Bowl O-ring	NBR	C1SFP-260S	C2SFP-260S	C3SFP-260S	C4SFP-260S	C4SFP-260S	C4SFP-260S	C4SFP-260S
5	Manual bowl assembly	PC	C1SF	C2SF	C3SF <sup>Note 2)</sup>	C4SF <sup>Note 2)</sup>	C4SF <sup>Note 2)</sup>	C4SF <sup>Note 2)</sup>	C4SF <sup>Note 2)</sup>

Note 1) The material of the baffle for AF10 (AF10P-040S) only is POM.

Note 2) Bowl assembly for AF30 to 60 models comes with a bowl guard (steel band material).



CAD CD-ROM AVAILABLE


 CATALOGUE **ES40-42B** AVAILABLE


PDF AVAILABLE ONLINE