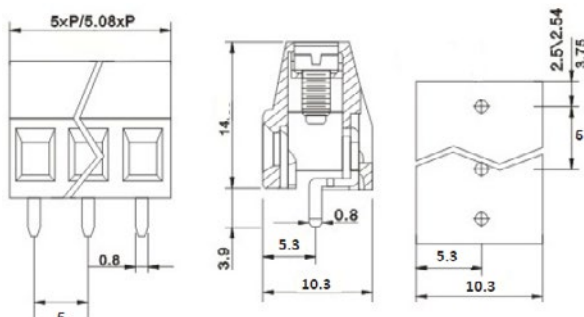


# PCB Terminal Blocks

## 5 mm Pitch, Standard



Standard

2-12 pole interlocking

Guided pin alignment

Withstand Voltage - AC1500V/1min

Screw/Torque - M2.5 Steel, Nickel Plated 0.4Nm

Recommended PCB hole size  $\phi$ 1.5 mm

### SPECIFICATION:

Pitch	5 mm
Termination type	Clamp Terminals/Screw Connection
Connection direction	horizontal
Rated current to EN	10 A
Rated current to UL	10 A
Rated voltage to EN	300 V
Rated voltage to UL	300 V
Connection cross-section	0.32-3.3 mm <sup>2</sup> (22-12 AWG)
Colour	green
Temperature range	-33...+120 °C
Width	10.2 mm
Height	14.35 mm
Material	PA 66, UL94-V0

### PRODUCT RANGE:

Art. Nr.	Poles	Length
RND 205-00034	2	10 mm
RND 205-00035	3	15 mm
RND 205-00036	4	20 mm
RND 205-00037	5	25 mm
RND 205-00038	6	30 mm
RND 205-00039	7	35 mm
RND 205-00040	8	40 mm
RND 205-00041	9	45 mm
RND 205-00042	10	50 mm
RND 205-00043	11	55 mm
RND 205-00044	12	60 mm