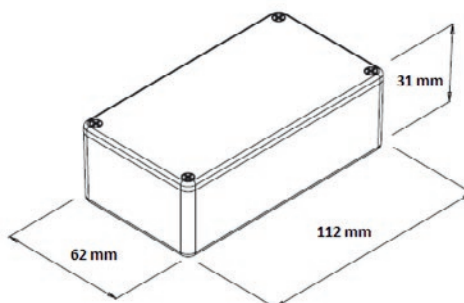
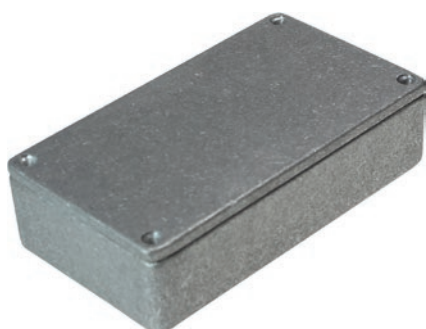


# Diecast Boxes



Metal enclosure grey 112 x 62 x 31 mm Die cast aluminium



## FEATURES:

Highly durable robust aluminium diecast boxes with RFI shielding properties.

Lid & base diecast aluminium to ENAC 44200

Lid mounted by four M3 machine screws

Base, lid & x4 zinc plated M3 screw

Temperature resistant up to 260°C (without gasket)

Highly Durable and shock resistant

Vertical guides for PCB fixing

Optional neoprene gasket for IP65 seal

## SPECIFICATION:

Colour	grey
Material	Die cast aluminium
Length	112 mm
Width	62 mm
Height	31 mm
Protection rating	IP 54
Dimensions L x W x H	112 x 62 x 31 mm

## PRODUCT RANGE:

**Art. no.**

RND 455-00038