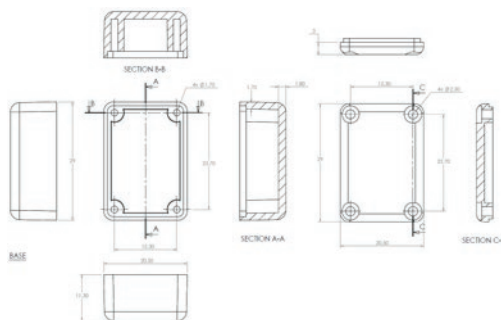


# Potting Boxes with Lid

Plastic enclosure black 29 x 21 x 14 mm ABS/UL94-HB



## FEATURES:

Extensive range of ABS potting boxes for partial or complete potting of electrical components. Supplied with lid.

Encapsulate and protect electronic components

Ideal for partial or complete potting

Moulded in ABS, UL94-HB

Lid mounted by 4x fixing screws

Highly resistant to most chemicals

High rigidity and impact strength

## SPECIFICATION:

|                      |                 |
|----------------------|-----------------|
| Dimensions L x W x H | 29 x 21 x 14 mm |
| Colour               | black           |
| Material             | ABS/UL94-HB     |
| Temperature range    | -10...+60 °C    |

## PRODUCT RANGE:

### Art. no.

RND 455-00022