

Zener diode

SOD-123 22 V 0.5 W

FEATURES:

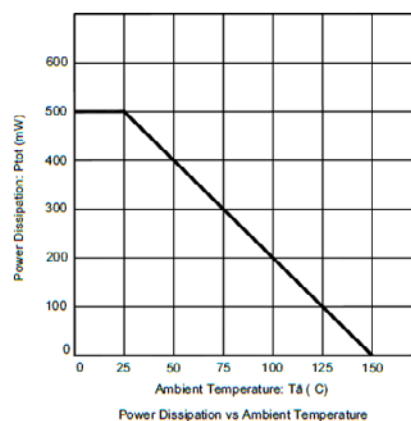
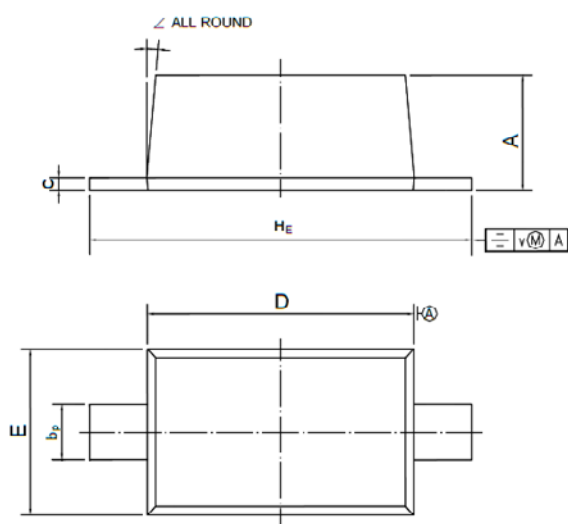
SPECIFICATION:

Zener voltage	22 V
Power dissipation	0.5 W
Housing type	SOD-123
Zener resistance	55 Ω
Thermal resistance	613 K/W
Conducting-state voltage	0.9 V
Reverse current	0.1 μ A@ 15.4 V



Art. Nr.

RND BZT52C22W



UNIT	A	b _p	c	D	E	H _E	v	∠
mm	1.15 1.05	0.6 0.5	0.135 0.100	2.7 2.6	1.65 1.55	3.85 3.55	0.2	5°