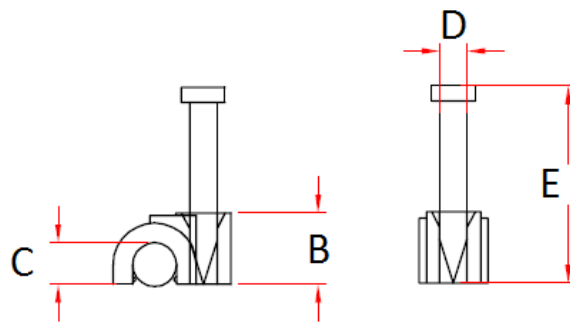


Cable Clamp white Polyethylene (PE)

Cable Clamps with Nail, RND



FEATURES:

Cable clamp with nail

For wire, telephone wire and cable fixing

SPECIFICATION:

Colour	white
Material	Polyethylene (PE)
D	2.5 mm
Shielding	unshielded

PRODUCT RANGE:

Art. Nr.	Clamping range	B	C	E
RND 475-00410	≤4 mm	6.6 mm	4.2 mm	18 mm
RND 475-00411	≤5 mm	7.6 mm	5 mm	18 mm
RND 475-00412	≤7 mm	11 mm	7.5 mm	22 mm
RND 475-00413	≤6 mm	9.6 mm	6.6 mm	18 mm